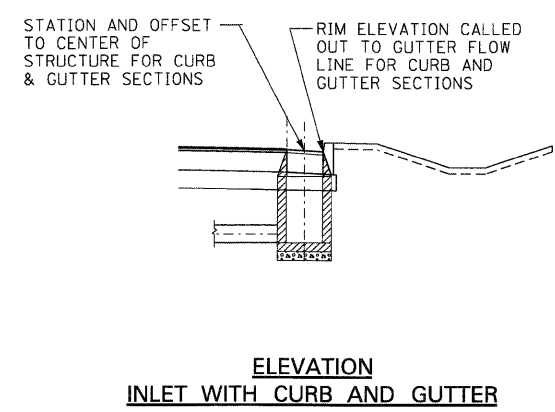
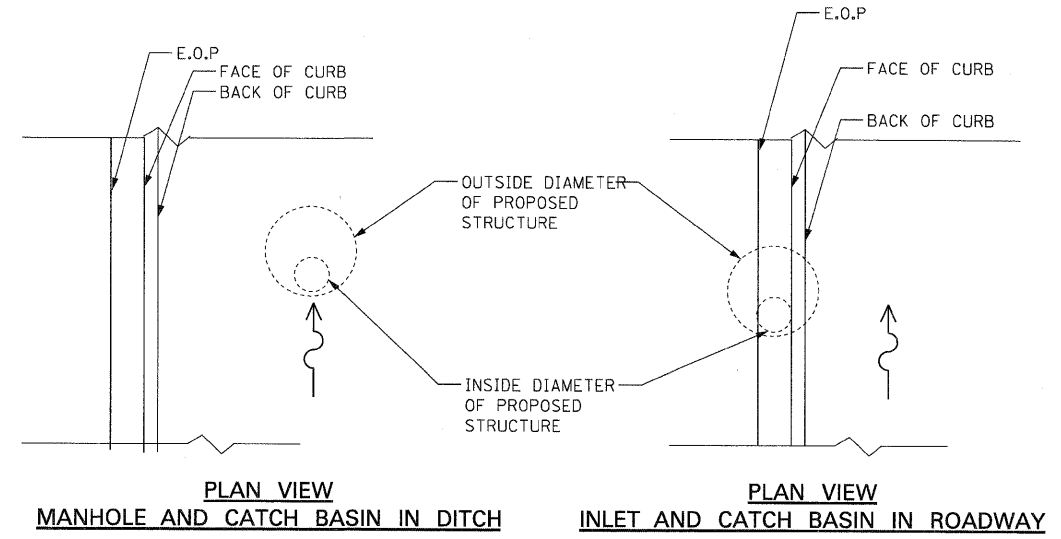
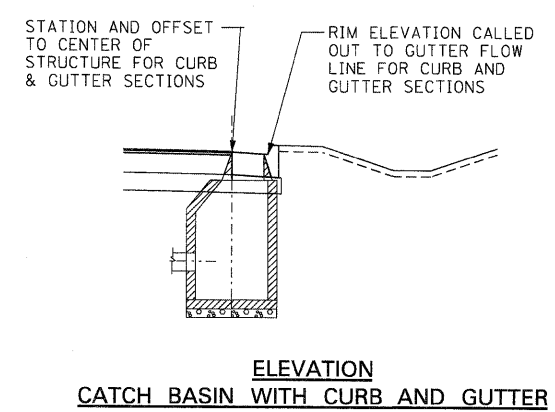


**SEWER PLUG**

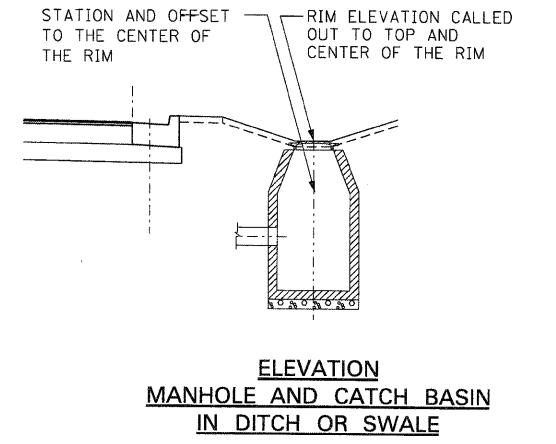
**NOTE:**  
 1. THIS WORK SHALL BE CONSIDERED AS INCLUDED IN THE CONTRACT UNIT PRICE BID FOR THE SEWER REMOVAL ITEMS.



**ELEVATION  
 INLET WITH CURB AND GUTTER**



**ELEVATION  
 CATCH BASIN WITH CURB AND GUTTER**



**ELEVATION  
 MANHOLE AND CATCH BASIN  
 IN DITCH OR SWALE**

D:\BCD\CON-02-P-BORDER\LDON 10-14-2009 16:18:58 BONDHJLD C:\C:\WORKSPACE\BONDHJLD\W\F5-20244.D TRANS-07\2202 20866-00\1\CIVIL\CD\099 ALL CONTRACTS\CONNSHEETS CONTRACT 03\BCD\CON-03-SHT-DRAINAGE2.DGN

FILE NAME =	USER NAME = \$USER*	DESIGNED - MMCG	REVISED -	<b>STATE OF ILLINOIS          DEPARTMENT OF TRANSPORTATION</b> I-70 CONNECTION	<b>DRAINAGE DETAILS          STORM SEWER PLUG          DRAINAGE STRUCTURE PLACEMENT</b>			F.A.P. RTE.	SECTION	COUNTY	TOTAL SHEETS	SHEET NO.
#FILE#	PLOT SCALE = \$SCALE\$	DRAWN - MMCG	REVISED -		SCALE: N.T.S.	SHEET NO. OF SHEETS	STA. TO STA.	9153	82-1K	ST. CLAIR	107	64
	PLOT DATE = \$DATE\$	CHECKED - TKL	REVISED -					CONTRACT NO. 76C40				
		DATE - 10/09/09	REVISED -					FED. ROAD DIST. NO. ILLINOIS FED. AID PROJECT				

