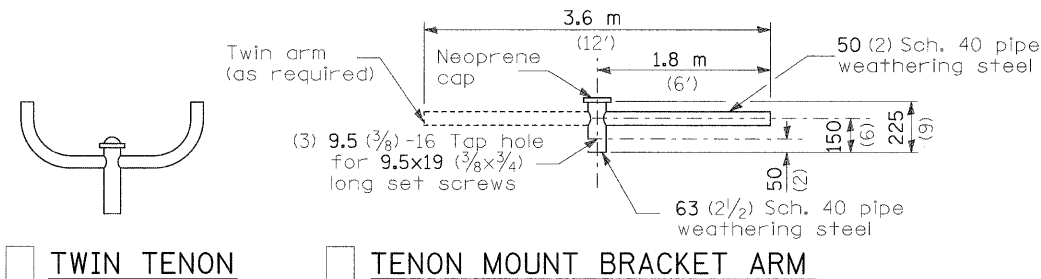
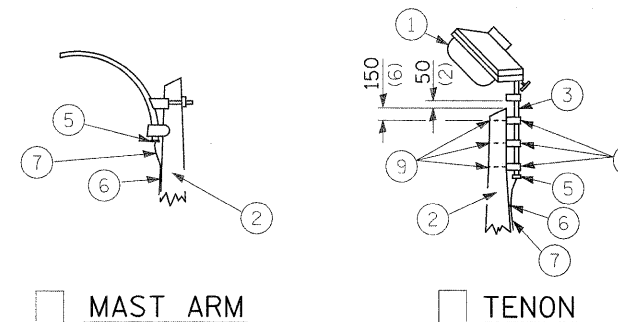
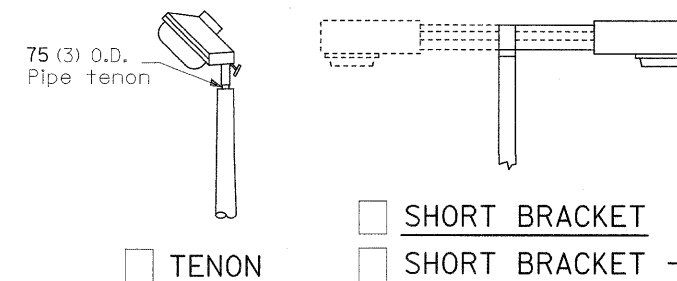
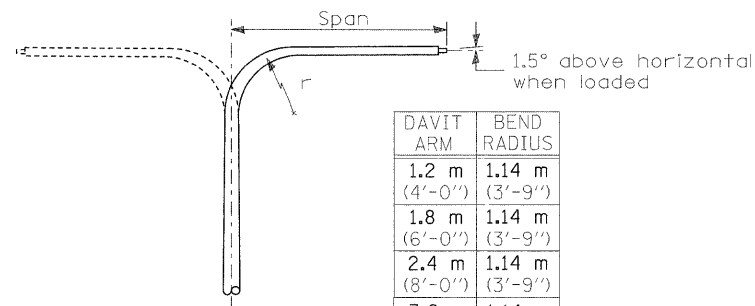


The contractor shall furnish and install a light pole identification of each new light pole, as shown above, incidental to the respective light pole pay item. The numerals shall be 100 (4) series "C", black, screened on silver-white type B pressure sensitive reflective sheeting conforming to the requirements of Section 1091 of the Standard Specifications. The numerals shall conform to the FHWA "Standard Alphabets for Highway Signs".

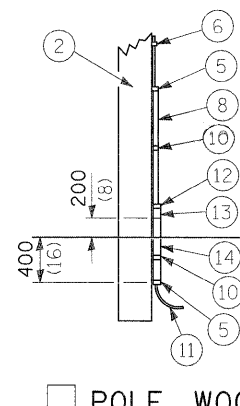
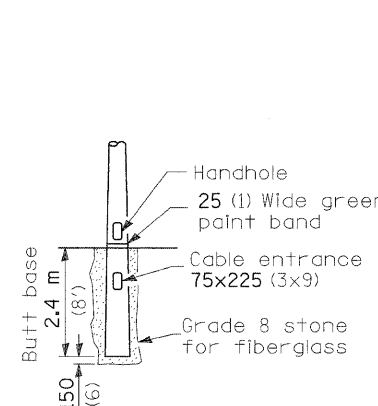
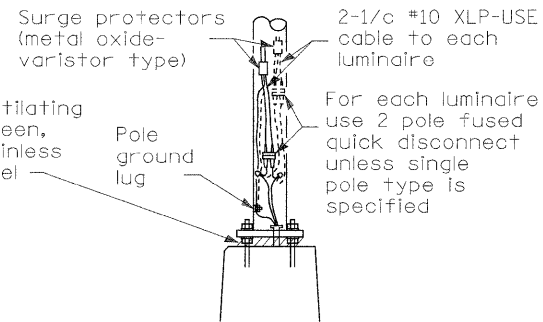
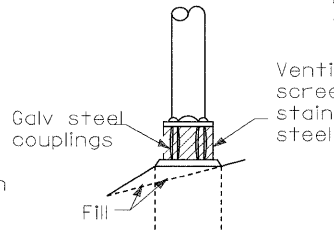
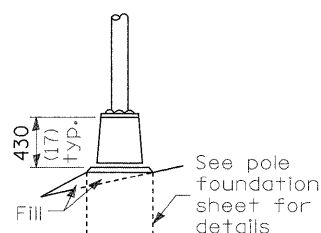
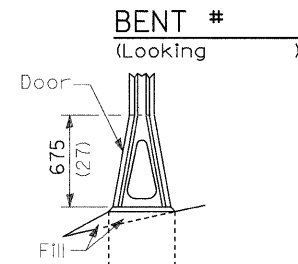
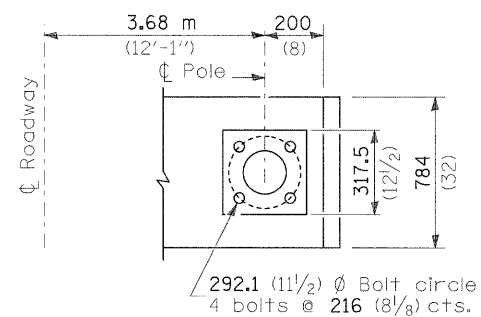
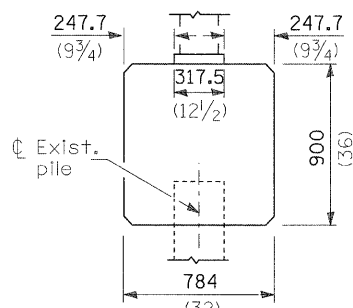
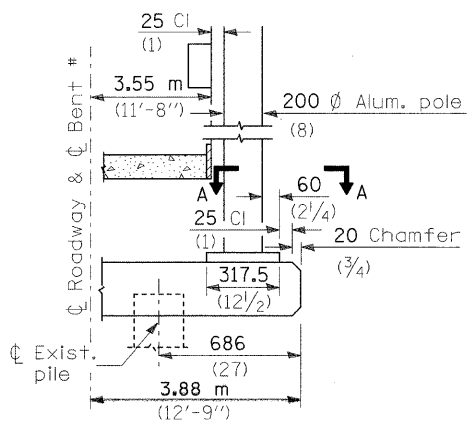
The light pole identification shall be applied to sign base material as specified in Article 1069.06 of the Standard Specifications, visible to approaching traffic in accordance with Highway Standard 720001.



NOTE: Single or twin arm assembly shall be tilted 3° above horizontal.



- ① Luminaire
- ② Wood pole, class 3 or better
- ③ 63 (2 1/2) Galv. steel conduit
- ④ Single offset pole band
- ⑤ Conduit bushing
- ⑥ Cable clamps on 600 (24) centers
- ⑦ 2/c #12 Type use cable
- ⑧ 25 (1) Galv. steel conduit 3.0 m (10') in length
- ⑨ 16 (5/8) Ø hot dipped galvanized bolt with flat washer & locknut (3 req'd)
- ⑩ Conduit clamps on 900 (36) centers
- ⑪ Unit duct
- ⑫ Threaded reducer
- ⑬ "C" Condulet, threaded
- ⑭ 40 (1 1/2) Galv. steel conduit for 1 unit duct or 75 (3) galv. steel conduit for 2 or 3 unit ducts.



POLE LENGTH	DEPTH IN GROUND
19.8 m (65')	3.6 m (12')
18.0 m (60')	3.0 m (10')
16.8 m (55')	2.7 m (9')
16.0 m (50')	2.4 m (8')
13.7 m (45')	2.1 m (7')
12.0 m (40')	2.0 m (6.5')
10.7 m (35')	1.8 m (6')
9.0 m (30')	1.7 m (5.5')

All dimensions are in millimeters (inches) unless otherwise shown.

DRAFT COPY  
not for distribution

DATE	REVISIONS
	Corrected 6/24/09

POLE STANDARDS

DRAFT

LGTO08.M32