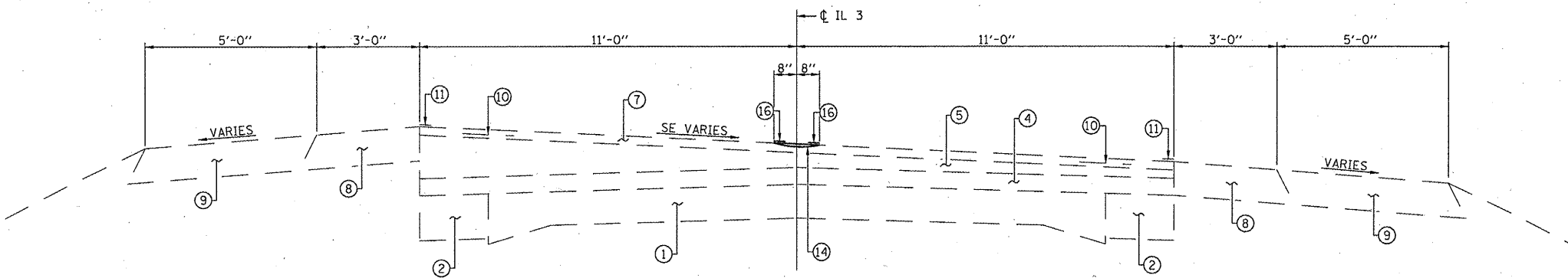


**TYPICAL SECTION #2 (IL 3)**  
 STA. 301+50.34 TO STA. 309+79.45  
 STA. 309+79.45 TO STA. 326+69.24 OMISSION  
 STA. 342+93.45 TO STA. 351+39.63



**TYPICAL SECTION #3 (IL 3)**  
 STA. 326+69.24 TO STA. 342+93.45

- ① EX PCC PVMT
- ② EX PCC WIDENING
- ③ EX HMA WIDENING
- ④ EX HMA RESURFACING
- ⑤ EX LEVELING BINDER, 3/4" MIN
- ⑥ EX HMA BINDER COURSE
- ⑦ EX HMA SURF CRSE, 1 1/2"
- ⑧ EX HMA SHLD, 6"
- ⑨ EX AGG SHLD, TY B
- ⑩ EX STRIP REFL CRACK CONTROL TREATMENT
- ⑪ EX PVMT MARKING - LINE 4"
- ⑫ PR HMA SHLD, 8"
- ⑬ PR AGG WEDGE SHLD, TY B
- ⑭ PR RUMBLE STRIP
- ⑮ PR SHLD RUMBLE STRIP
- ⑯ PR PAINT PVMT MARKING - LINE 4"

FILE NAME =	USER NAME = #USER#	DESIGNED -	REVISED -
#FILE#		DRAWN -	REVISED -
	PLOT SCALE = #SCALE#	CHECKED -	REVISED -
	PLOT DATE = #DATE#	DATE -	REVISED -



**Allen Henderson & Associates, Inc.**  
 Civil and Structural Engineers Springfield, IL  
 62703 Phone: (217)544-8033 IL Design Firm  
 No. 184-001907

**TYPICAL ROADWAY CROSS SECTIONS (IL RTE 3)**  
 SCALE: NONE SHEET NO. 5 OF 6 SHEETS STA. 301+50.34 TO STA. 351+39.63

F.A.P. RTE.	SECTION	COUNTY	TOTAL SHEETS	SHEET NO.
14	DIST 8 SHOULDER 2010-1	MONROE	6	5
FED. ROAD DIST. NO. ILLINOIS FED. AID PROJECT			CONTRACT NO. 76038	