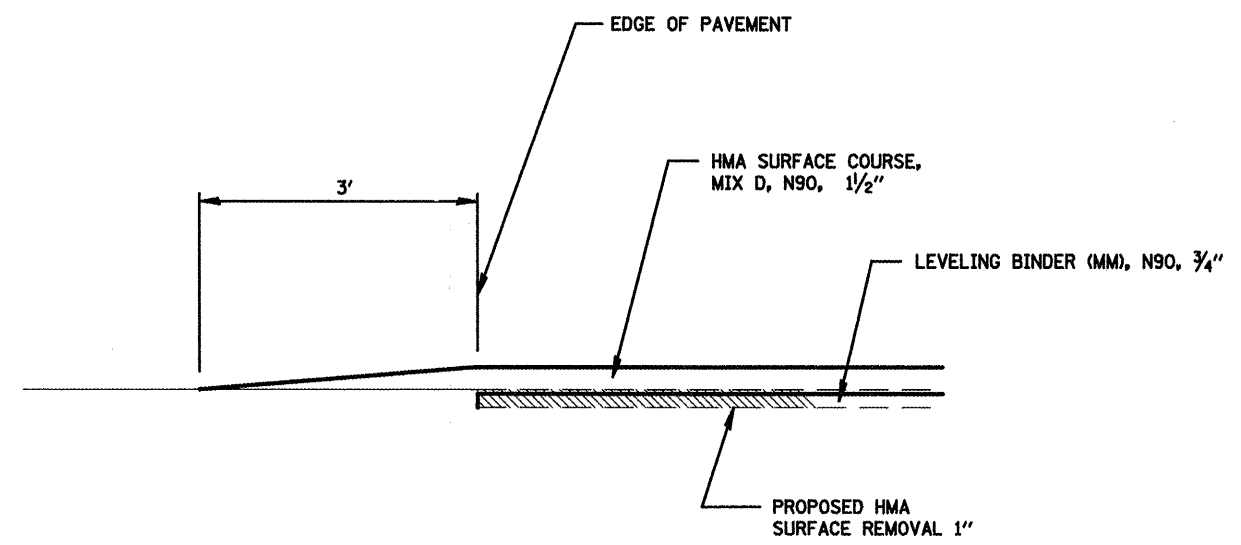
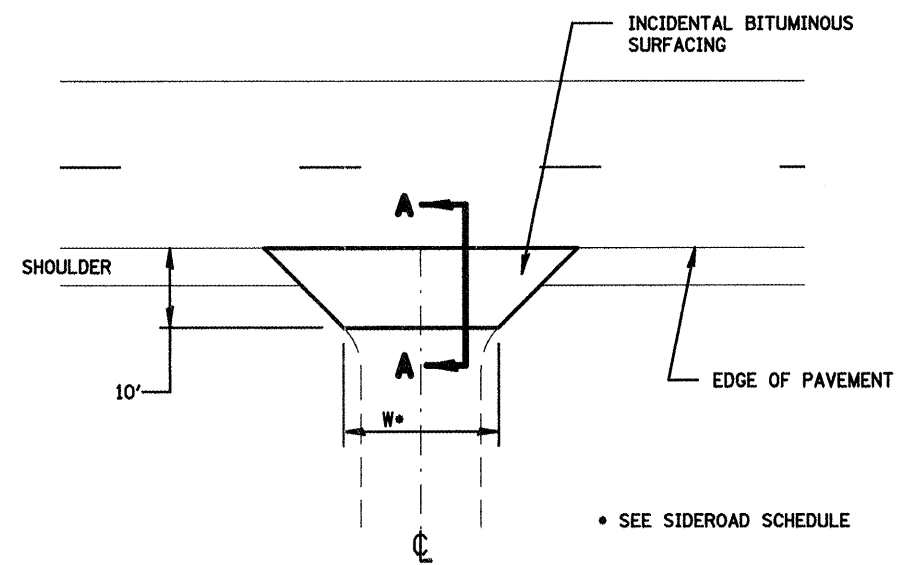


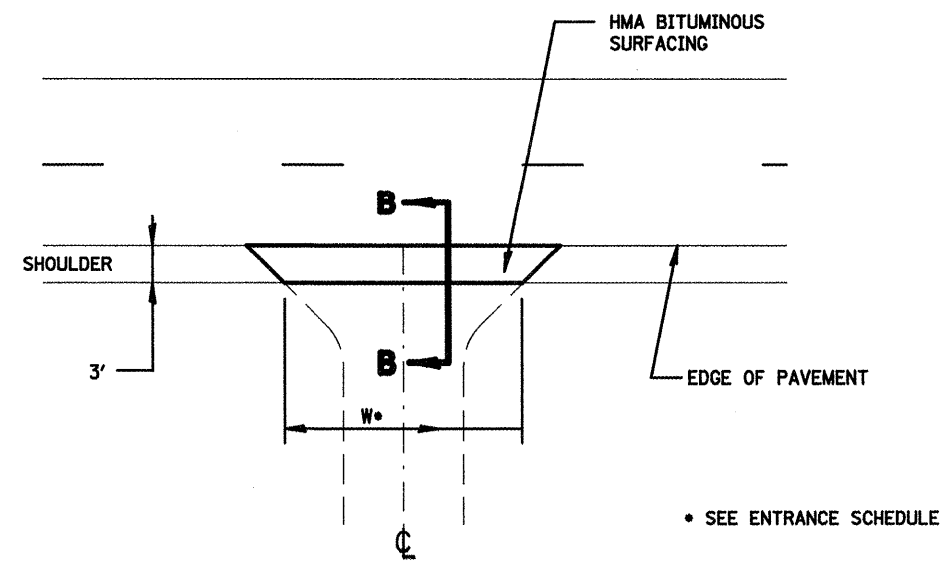
SECTION A-A



SECTION B-B



SIDEROAD DETAIL



ENTRANCE DETAIL

FILE NAME =	USER NAME = watersle	DESIGNED -	REVISD -
ca\pwwork\PWIDOT\WATERSLE\d8175216\d876d66-sh-t-plan.dgn		QQX	---
PLOT SCALE = 100.0006' / IN.		DRAWN -	REVISD -
PLOT DATE = 1/28/2010		---	---
		CHECKED -	REVISD -
		---	---
		DATE -	REVISD -
		---	---

STATE OF ILLINOIS
DEPARTMENT OF TRANSPORTATION

SIDEROAD/ENTRANCE DETAILS

SCALE: SHEET NO. 1 OF 3 SHEETS STA. TO STA.

F.A.U. RTE.	SECTION	COUNTY	TOTAL SHEETS	SHEET NO.
9079	500RS-3	MADISON	23	20
CONTRACT NO. 76D66				
FED. ROAD DIST. NO. ILLINOIS FED. AID PROJECT				