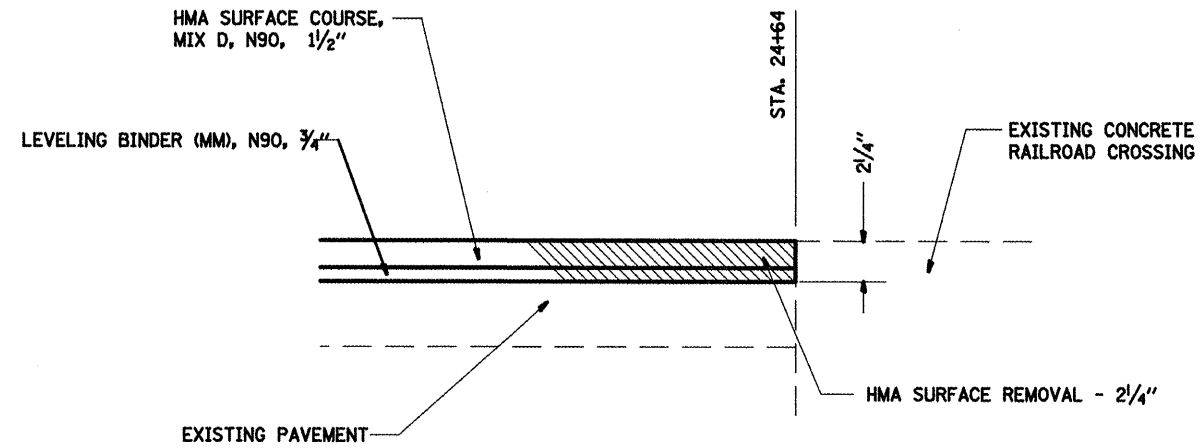
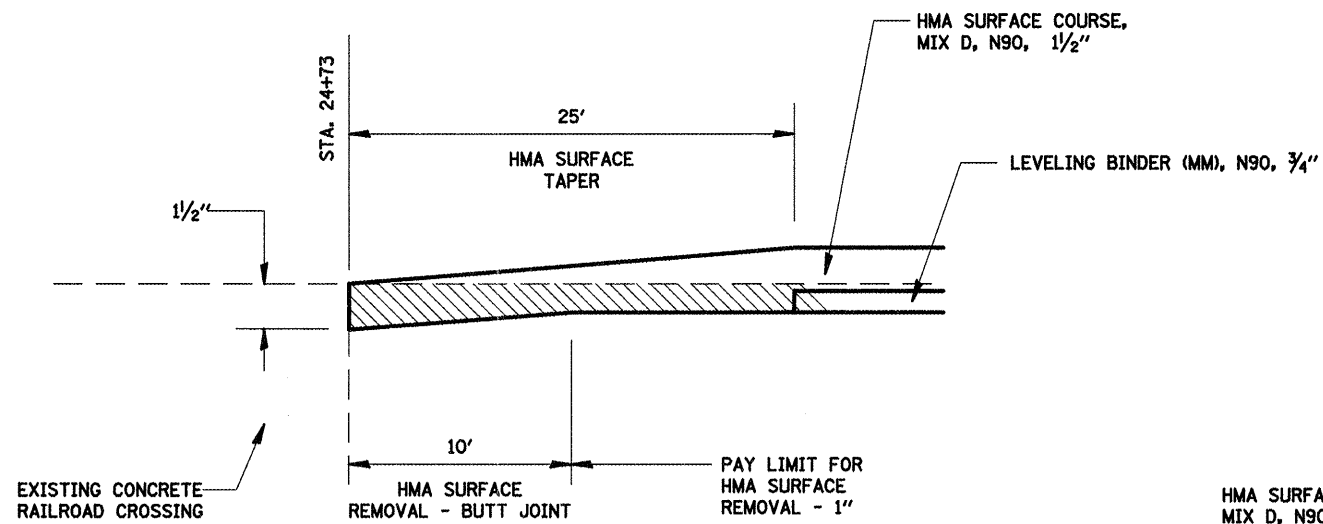


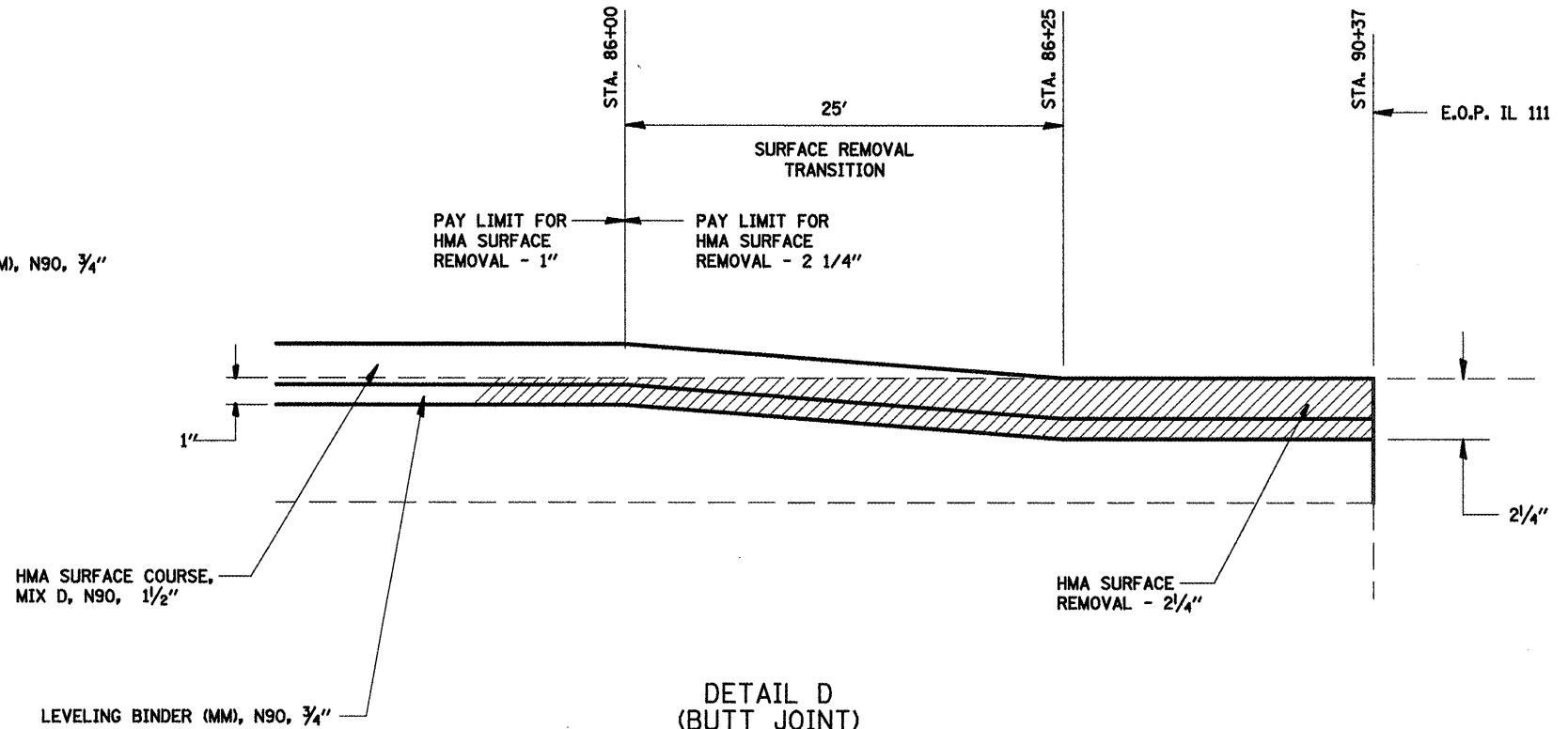
DETAIL A
(BUTT JOINT)



DETAIL B
(BUTT JOINT)



DETAIL C
(BUTT JOINT)



DETAIL D
(BUTT JOINT)

FILE NAME =	USER NAME = watersle	DESIGNED - QDX	REVISED -	STATE OF ILLINOIS DEPARTMENT OF TRANSPORTATION	SIDEROAD/ENTRANCE DETAILS	F.A.U. RTE.	SECTION	COUNTY	TOTAL SHEETS	SHEET NO.	
ca:\pwwork\pwwid\DOT\WATERSLE\d8175216\d8	8d66-ahp-plan.dgn	DRAWN -	REVISED -			9079	500RS-3	MADISON	23	21	
	PLOT SCALE = 100.0000' / 1"	CHECKED -	REVISED -			CONTRACT NO. 76D66					
	PLOT DATE = 1/28/2010	DATE -	REVISED -			FED. ROAD DIST. NO. ILLINOIS FED. AID PROJECT					