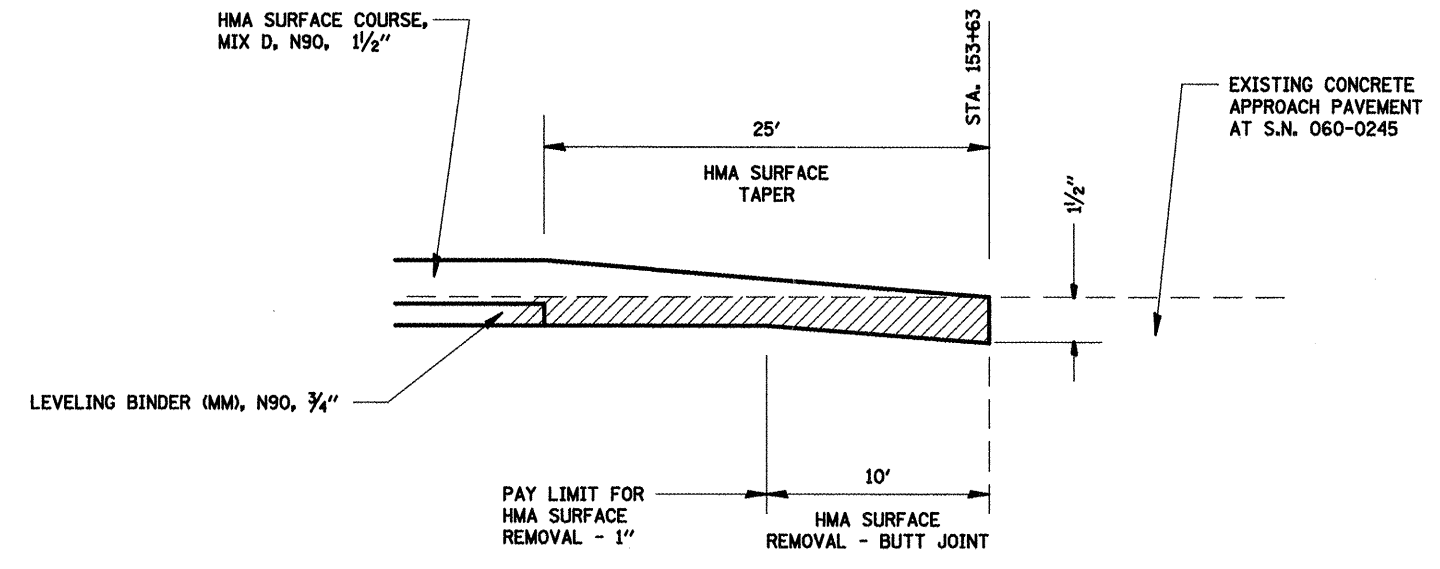
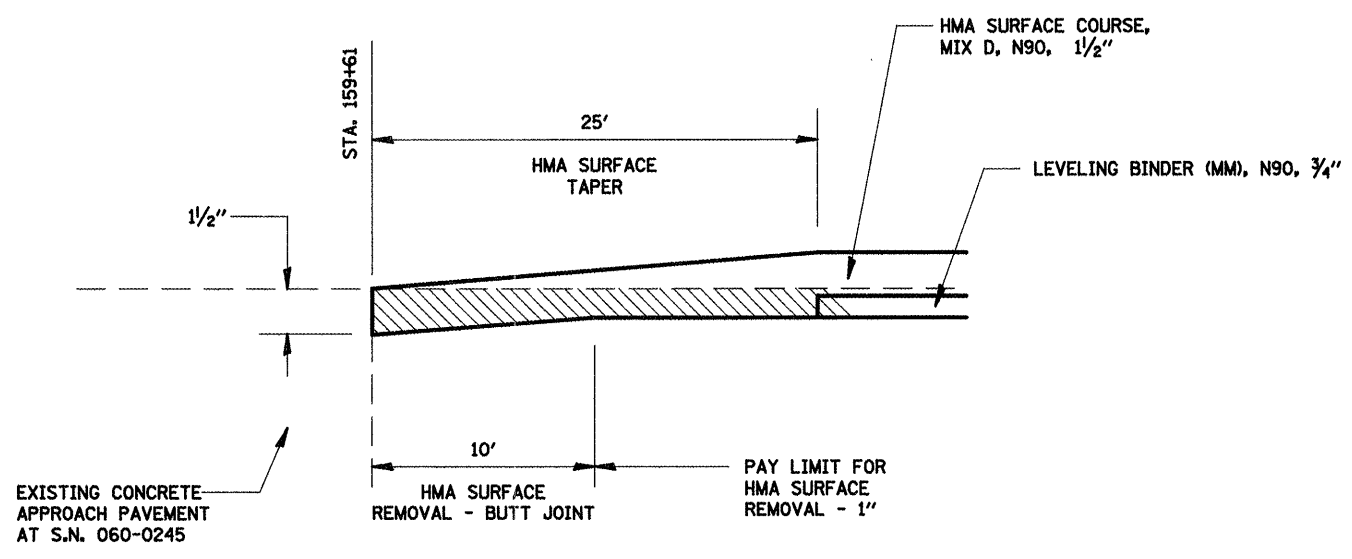


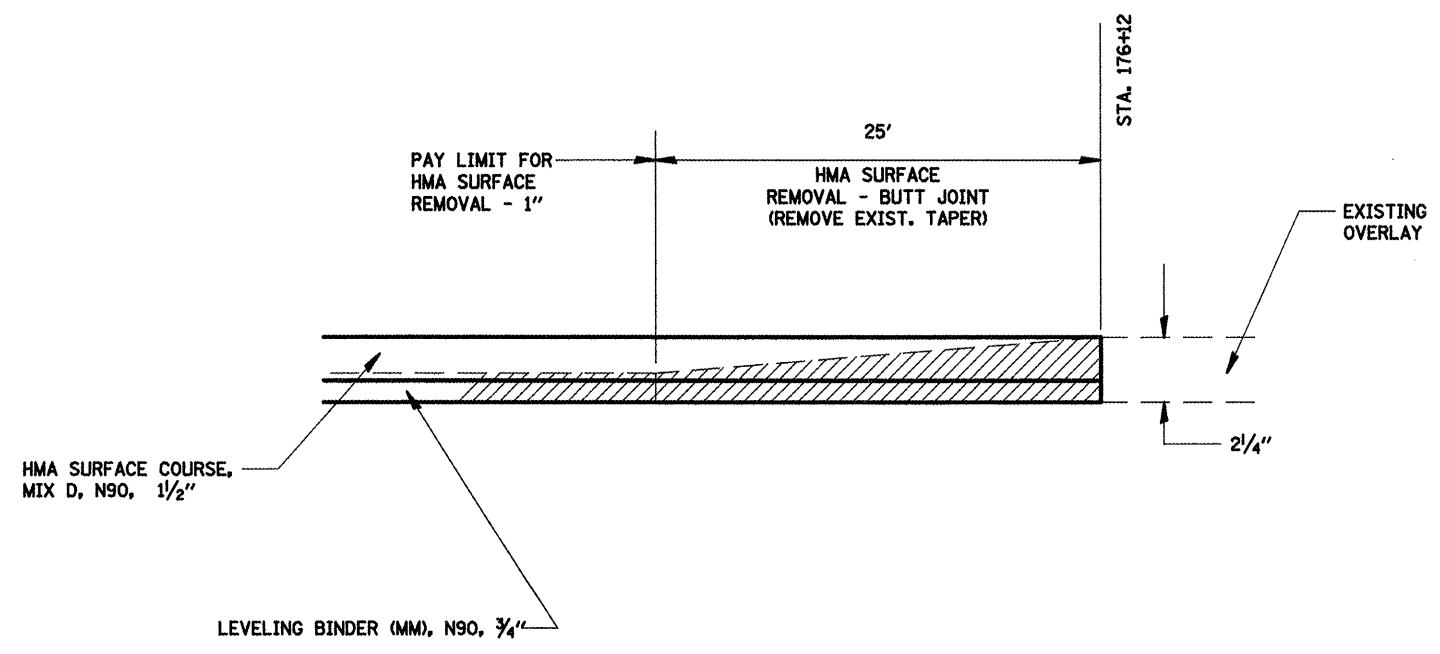
DETAIL E
(BUTT JOINT)



DETAIL F
(BUTT JOINT)



DETAIL G
(BUTT JOINT)



DETAIL H
(BUTT JOINT)

FILE NAME =	USER NAME = waterslo	DESIGNED - 00%	REVISED -	STATE OF ILLINOIS DEPARTMENT OF TRANSPORTATION	SIDEROAD/ENTRANCE DETAILS	F.A.U. RTE.	SECTION	COUNTY	TOTAL SHEETS	SHEET NO.	
ca\pwwork\VPWIDOT\WATERSLE\d0175216\d878d66-ahp-plan.dgn		DRAWN -	REVISED -			9079	500RS-3	MADISON	23	22	
PLOT SCALE = 100.0002' / IN.		CHECKED -	REVISED -			CONTRACT NO. 76D66					
PLOT DATE = 1/28/2010		DATE -	REVISED -			SCALE: _____ SHEET NO. 3 OF 3 SHEETS STA. _____ TO STA. _____ FED. ROAD DIST. NO. _____ ILLINOIS FED. AID PROJECT					