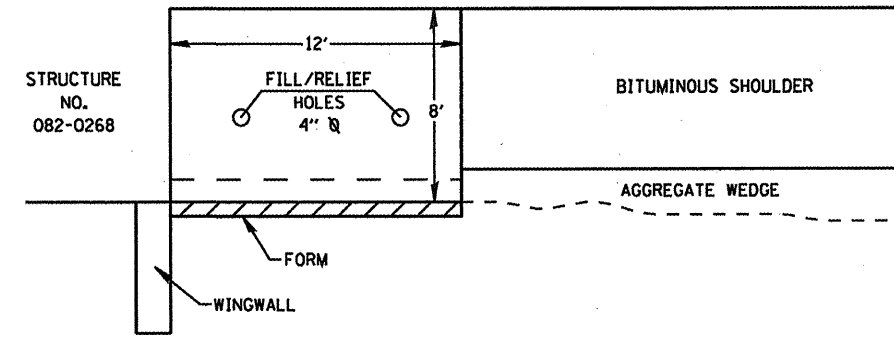
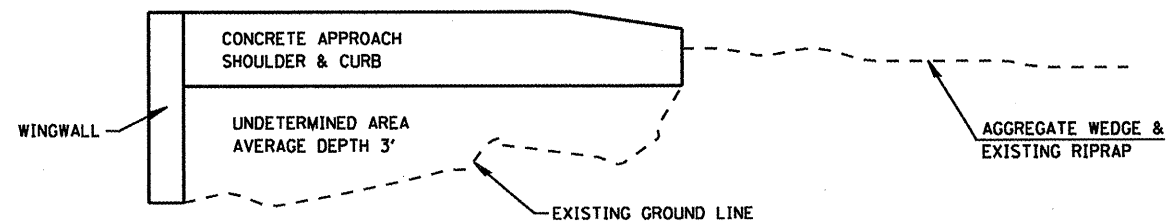


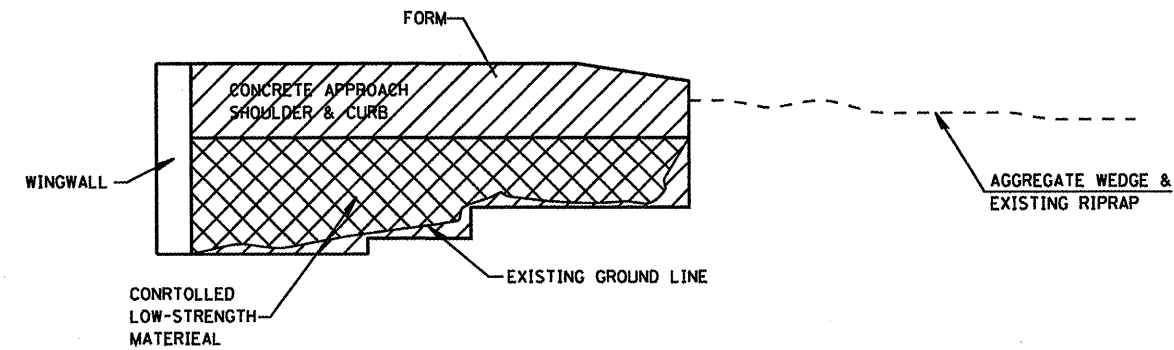
PLAN VIEW
BEFORE FORMING



PLAN VIEW
AFTER FORMING



SECTION VIEW
BEFORE FORMING



SECTION VIEW
AFTER FORMING

STA 414+92 TO STA 415+17 LT

1. CONTRACTOR IS TO FORM AND SEAL AREA INDICATED.
2. FILL/RELIEF HOLE TO BE DRILLED AS NECESSARY TO ALLOW THE FLOW OF GROUT MIXTURE AND RELEASE OF AIR.
3. ANY EXPENSES ASSOCIATED WITH THE DRILLING OF FILL/RELIEF HOLES TO BE INCLUDED IN "CONTROLLED LOW-STRENGTH MATERIAL".

(NO SCALE)

FILE NAME *	USER NAME * oifordb	DESIGNED -	REVISED -
ca\ps_work\psidot\oifordb\08174224\0878	07-shr-plan.dgn	DRAWN - TRF	REVISED -
	PLOT SCALE = 48.0000' / IN.	CHECKED -	REVISED -
	PLOT DATE = 3/2/2010	DATE -	REVISED -

STATE OF ILLINOIS
DEPARTMENT OF TRANSPORTATION

MISC. DETAIL

SCALE: NONE SHEET NO. OF SHEETS STA. TO STA.

F.A.J. RTE.	SECTION	COUNTY	TOTAL SHEETS	SHEET NO.
32RS-3	31RS-3, IRS-1	ST. CLAIR	56	43
FED. ROAD DIST. NO.			ILLINOIS FED. AID PROJECT	
			CONTRACT NO. 76069	