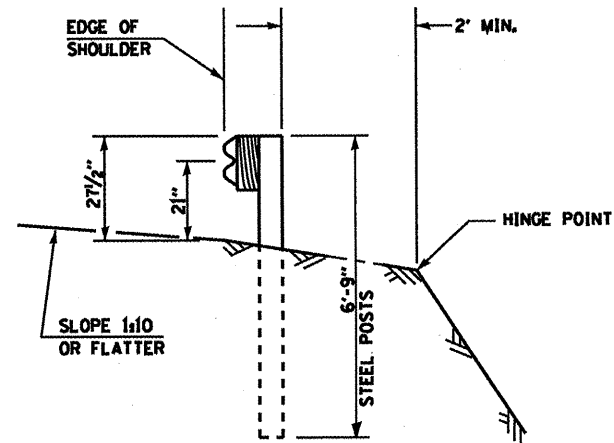
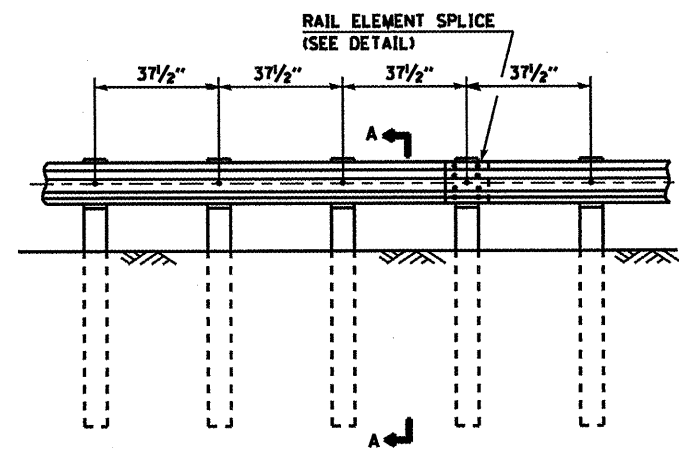


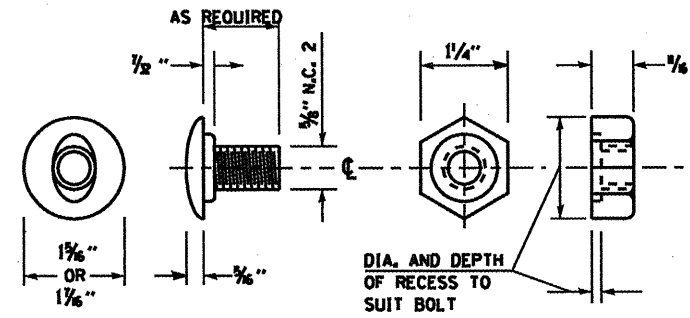
TYPE A
6'-3" TYPICAL POST SPACING



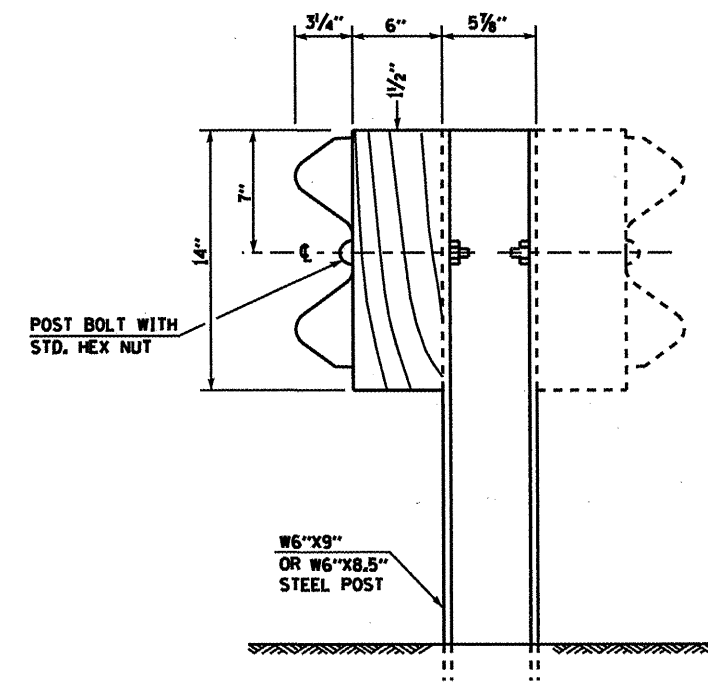
SECTION A-A



TYPE B
37 1/2" CLOSED POST SPACING



POST OR SPLICE BOLT & NUT



STEEL POST CONSTRUCTION

GENERAL NOTES

ALL SLOPE RATIOS ARE EXPRESSED AS UNITS OF VERTICAL DISPLACEMENT TO UNITS OF HORIZONTAL DISPLACEMENT (V:H).

ALL DIMENSIONS ARE IN INCHES UNLESS OTHERWISE SHOWN.

THE EXISTING STEEL POSTS MAY BE DRILLED TO MATCH THE BOLT PATTERN SHOWN HEREIN FOR THE WOOD BLOCK-OUT, OR A NEW STEEL POST SHALL BE PROVIDED.

THIS DETAIL IS APPLICABLE TO THE GUARDRAIL SYSTEM USED PRIOR TO JANUARY 1, 2007.

(NO SCALE)

FILE NAME *	USER NAME * aifordb	DESIGNED -	REVISED -	STATE OF ILLINOIS DEPARTMENT OF TRANSPORTATION	GUARDRAIL DETAILS		F.A.U. RTE.	SECTION	COUNTY	TOTAL SHEETS	SHEET NO.		
cd:\pwork\p\sidot\alfordb\08174224\0876169-shr-plan.dgn		DRAWN - TRF	REVISED -				633E/99M	32RS-3, 3IRS-3, IRS-1	ST. CLAIR	56	44		
PLOT SCALE = 48.0000' / IN.		CHECKED -	REVISED -				SCALE: NONE		SHEET NO. OF SHEETS		STA. TO STA.	FED. ROAD DIST. NO.	ILLINOIS FED. AID PROJECT
PLOT DATE = 3/2/2010		DATE -	REVISED -									CONTRACT NO. T6069	