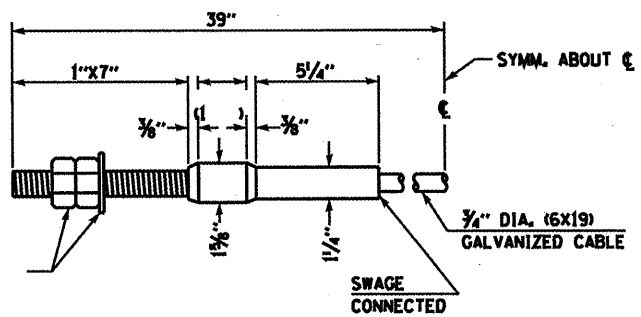
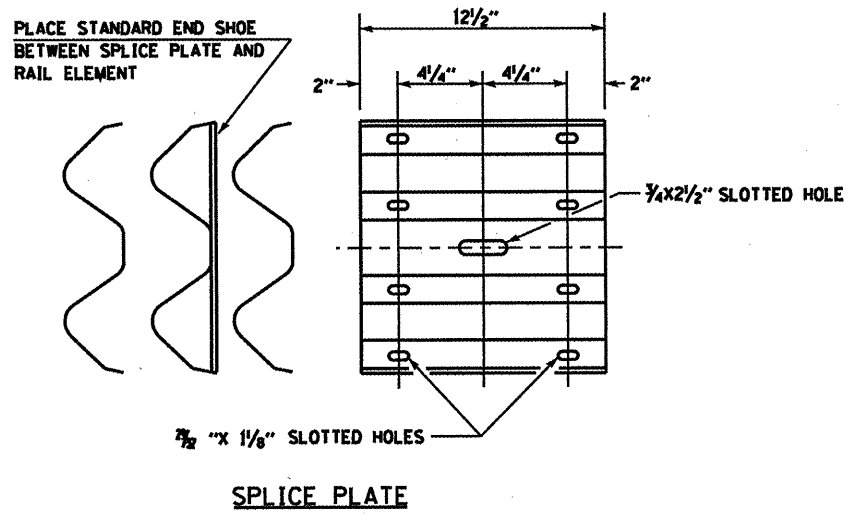
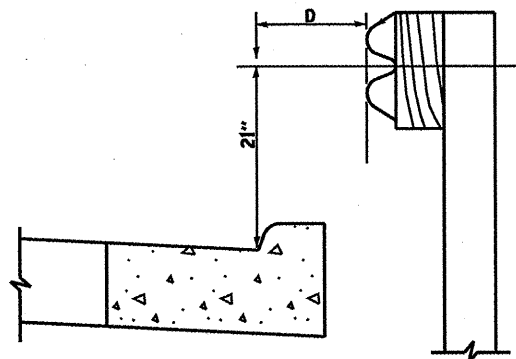
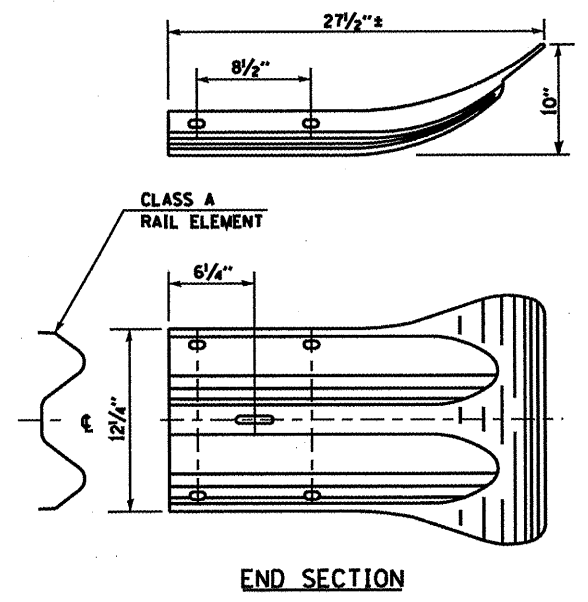


**ANCHOR PLATE T DETAILS**  
 NOTE ANCHOR PLATE T SHALL BE USED TO ATTACH CABLE ASSEMBLY TO GUARDRAIL WHEN REQUIRED ON TRAFFIC BARRIER TERMINALS.



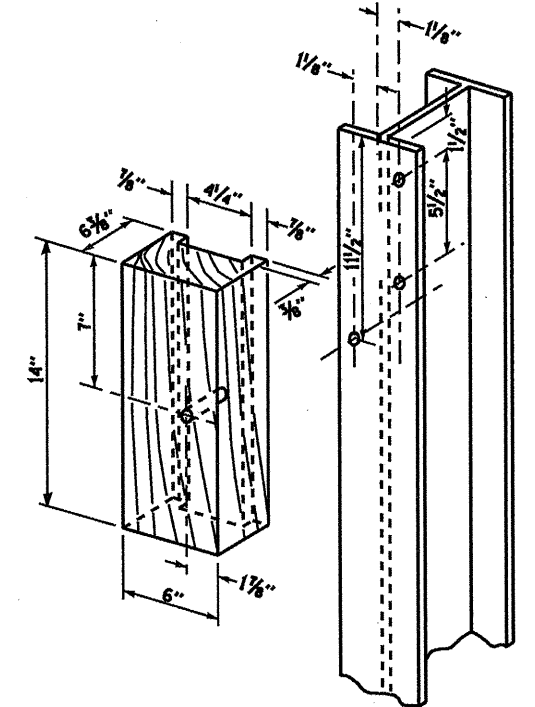
1" DOUBLE NUTS OR LOCKNUTS AND WASHER

**CABLE ASSEMBLY**  
 40,000 LBS. MIN. BREAKING STRENGTH  
 TIGHTEN TO TAUT TENSION.



NOTE:  
 IF IT IS NECESSARY FOR D TO BE MORE THAN 12" AND LESS THAN 10'-0" TYPE M-2 CURB AND GUTTER (STD. 606001) SHALL BE USED IN FRONT OF AND IN ADVANCE OF THE GUARDRAIL.

**GUARDRAIL PLACED BEHIND CURB**  
 (D = 0 DESIRABLE TO 12" MAXIMUM)



**WOOD BLOCK-OUT AND STEEL POST DETAILS**

(NO SCALE)

FILE NAME *	USER NAME * eifordb	DESIGNED -	REVISED -
ca\pe...ork\pstdot\elfordb\08174224\d876...	69-shr-planudgn	DRAWN - TRF	REVISED -
	PLOT SCALE = 48,8988' / IN.	CHECKED -	REVISED -
	PLOT DATE = 3/2/2010	DATE -	REVISED -

STATE OF ILLINOIS  
 DEPARTMENT OF TRANSPORTATION

GUARDRAIL DETAILS  
 SCALE: NONE | SHEET NO. OF SHEETS | STA. TO STA.

F.A.J. RTE.	SECTION	COUNTY	TOTAL SHEETS	SHEET NO.
32RS-3, 31RS-3, 1RS-1		ST. CLAIR	56	45
FED. ROAD DIST. NO. ILLINOIS FED. AID PROJECT			CONTRACT NO. 76069	