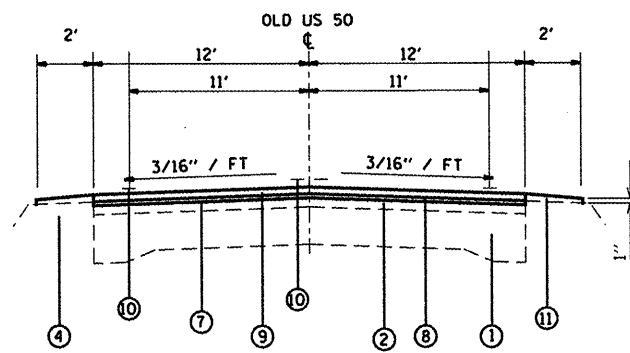


EXISTING TYPICAL SECTION W/REMOVAL

FAS 1780 (OLD US 50)

LOCATION 2

STA. 120+58 TO STA. 478+88
STA. 32+92 TO STA. 54+20

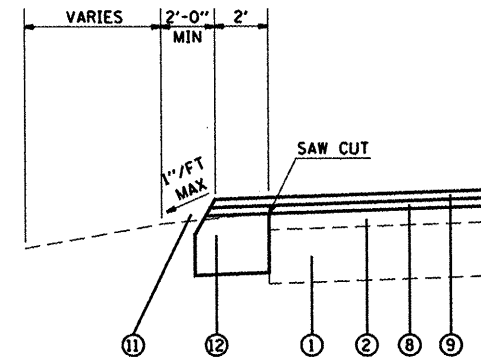


PROPOSED TYPICAL SECTION

FAS 1780 (OLD US 50)

LOCATION 2

STA. 120+58 TO STA. 478+88
STA. 32+92 TO STA. 54+20

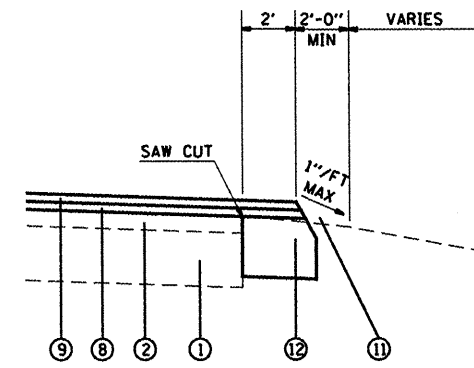


PROJECT LEFT WIDENING DETAIL

FAS 1780 (OLD US 50)

LOCATION 2

STA. 410+43 TO STA. 423+23



PROJECT LEFT WIDENING DETAIL

FAS 1780 (OLD US 50)

LOCATION 2

STA. 438+03 TO STA. 448+03

LEGEND

- ① EXISTING PAVEMENT
- ② EXISTING RESURFACING
- ③ EXISTING HMA SHOULDER
- ④ EXISTING TURF SHOULDER
- ⑤ EXISTING PAVEMENT MARKINGS
- ⑥ PROPOSED HMA SURFACE REMOVAL 1 1/2"
- ⑦ PROPOSED PRIME COAT (BITUMINOUS & AGGREGATE)
- ⑧ PROPOSED LEVELING BINDER (MACHINE METHOD) 3/4"
- ⑨ PROPOSED HOT-MIX ASPHALT SURFACE COURSE, MIX D, N90 1 1/2"
- ⑩ PROPOSED THERMOPLASTIC PAVEMENT MARKINGS
- ⑪ PROPOSED AGG WEDGE SHOULDER TYPE B
- ⑫ PROPOSED HMA BASE COURSE WIDENING, 9"

FILE NAME =	USER NAME = #USER#	DESIGNED -	REVISED -
#FILE#		DRAWN -	REVISED -
	PLDT SCALE = #SCALE#	CHECKED -	REVISED -
	PLDT DATE = #DATE#	DATE -	REVISED -

STATE OF ILLINOIS
DEPARTMENT OF TRANSPORTATION

LOCATION 2 TYPICAL SECTIONS			
SCALE:	SHEET NO.	OF SHEETS	STA. TO STA.

F.A.S. RTE.	SECTION	COUNTY	TOTAL SHEETS	SHEET NO.
1780	DIST 8 RESURFACING 2010-3	ST. CLAIR, CLINTON	33	5
FED. ROAD DIST. NO. [ILLINOIS] FED. AID PROJECT			CONTRACT NO. 76D77	