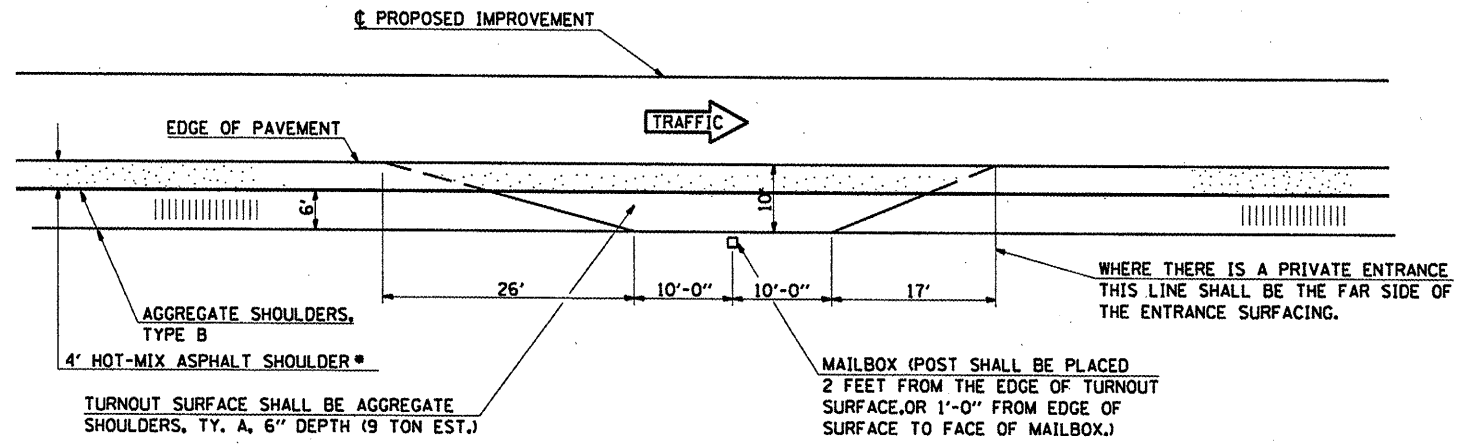


MAILBOX TURNOUT

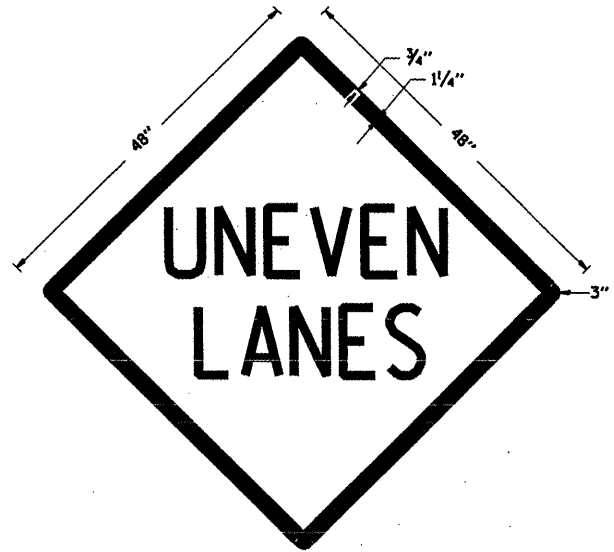


NOTE:
WHERE THERE IS MORE THAN ONE MAILBOX IN A GROUP, THE 10 FOOT DIM. SHALL BE MEASURED FROM THE FIRST AND LAST MAILBOX.

REVISIONS
 DRAWN 2-15-09
 REVISION 10-10-01
 REVISION 1-25-04
 REVISION
 STD. 9-15

UNEVEN LANES SIGN

W8-11 (48" x 48")



COLORS:
 LEGEND AND BORDER - BLACK NON-REFLECTORIZED
 BACKGROUND - ORANGE REFLECTORIZED

NOTE: PRIOR TO ALLOWING TRAFFIC ON ANY PORTION OF THE ROADWAY THAT HAS BEEN COLDMILLED OR BEFORE RESURFACING OPERATIONS BEGIN, THE CONTRACTOR SHALL HAVE ERECTED "UNEVEN PAVEMENT" SIGNS THAT CONFORM TO THE ABOVE DETAILS. A MINIMUM OF ONE SIGN AT EACH END OF THE IMPROVEMENT WILL BE REQUIRED. THE CONTRACTOR SHALL MAINTAIN THE "UNEVEN PAVEMENT" SIGNS UNTIL THE RESURFACING OPERATIONS ARE COMPLETED.

IF AT ANY TIME THE SIGNS ARE IN PLACE BUT NOT APPLICABLE, THEY SHALL BE TURNED FROM THE VIEW OF MOTORISTS OR COVERED AS DIRECTED BY THE ENGINEER.

THE COST OF FURNISHING, ERECTING, MAINTAINING, AND REMOVING THE REQUIRED SIGNS SHALL BE INCLUDED IN THE CONTRACT.

REVISIONS
 DRAWN 2-15-09
 REVISION 10-10-01
 REVISION 1-25-04
 REVISION
 STD. 9-41

FILE NAME =	USER NAME = moardkr	DESIGNED -	REVISED -	STATE OF ILLINOIS DEPARTMENT OF TRANSPORTATION	DETAIL: UNEVEN LANES SIGN ; MAILBOX TURNOUT	F.A.P. RTE.	SECTION	COUNTY	TOTAL SHEETS	SHEET NO.	
ca:\p\work\p\dot\moardkr\d8146989\d97	145-eh-t-miso.dgn	DRAWN -	REVISED -			322	(10-1185-1)	JACKSON	28	28	
PLOT SCALE = 100.0000' / IN.		CHECKED -	REVISED -			CONTRACT NO. 78145					
PLOT DATE = 1/5/2010		DATE -	REVISED -			ILLINOIS FED. AID PROJECT					