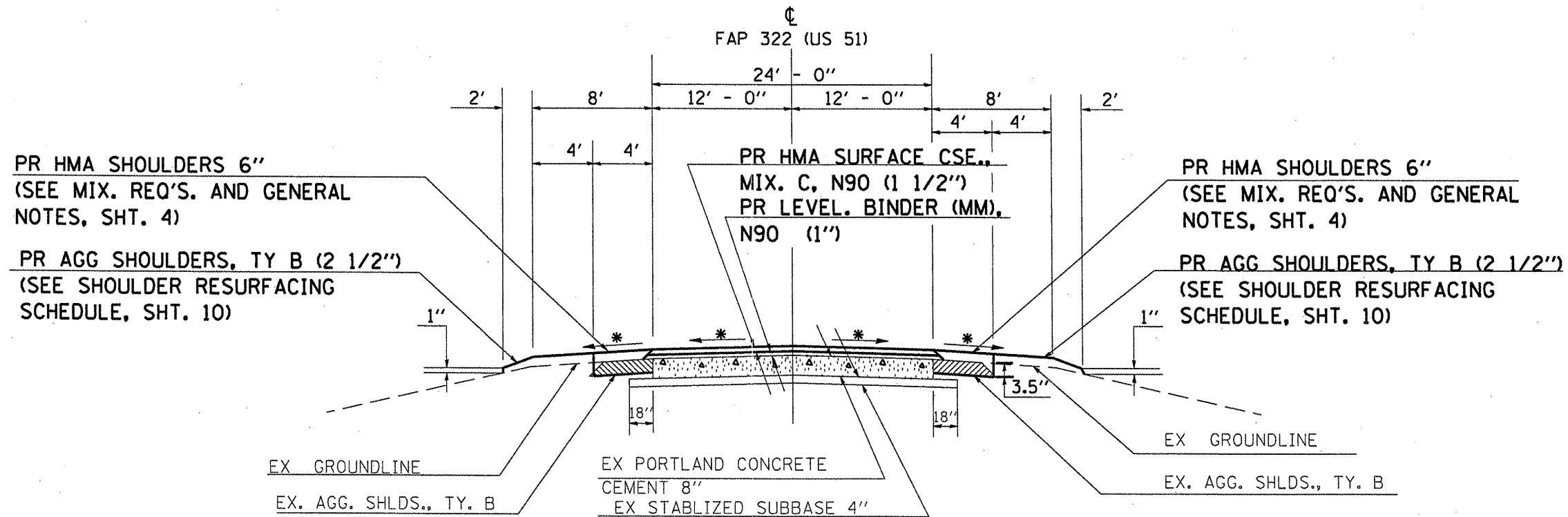
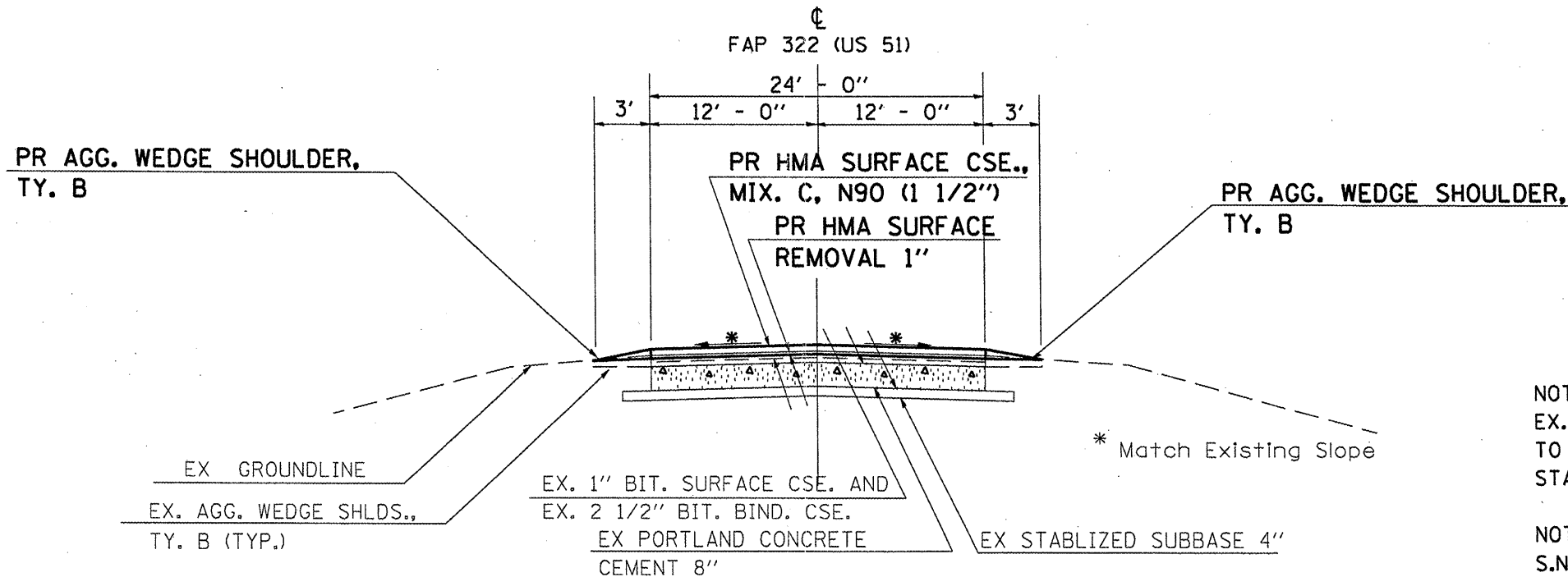


# TYPICAL SECTIONS



**TO BE USED:**  
 EX. PCC CURVES SOUTH OF TAMAROA  
 STA. 296+00 TO STA. 382+87 (AT RR X-ING) (SEE NOTE 1)  
 EX. PCC CURVES NORTH OF TAMAROA  
 STA. 527+00 TO STA. 585+19

\* Match Existing Slope



**TO BE USED:**  
 STA. 382+99 (RR X-ING) TO STA 401+66  
 STA. 465+76.55 TO STA. 466+87 (SEE NOTE 2)  
 STA. 467+09 TO STA. 527+00

\* Match Existing Slope

NOTE 1:  
 EX. UNION PAC. RAILROAD CROSSING  
 TO BE OMITTED  
 STA. 382+87 TO STA. 382+99

NOTE 2:  
 S.N. 073-0002 TO BE OMITTED  
 STA. 466+87 TO STA. 467+09

**EQUATION STATIONS:**

EQ. STA. 327+61.97 (BK) =  
 STA. 327+60.07 (AH)

EQ. STA. 376+03.70 (BK) =  
 STA. 380+92.90 (AH)

EQ. STA. 464+36.79 (BK) =  
 STA. 465+76.55 (AH)

EQ. STA. 544+05.37 (BK) =  
 STA. 544+05.87 (AH)

EQ. STA. 576+88.45 (BK) =  
 STA. 584+69.0 (AH)

FILE NAME =	USER NAME = mccordkr	DESIGNED -	REVISED -	<b>STATE OF ILLINOIS DEPARTMENT OF TRANSPORTATION</b>	<b>TYPICAL SECTIONS</b>	F.A.P. RTE. 322	SECTION 6-7185-3	COUNTY PEBBY	TOTAL SHEETS 37	SHEET NO. 5
et\pwwork\VP\WIDOT\MCCORDKR\0169663\78167-sht-plan.dgn		DRAWN -	REVISED -							
	PLOT SCALE = 100.0000' / IN.	CHECKED -	REVISED -							
	PLOT DATE = 2/3/2010	DATE -	REVISED -		SCALE: _____	SHEET NO. _____	OF _____	SHEETS	STA. _____	TO STA. _____
ILLINOIS FED. AID PROJECT										CONTRACT NO. 78167