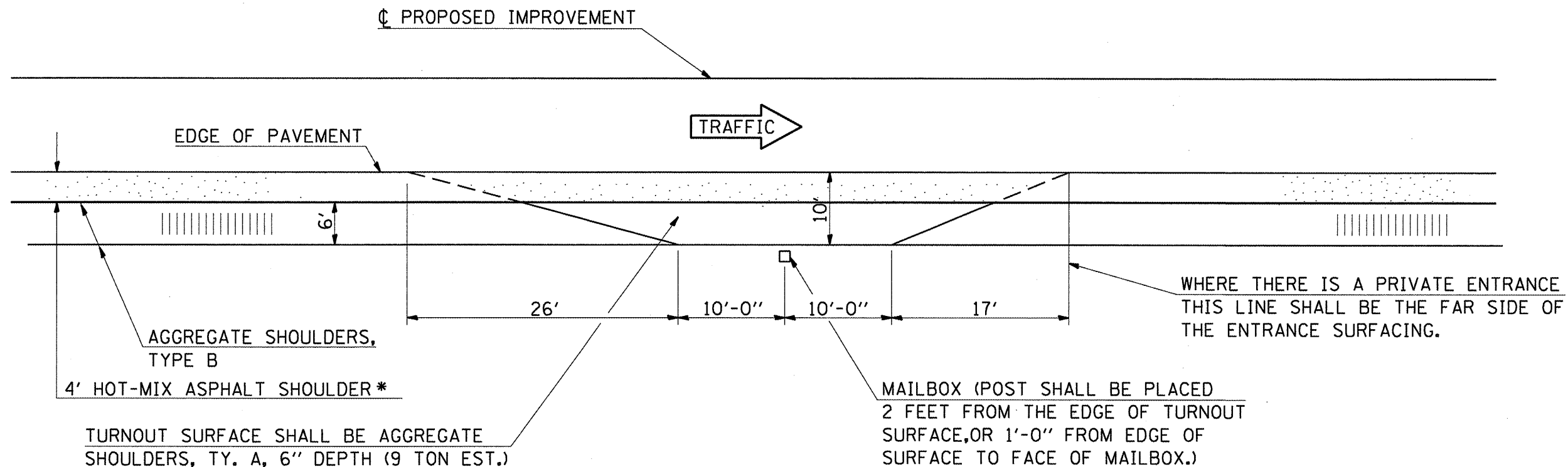


# MAILBOX TURNOUT

## TO BE USED ALONG

### 4' HMA AND 6' AGGREGATE SHOULDER



### NOTE:

WHERE THERE IS MORE THAN ONE MAILBOX IN A GROUP, THE 10 FOOT DIM. SHALL BE MEASURED FROM THE FIRST AND LAST MAILBOX.

THERE ARE 15 MAILBOX TURNOUTS ON THIS PROJECT AT 28 SY. YDS. EACH OF AGGREGATE SHOULDERS, TY. A, 6".

REVISIONS	
REDRAWN	2-15-89
REVISED	01-10-07
REVISED	3-26-08
REVISED	

STD. 9-15

FILE NAME =	USER NAME = mcoordkr	DESIGNED -	REVISED -	<b>STATE OF ILLINOIS DEPARTMENT OF TRANSPORTATION</b>	<b>MAILBOX TURNOUT DETAIL</b>	F.A.P. RTE.	SECTION	COUNTY	TOTAL SHEETS	SHEET NO.	
7-sht-plan.dgn	100.0000' / IN.	DRAWN -	REVISED -			322	16-7185-3	PEBBY	37	37	
PLOT SCALE =	CHECKED -	REVISED -	REVISED -			CONTRACT NO. 78167		ILLINOIS FED. AID PROJECT			
PLOT DATE = 1/12/2010	DATE -	REVISED -	REVISED -			SCALE: _____	SHEET NO. _____ OF _____ SHEETS	STA. _____ TO STA. _____			