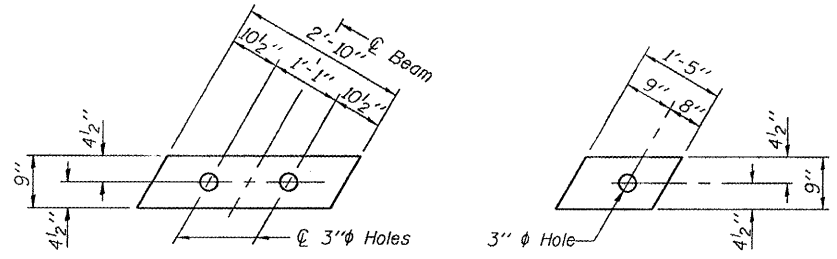


STATE OF ILLINOIS
DEPARTMENT OF TRANSPORTATION



FABRIC BEARING PAD

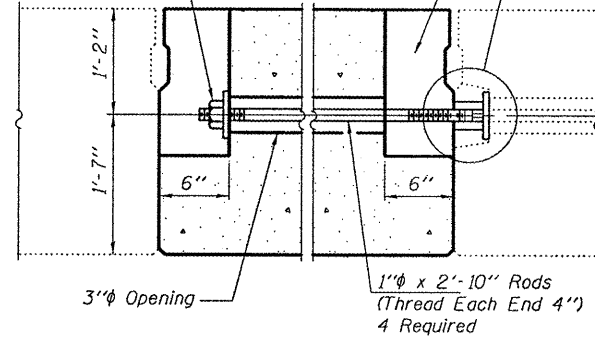
FABRIC ADJUSTING SHIM

FIXED

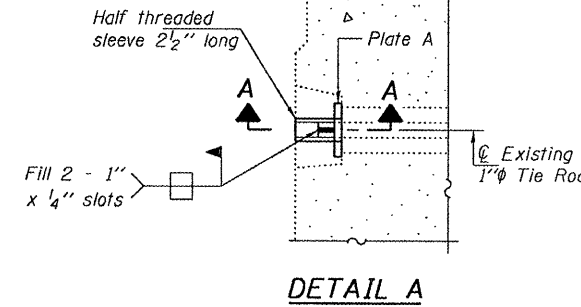
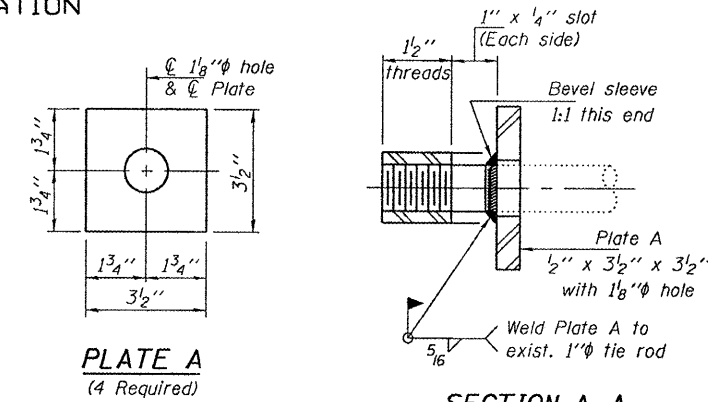
Note: Omit holes when using expansion bearings.

6" x 6" x 16 1/2" Blockouts to be filled with non-shrink grout as specified in the special provision Concrete Deck Beams (Min. compressive strength at 7 days = 6,000 psi) after beams have been installed. Cost shall be included in the cost of Precast Prestressed Concrete Deck Beams (33" Depth). (Typ.)

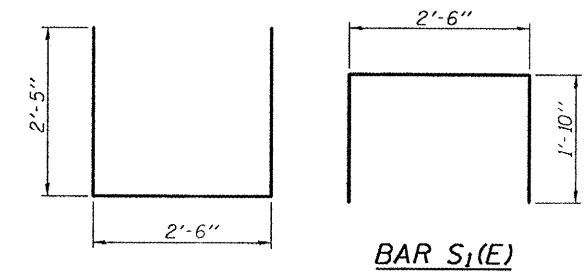
Nut for 1" Rod with 4" x 4" x 1/2" Washer (4 Required) See Detail A this sheet



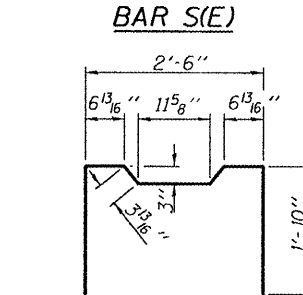
TYPICAL TRANSVERSE TIE ASSEMBLY



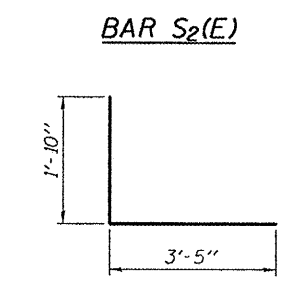
L 4 x 4 x 1/2 x Full width of beam cast into beam. (Expansion end only) Cost included with PPC Deck Beams.



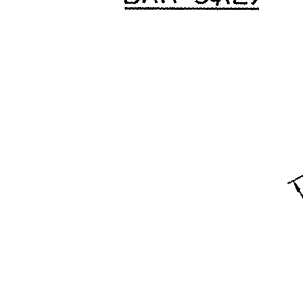
BAR S1(E)



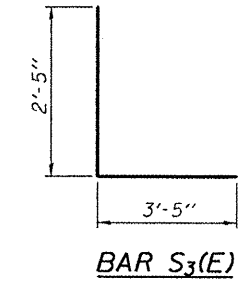
BAR S(E)



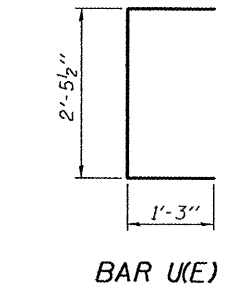
BAR S2(E)



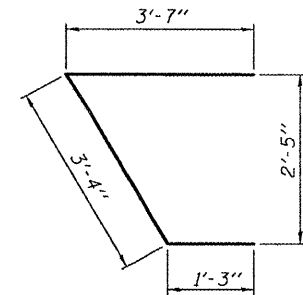
BAR S4(E)



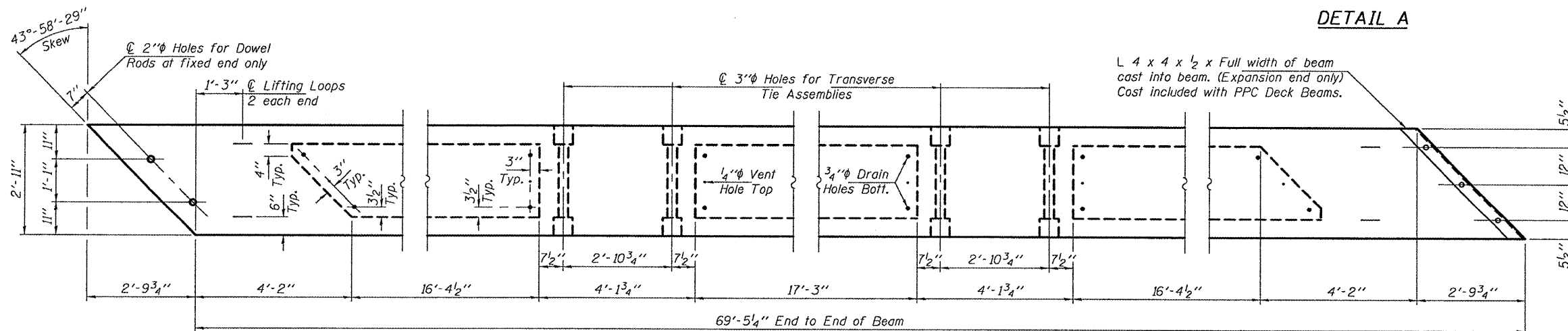
BAR S3(E)



BAR U(E)



BAR U1(E)



BEAM PLAN

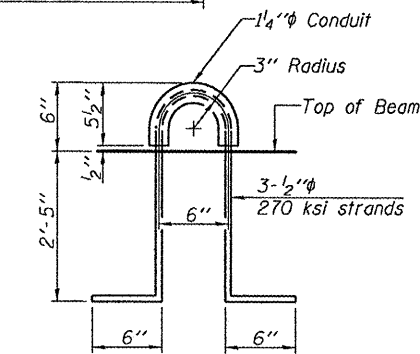
NOTES

Prestressing steel shall be uncoated high strength, low relaxation 7-wire strand, Grade 270. The nominal diameter shall be 1/2" and the nominal cross-sectional area shall be 0.153 sq. in. The 1" rods in the transverse tie assembly shall be tightened to a snug fit and the threads set. Pockets on exterior faces of bridge shall be filled with grout after transverse tie assembly is in place.

Reinforcement bars shall conform to ASTM A 706, Grade 60. (See Special Provisions). Two 1/8" fabric adjusting shims of the dimensions shown shall be provided for each bearing pad location.

A minimum 2 1/2" lifting pin shall be used to engage the lifting loops during handling. Corrosion Inhibitor, per Article 1020.05(b)(12) and 1021.06 of the Standard Specifications, shall be used in the concrete for precast prestressed concrete deck beams.

Compressive strength of prestressed concrete, f'c, shall be 6000 psi. Compressive strength of prestressed concrete at release, f'ci, shall be 5000 psi.



LIFTING LOOP DETAIL

BILL OF MATERIAL

Precast Prestressed Conc. Deck Bms. (33" depth)	Sq. Ft.	203
---	---------	-----

**BEAM DETAILS
IL ROUTE 1 OVER ROCK CREEK
SN 035-0002**

DESIGNED	ATH
CHECKED	GGE
DRAWN	Kyle M. Steffen
CHECKED	ATH GGE

FEBRUARY 11, 2010	
EXAMINED	<i>Carl Perry</i>
PASSED	<i>Ralph E. Anderson</i>
ENGINEER OF BRIDGES AND STRUCTURES	

SHEET NO. 3 4 SHEETS	F.A.P. RTE. 782	SECTION 1151-2	COUNTY HARDIN	TOTAL SHEETS 8	SHEET NO. 6
	CONTRACT NO.				
FED. ROAD DIST. NO. ILLINOIS FED. AID PROJECT					