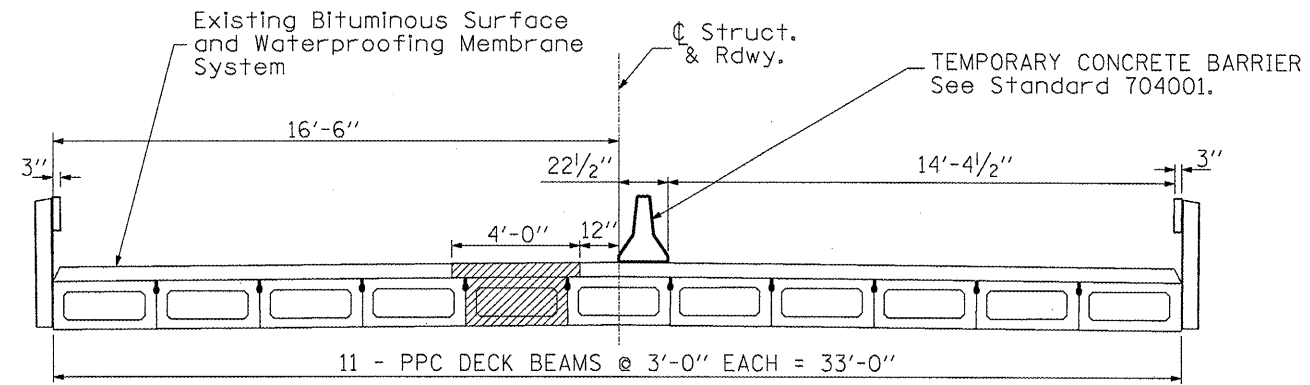
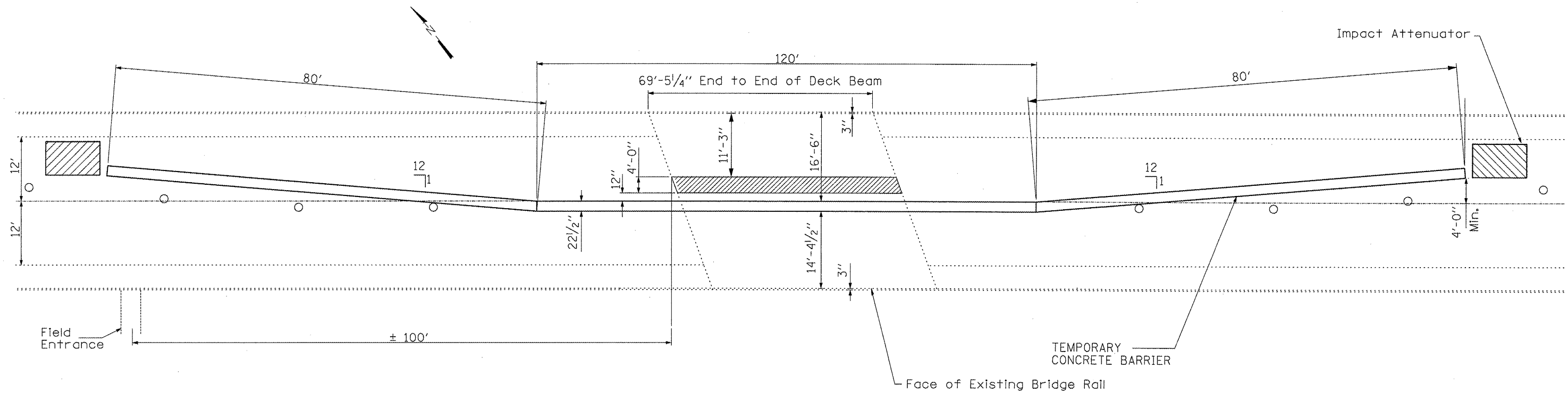


SEE TRAFFIC CONTROL AND PROTECTION STANDARD 701321 FOR DETAILS NOT SHOWN.



**TEMPORARY CONCRETE BARRIER
LOOKING EAST**



PLAN - TEMPORARY CONCRETE BARRIER

P.P.C. Deck Beam Replacement

FILE NAME =	USER NAME = gautneyrk	DESIGNED -	REVISED -	STATE OF ILLINOIS DEPARTMENT OF TRANSPORTATION	SCALE: _____ SHEET NO. ____ OF ____ SHEETS STA. _____ TO STA. _____	F.A.P. RTE.	SECTION	COUNTY	TOTAL SHEETS	SHEET NO.
c:\p\work\p\WIDOT\GAUTNEYRK\d01579137883-sht-plan.dgn	DRAWN -	REVISED -	782			1151-2	HARDIN	8	8	
PLOT SCALE = 100.0000' / IN.	CHECKED -	REVISED -	CONTRACT NO. 78183							
PLOT DATE = 12/15/2009	DATE -	REVISED -	ILLINOIS FED. AID PROJECT							