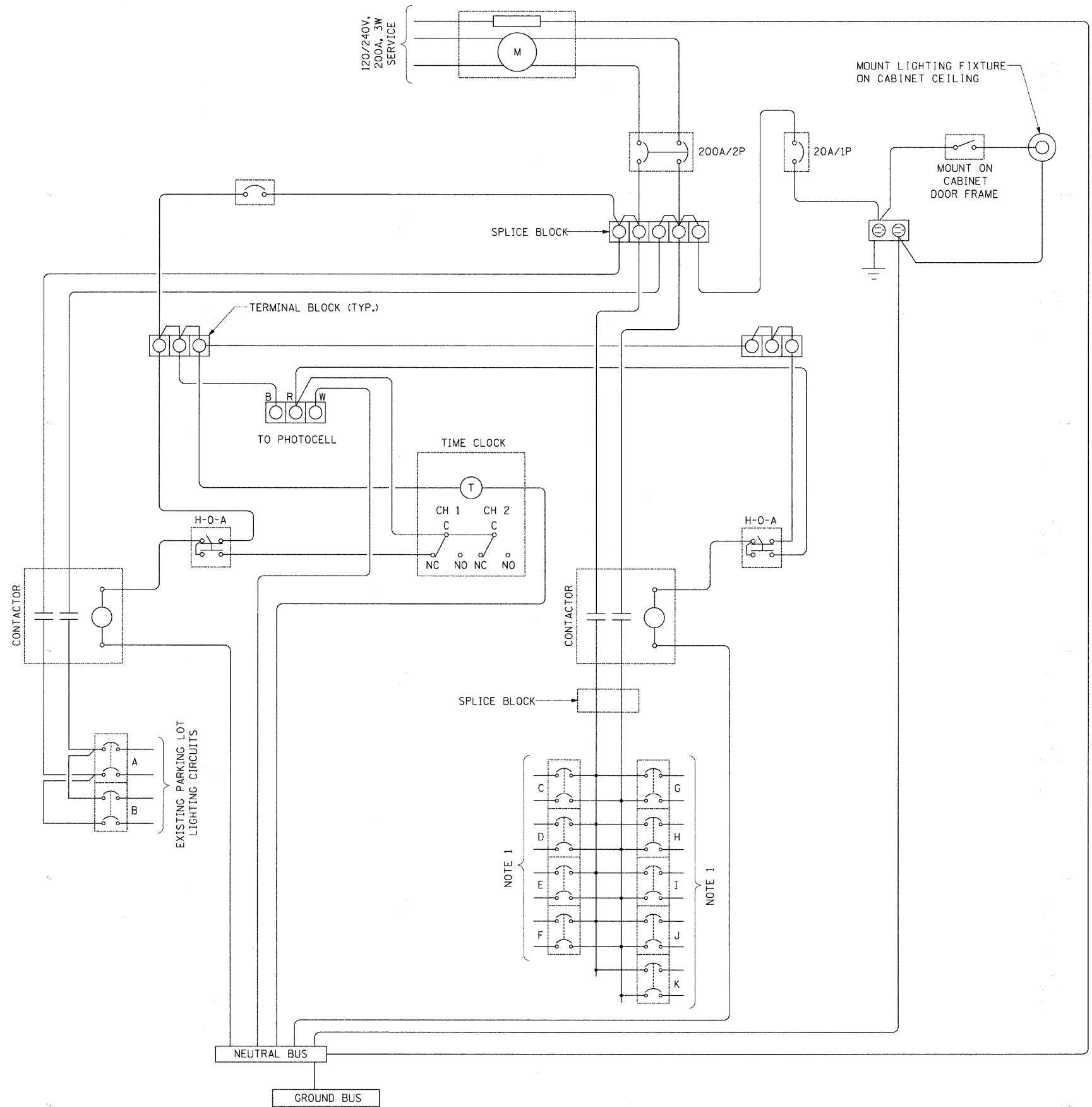
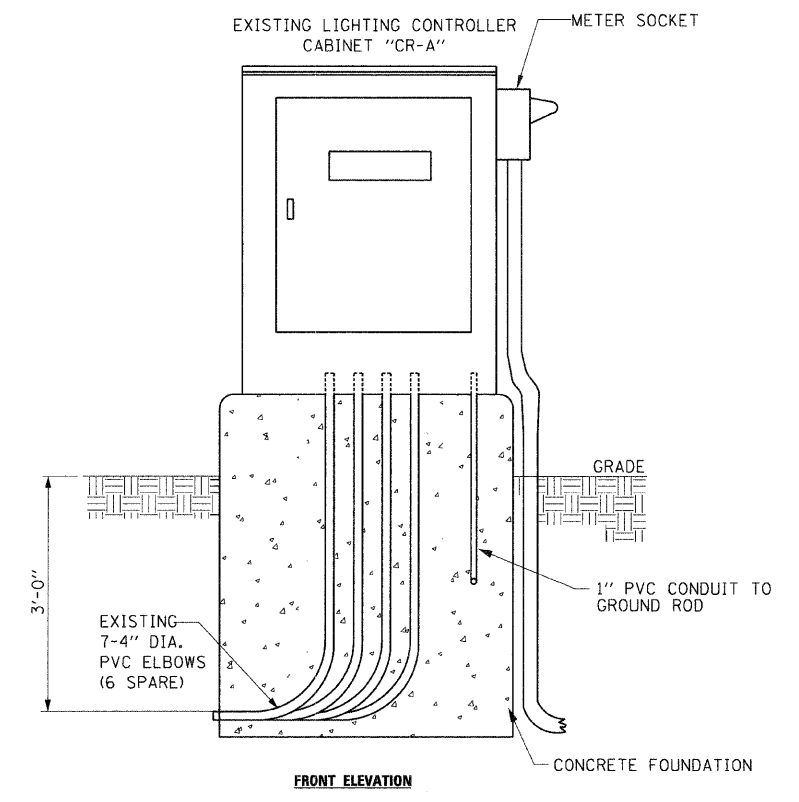


| | | | | |
|--------------------------|----------------|---|-----------------|--------------|
| PLAN RTE. | SECTION | COUNTY | TOTAL SHEETS | SHEET NO. |
| 1324 | 03-00097-01-PV | COOK | 82 | 67 |
| STA. _____ TO STA. _____ | | FED. ROAD DIST. NO. _____ ILLINOIS FED. AID PROJECT | | |
| CONTRACT # 83971 | | | | |



1 EXISTING LIGHTING CONTROLLER "CR-A" WIRING DIAGRAM
N.T.S.

- NOTES:**
- SPARE, 2P, 240V, 30A CIRCUIT BREAKERS FOR PROPOSED DEMPSTER STREET ROADWAY LIGHTING CIRCUITS



2 EXISTING LIGHTING CONTROLLER "CR-A"
N.T.S.

| REVISIONS | |
|-----------|------|
| NAME | DATE |
| | |
| | |
| | |
| | |
| | |
| | |
| | |
| | |
| | |
| | |

ILLINOIS DEPARTMENT OF TRANSPORTATION
IL RTE 58 (DEMPSTER ST) IMPROVEMENTS
EXISTING LIGHTING CONTROLLER "CR-A" DETAILS

SCALE: N.T.S. DRAWN BY: RPK
DATE: 10-16-09 CHECKED BY: KMY

