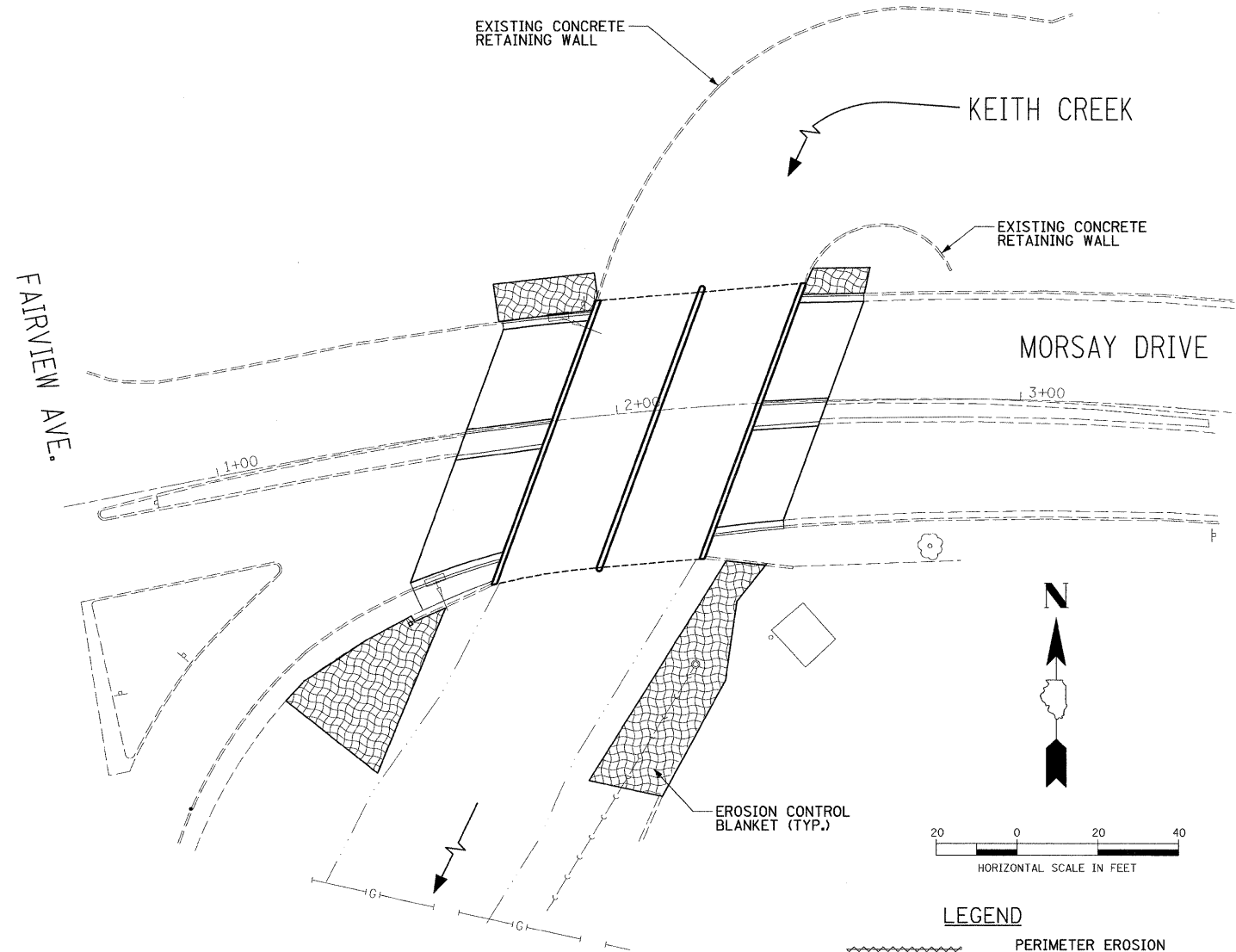


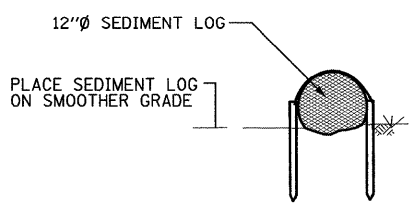
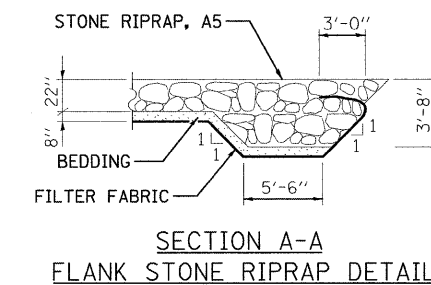
CONSTRUCTION PHASE



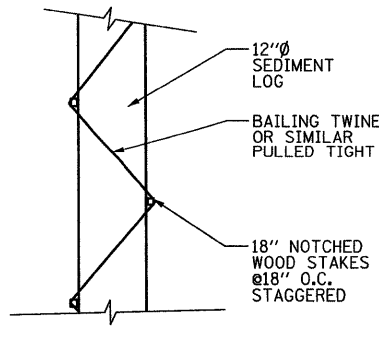
RESTORATION PHASE

LEGEND

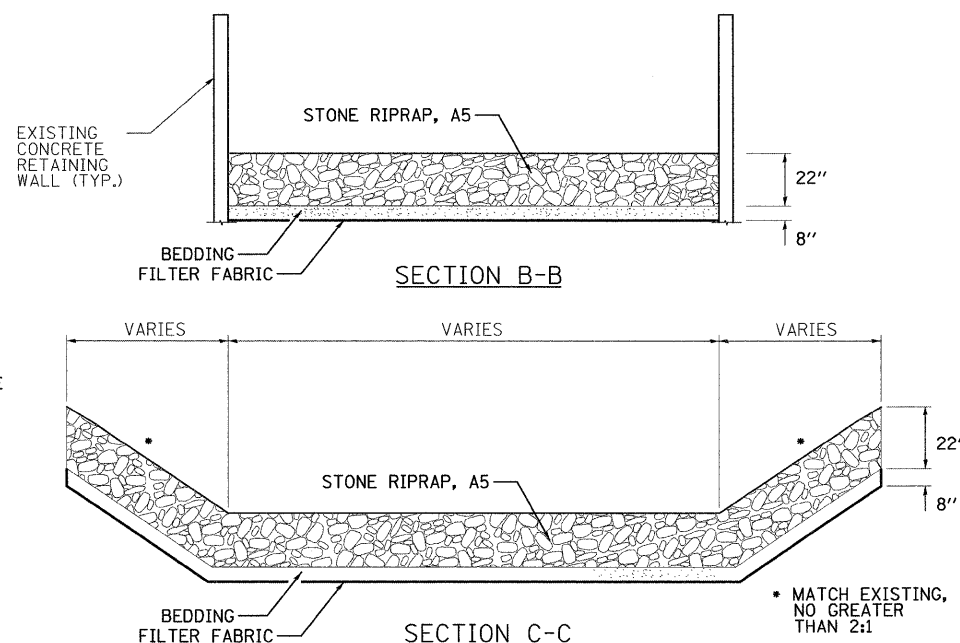
- PERIMETER EROSION BARRIER
- RR5 RIPRAP
- SEEDING
- EROSION CONTROL BLANKET



SEDIMENT LOG CROSS SECTION

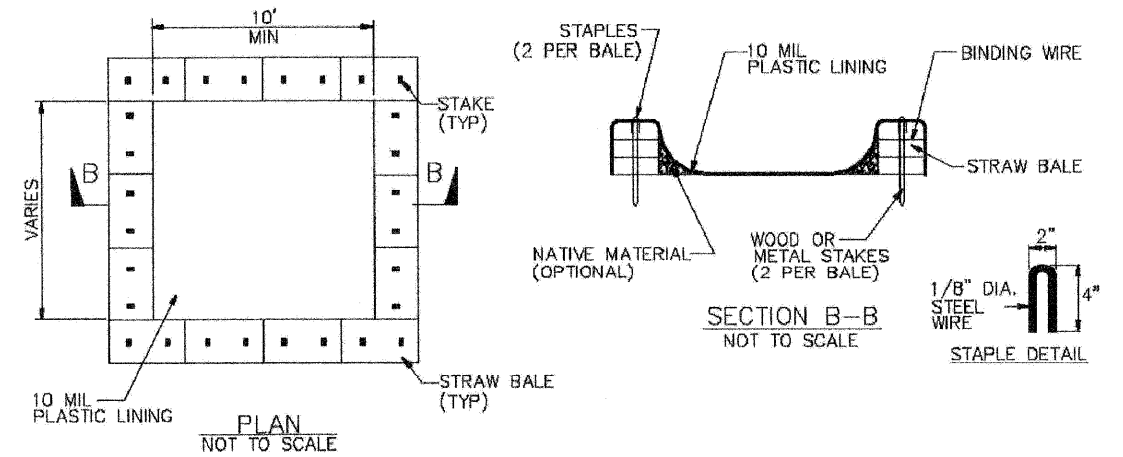


SEDIMENT LOG PLAN VIEW



SECTION B-B

SECTION C-C



PLAN NOT TO SCALE

CONCRETE TRUCK WASHOUT DETAIL

LAYOUT: MWH 10/07/09 Huss00411
 DRAWN: MWH 01/20/10 01:00:00
 REVIEWED: DPA 01/20/10 10:00:00
 FILE NAME: I:\09Jobs\09L\0212\CADD\Road\Sheet\C-106-EP.dgn

FILE NAME =	USER NAME = Huss00411	DESIGNED - DPA	REVISED -
1:\09Jobs\09L\0212\CADD\Road\Sheet\C-106-EP.dgn		DRAWN - MWH	REVISED -
		CHECKED - DPA	REVISED -
		DATE - 01/20/10	REVISED -

**STATE OF ILLINOIS
DEPARTMENT OF TRANSPORTATION**

**EROSION CONTROL PLAN
MORSAY DRIVE BRIDGE
ROCKFORD, IL**

SCALE: 1" = 20' SHEET NO. 6 OF 14 SHEETS STA. 0+00 TO STA. 4+00

F.A.U. RTE.	SECTION	COUNTY	TOTAL SHEETS	SHEET NO.
5068	09-00565-00-BR	WINNEBAGO	14	6

CONTRACT NO. 85507
ILLINOIS FED. AID PROJECT