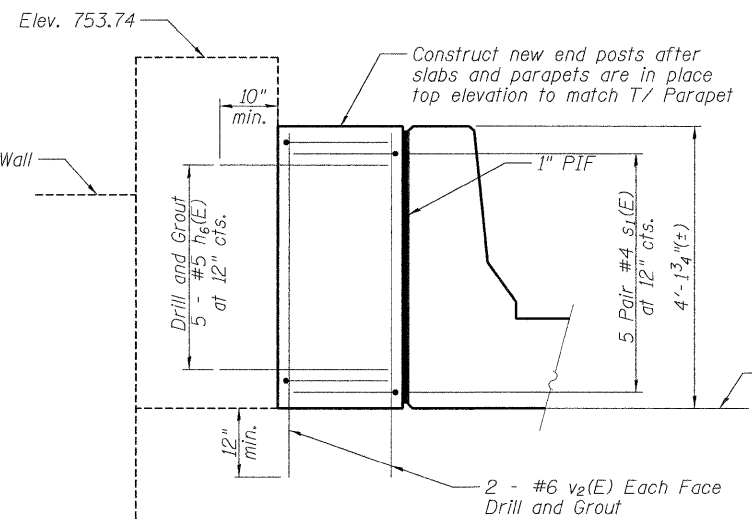
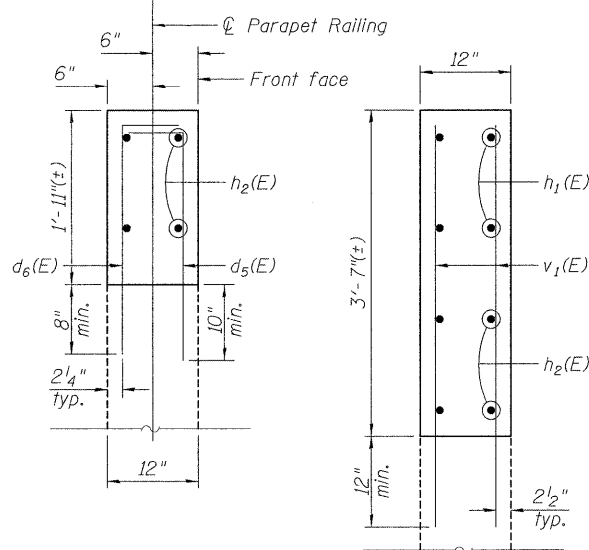
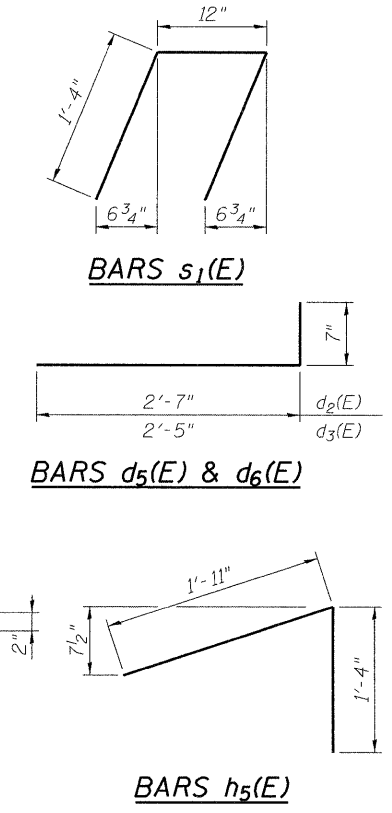


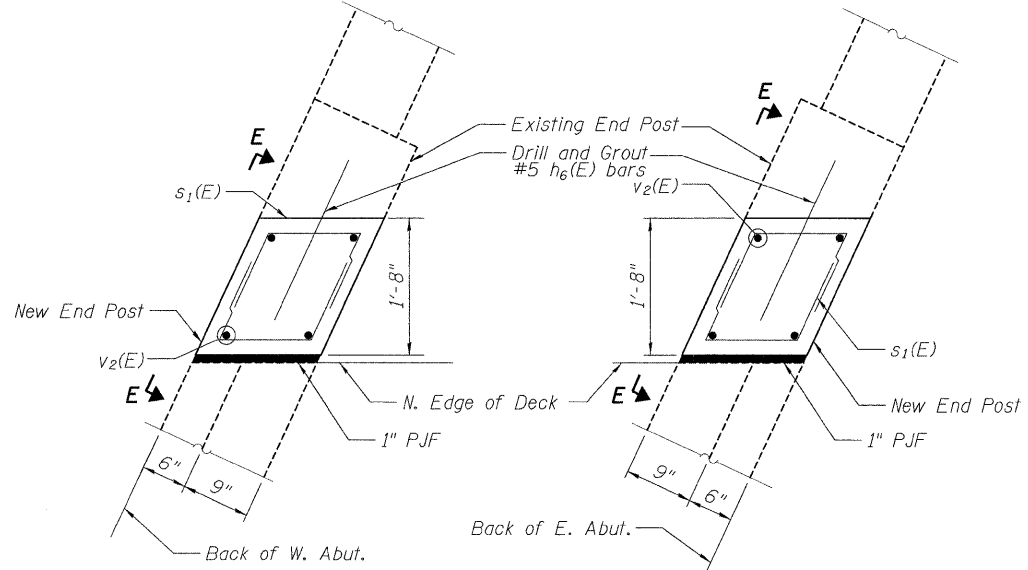
ELEVATION - S.E. WING WALL
(S.W. Wing opp. hand)



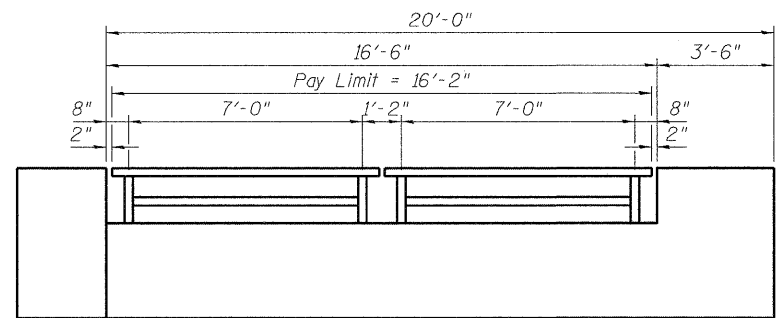
VIEW E-E



SECTION A-A **SECTION B-B**



PLAN - NORTH END POSTS

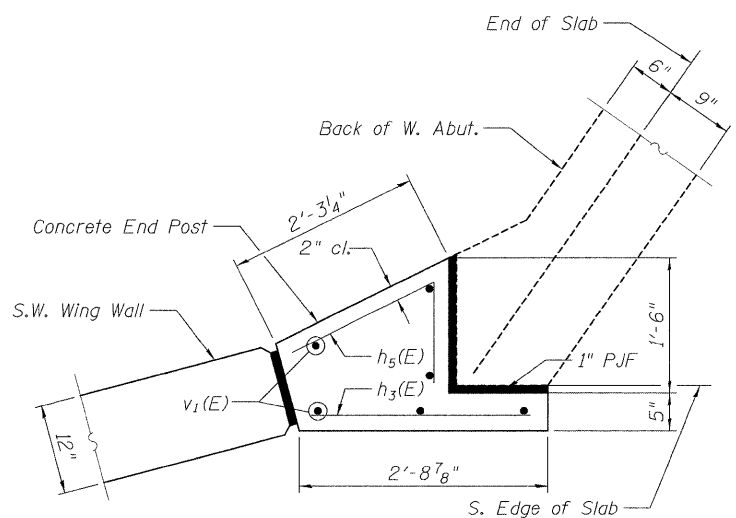


ELEVATION - S.E. WING WALL RAIL
(S.W. Rail opp. hand)

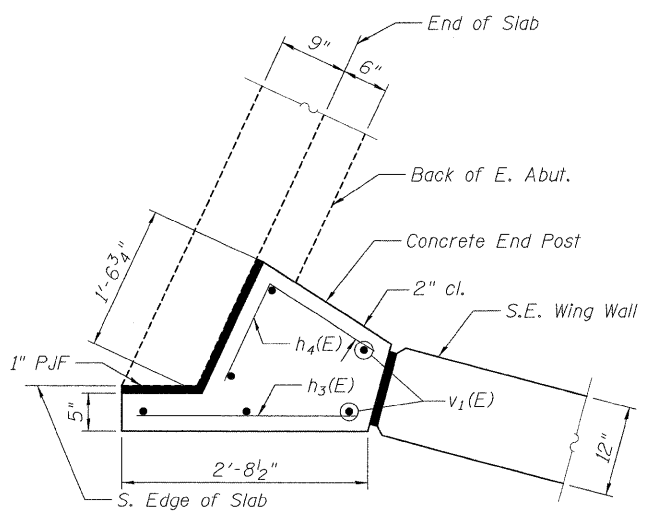
For Parapet Railing Details see Sht. 6 of 8

WINGWALL AND END POST
BILL OF MATERIAL
(Two Wings)

Bar	No.	Size	Length	Shape
d5(E)	30	#5	3'-2"	┌───┐
d6(E)	16	#4	3'-0"	┌───┐
h1(E)	8	#4	3'-2"	───
h2(E)	8	#4	19'-8"	───
h3(E)	8	#4	2'-5"	───
h4(E)	4	#4	2'-8"	└─┘
h5(E)	4	#4	3'-3"	└─┘
h6(E)	10	#5	1'-10"	───
s1(E)	20	#4	3'-8"	└─┘
v1(E)	28	#6	4'-5"	───
v2(E)	8	#6	5'-0"	───
Concrete Structures	Cu. Yds.		4.8	
Reinforcement Bars, Epoxy Coated	lbs.		600	
Drill and Grout Bars	Each		92	
Parapet Railing	Foot		32.3	



SECTION C-C
(S.W. End Post)



SECTION D-D
(S.E. End Post)

WING WALLS AND END POSTS
MORSAY DRIVE BRIDGE
OVER NORTH BRANCH OF KEITH CREEK
FAU 5068
SEC. 09-00565-00-BR
WINNEBAGO COUNTY, ILLINOIS
STATION 2+10
STRUCTURE NO. 101-6061

FAU	SECTION	COUNTY	TOTAL SHEETS	SHEET NO.
5068	09-00565-00-BR	WINNEBAGO	14	13
CONTRACT NO. 85507				
FED. ROAD DIST. NO. 2 ILLINOIS FED. AID PROJECT				

09L0012
DATE 01/28/10
Corporate License Number 184-001-084
© Copyright Hanson Professional Services Inc. 2009
HANSON

01/28/2010
 I:\09\00565\00\20\09\CAD\Struct\Sheet\S-013-WING.dgn
 LAYOUT: SMK 10/21/09
 DRAWN: JDM 11/20/09
 REVIEWED: SMK 11/20/09