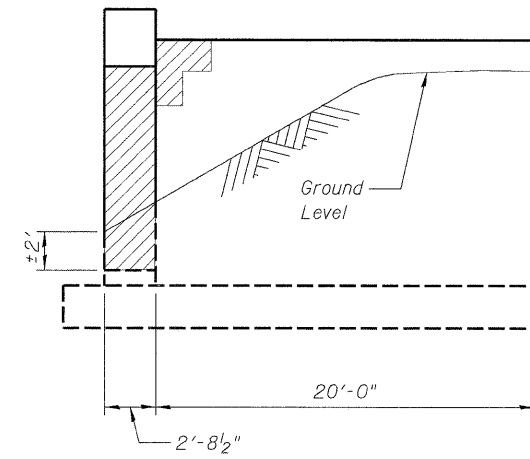
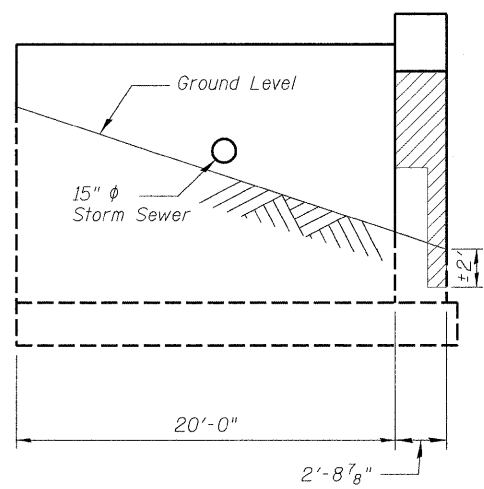


EAST ABUTMENT ELEVATION

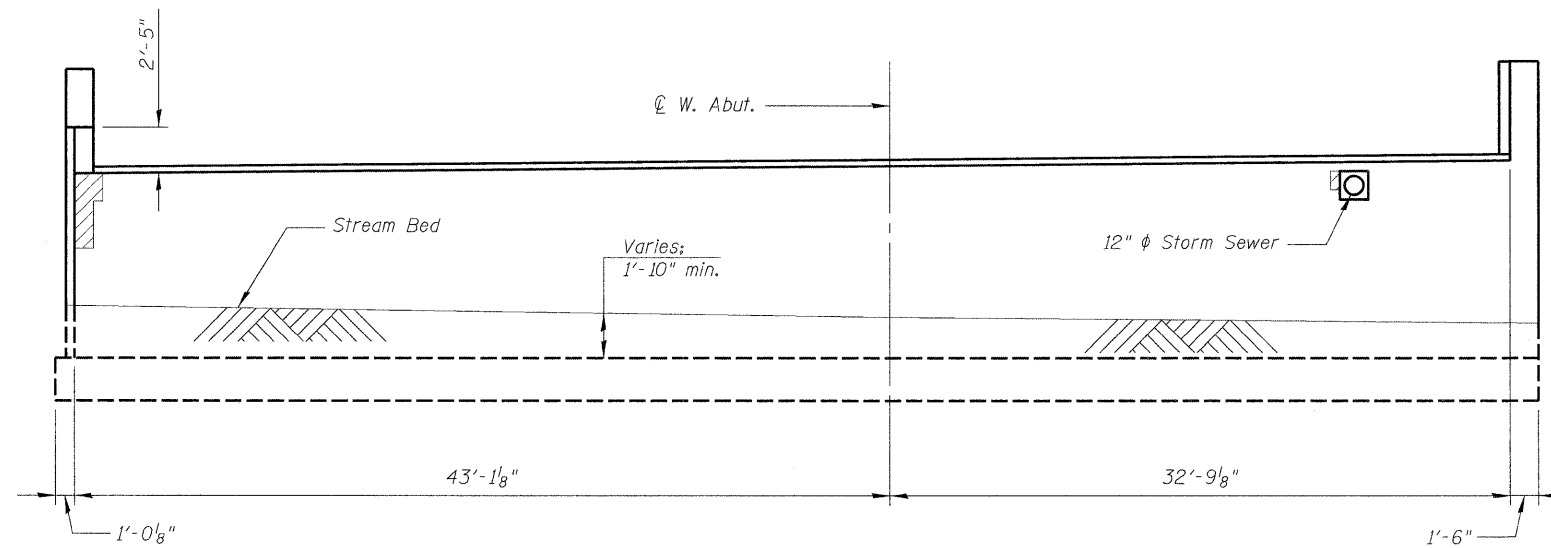
Total Delaminated Area = 90 Sq. Ft.



SE WINGWALL ELEVATION



SW WINGWALL ELEVATION



WEST ABUTMENT ELEVATION

Total Delaminated Area = 40 Sq. Ft.

LEGEND

Delaminated Area

ABUTMENT CONCRETE REPAIRS
MORSAY DRIVE BRIDGE
OVER NORTH BRANCH OF KEITH CREEK
FAU 5068
SEC. 09-00565-00-BR
WINNEBAGO COUNTY, ILLINOIS
STATION 2+10
STRUCTURE NO. 101-6061

JOB NO. 09L0012	DATE 01/28/10	FAU 5068	SECTION 09-00565-00-BR	COUNTY WINNEBAGO	TOTAL SHEETS 14	SHEET NO. 14
SHEET NO. 8			8 SHEETS			
FED. ROAD DIST. NO. 2					ILLINOIS FED. AID PROJECT	



01/28/2010
 I:\09\00565\09L0012\CADD\Struct\Sheet\014-REPAIR.dgn
 LAYOUT: SMK 10/21/09
 DRAWN: JDM 11/20/09
 REVIEWED: SMK 11/20/09