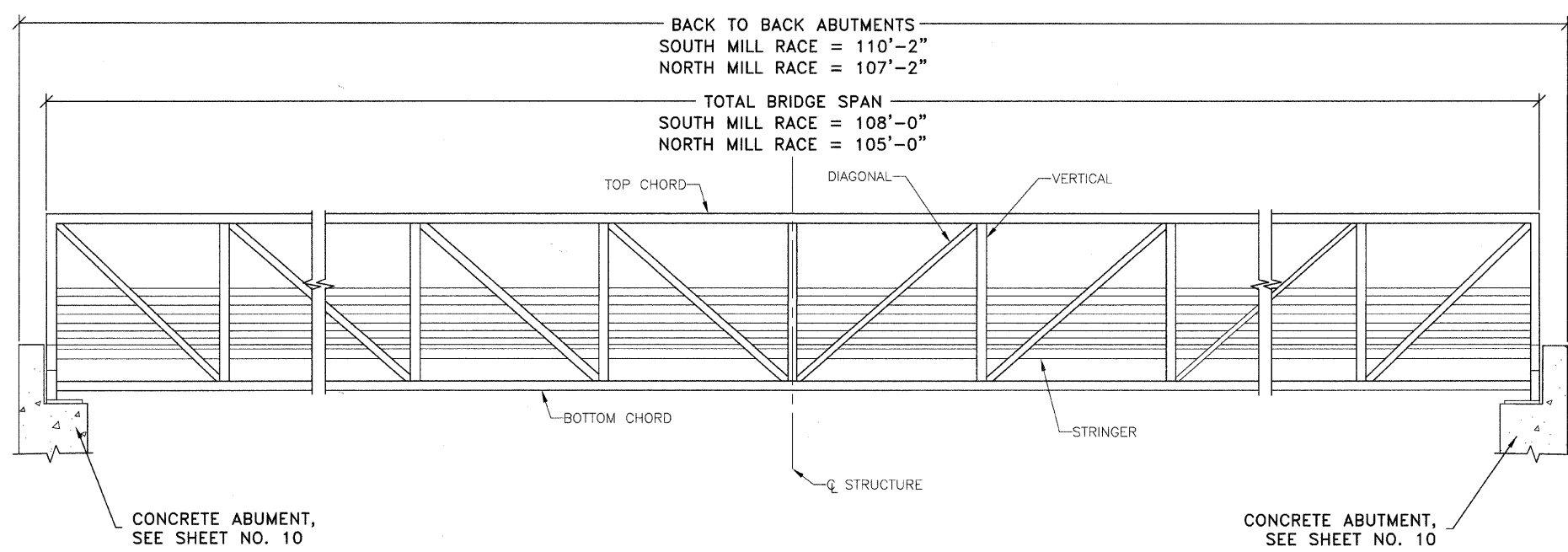
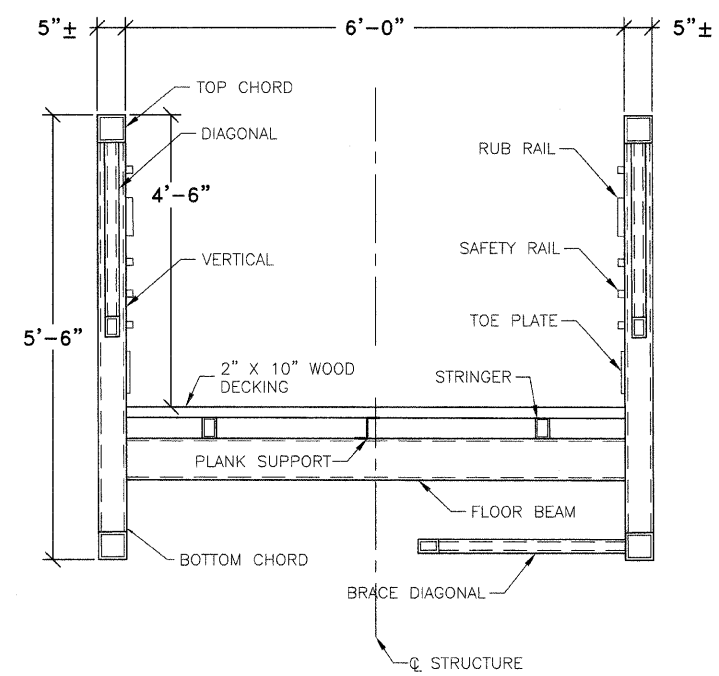


F.A.S. ROUTE NO.	SECTION	ILLINOIS PROJECT	CONTRACT NO.	COUNTY	TOTAL SHEETS	SHEET NUMBER
268	06-00173-00-SW	TE-0003(58)	87359	LASALLE	15	9

F.A.S. 268 - MAIN STREET
SECTION 06-00173-00-SW
CITY OF MARSEILLES, LASALLE COUNTY



PEDESTRIAN TRUSS SUPERSTRUCTURE - ELEVATION
NOT TO SCALE



PEDESTRIAN TRUSS SUPERSTRUCTURE - CROSS SECTION
NOT TO SCALE

ALL MATERIALS AND CONSTRUCTION SHALL CONFORM TO THE LATEST EDITION OF THE ILLINOIS DEPARTMENT OF TRANSPORTATION SPECIFICATIONS FOR ROAD AND BRIDGE CONSTRUCTION, JANUARY 1, 2007.

DESIGN SPECIFICATIONS:
 1997 AASHTO GUIDE SPECIFICATIONS FOR DESIGN OF PEDESTRIAN BRIDGES
 BRIDGE DEAD LOAD = 60 PSF
 BRIDGE LIVE LOAD = 85 PSF
 SEISMIC PERFORMANCE CATEGORY (SPC): A
 BEDROCK ACCELERATION COEFFICIENT (A): 0.04
 SITE COEFFICIENT (S): 1.0

DESIGN STRESSES:
 STEEL: $F_y = 50$ ksi
 CONCRETE: $f'_c = 4,000$ psi

GENERAL NOTES:
 1.) BRIDGE INSTALLATION SHALL BE IN ACCORDANCE WITH THE BRIDGE MANUFACTURER'S SHOP DRAWINGS, INSTRUCTIONS, AND/OR RECOMMENDATIONS. THE CONTRACTOR SHALL PROVIDE ALL MATERIALS, LABOR, AND EQUIPMENT TO COMPLETELY INSTALL THE PREFABRICATED BRIDGES AND MAKE THE PROPER CONNECTIONS TO THE ABUTMENTS. THE CONTRACTOR SHALL COORDINATE ALL CONSTRUCTION, DELIVERY AND INSTALLATION OF THE BRIDGE WITH THE MANUFACTURER.

2.) EACH PREFABRICATED BRIDGE INCLUDES THE FOLLOWING:
 A.) FINISH: ILDOT 3 COAT PAINT SYSTEM
 B.) DECKING MATERIAL: 2" X 10" DOUGLAS FIR
 C.) DESIGN STRESSES IN CONFORMANCE WITH AASHTO
 D.) SAFETY RAILS: HORIZONTAL SAFETY RAILS SPACED AT 4" ON CENTER
 E.) WOOD RUBRAIL AND TOEPLATES
 F.) PEDESTRIAN LIVE LOAD: 85 PSF
 G.) 2 SECTIONS

3.) BRIDGE MANUFACTURER SHALL PROVIDE ALL SHOP AND FABRICATION DRAWINGS. FINAL DRAWINGS SHALL BE PREPARED BY AND SEALED BY AN ILLINOIS LICENSED STRUCTURAL ENGINEER.

4.) EXACT DIMENSIONS OF BRIDGE COMPONENTS TO BE PROVIDED BY THE PREFABRICATED BRIDGE MANUFACTURER.

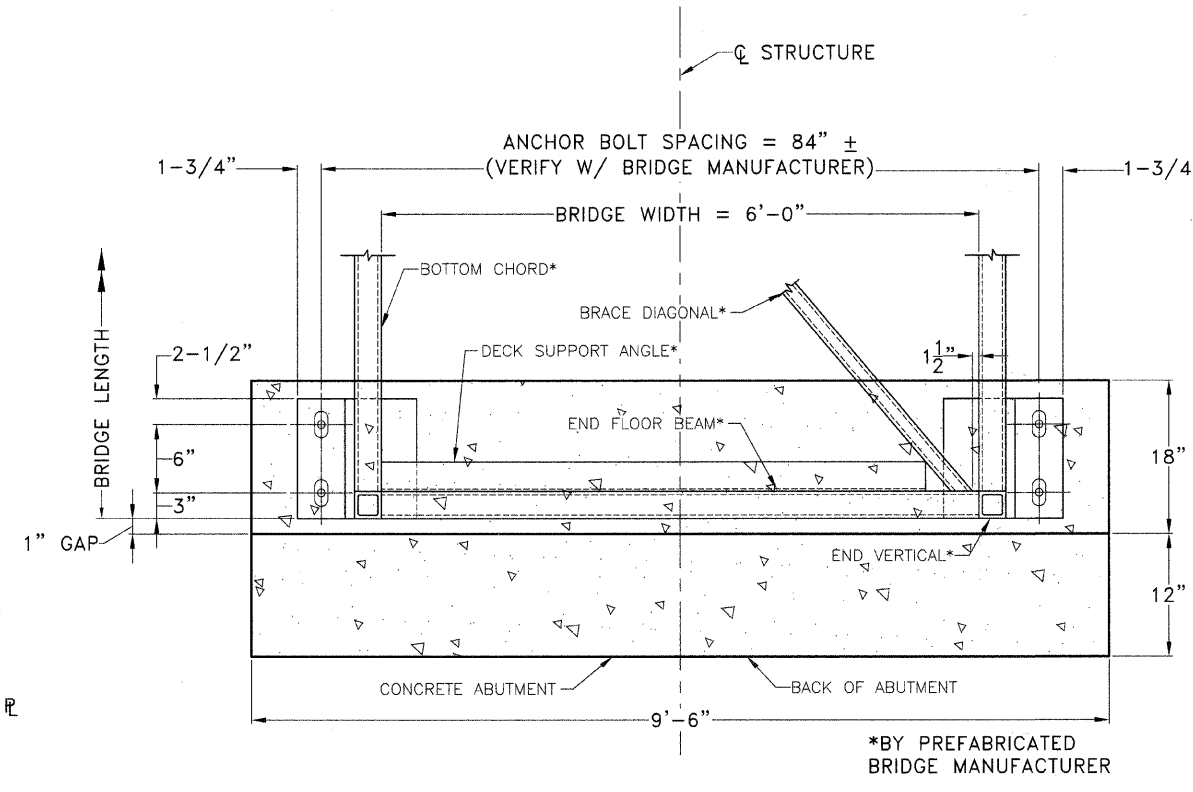
5.) PILES ON EXISTING FOUNDATIONS SHALL BE DRIVEN TO TOP OF EXISTING FOOTING. LIGHTLY TAP PILE AT TOP OF FOOTING. CARE SHALL BE TAKEN NOT TO DAMAGE FOOTING. AS AN ALTERNATE, PILES MAY BE PLACED IN PRECURED HOLES TO TOP OF FOOTING.

1304 GEMINI CIRCLE
 OTTAWA, IL 61350-6892
 TEL: 815-434-3925
 FAX: 815-434-3933

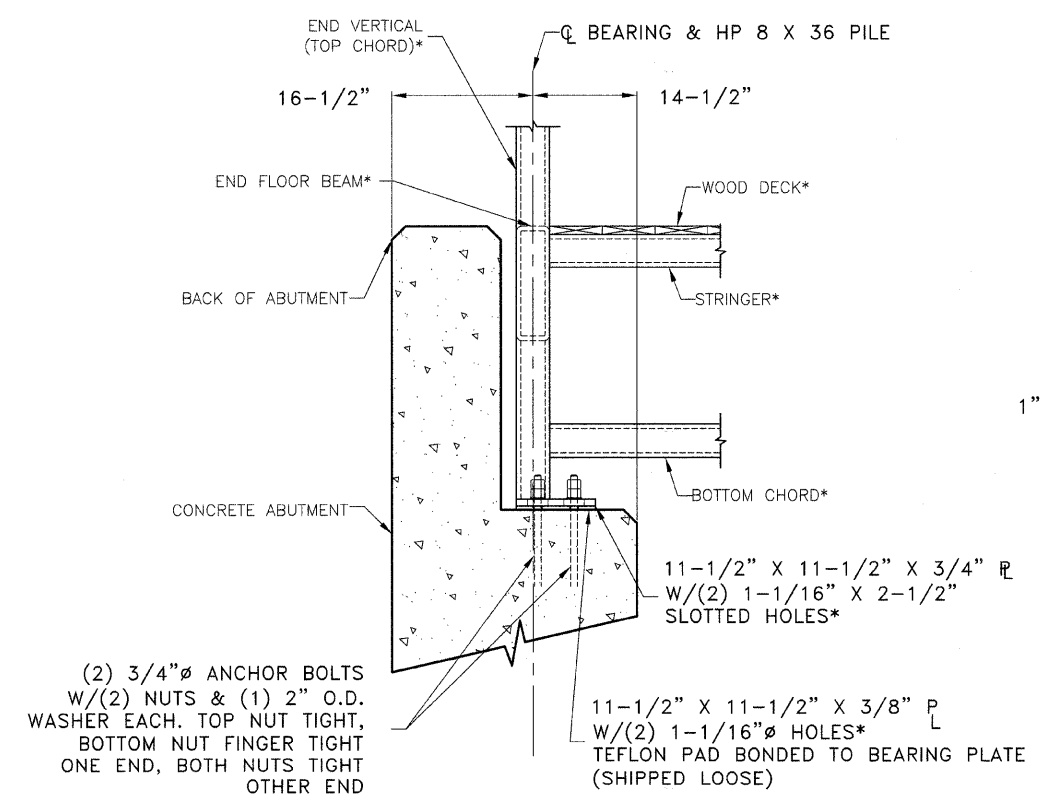
ETSCHEID
DUTTLINGER
& ASSOCIATES INC.
 Professional Engineers & Land Surveyors

PROFESSIONAL DESIGN
 FIRM # 184-000711
 DATE PLOTTED:
 OCTOBER 21, 2009
 DRAWN BY:
 R.M.S.
 CHECKED BY:
 PROJECT NUMBER:
 2057.92
 DRAWING FILE:
 J:\205792_BRIDGE.DWG

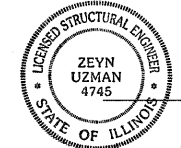
SHEET NO.
9 OF 15



PEDESTRIAN TRUSS SUPERSTRUCTURE BEARING ASSEMBLY - PLAN VIEW
NOT TO SCALE



PEDESTRIAN TRUSS SUPERSTRUCTURE BEARING ASSEMBLY - SIDE VIEW
NOT TO SCALE



ZEYN B. UZMAN
 S.E. NO. 081-004745
 EXPIRES NOVEMBER 30, 2010

DATE: 10/21/09