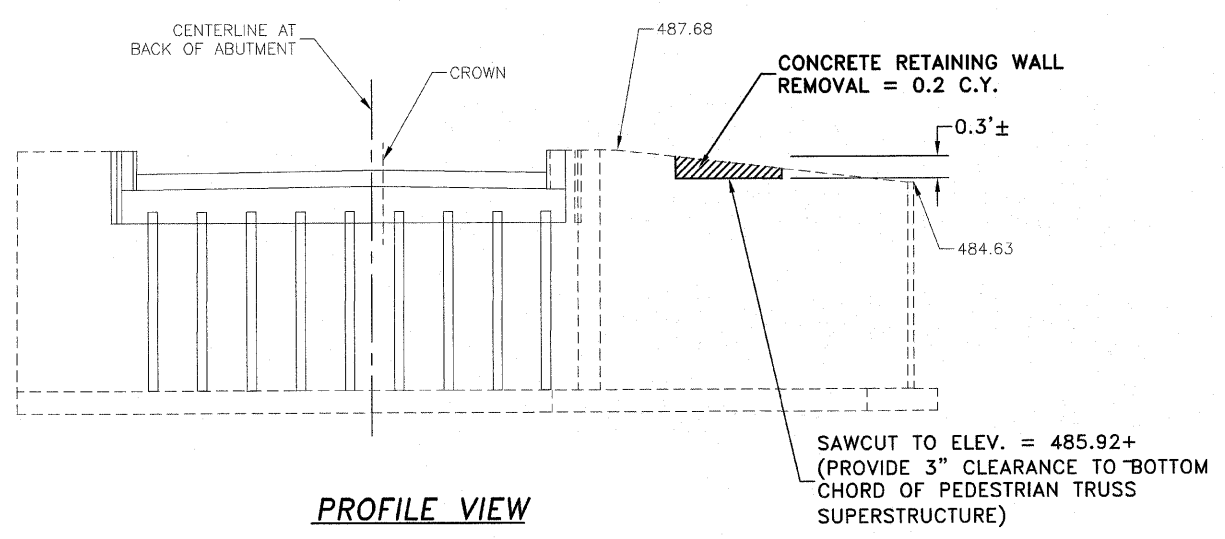
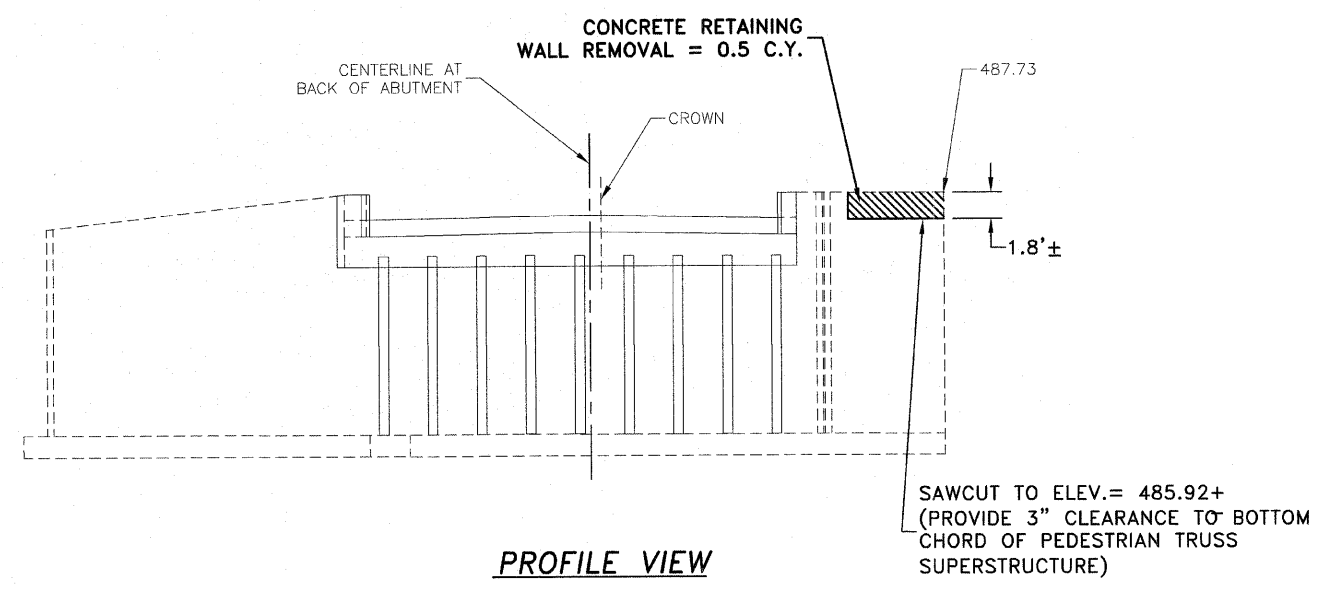


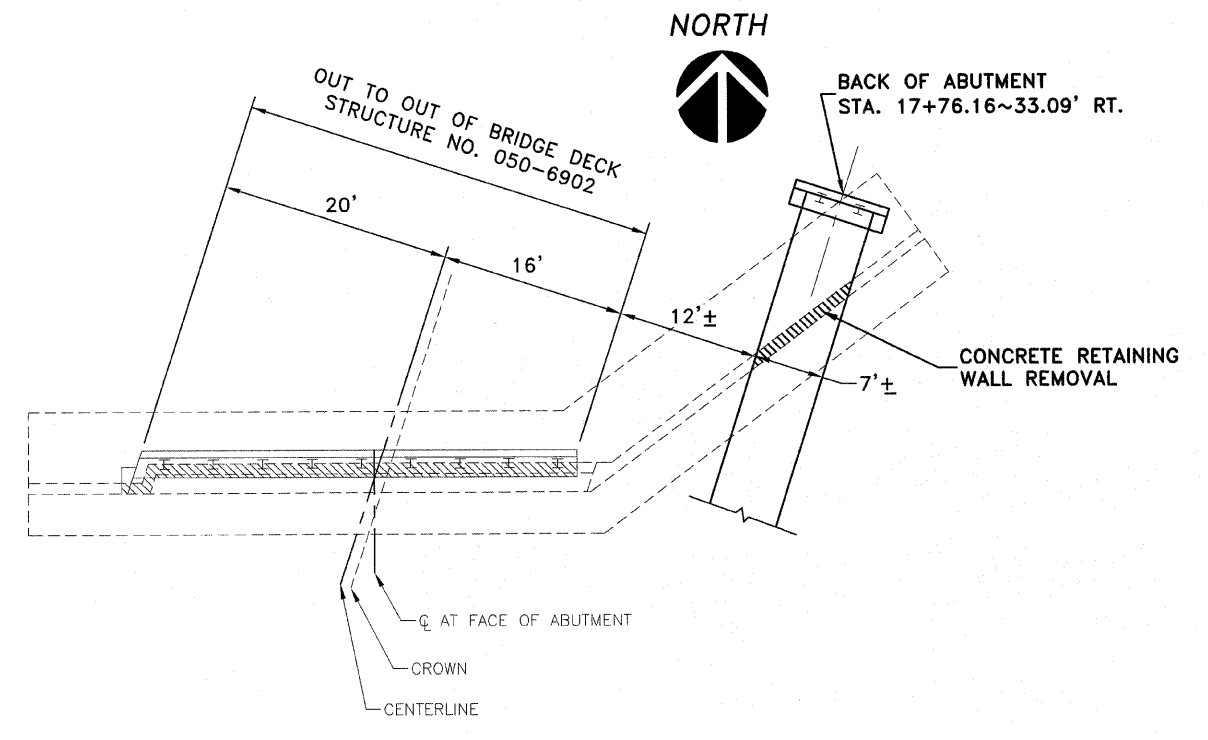
| F.A.S. ROUTE NO. | SECTION | ILLINOIS PROJECT | CONTRACT NO. | COUNTY | TOTAL SHEETS | SHEET NUMBER |
|------------------|----------------|------------------|--------------|---------|--------------|--------------|
| 268 | 06-00173-00-SW | TE-0003(58) | 87359 | LASALLE | 15 | 11 |



PROFILE VIEW

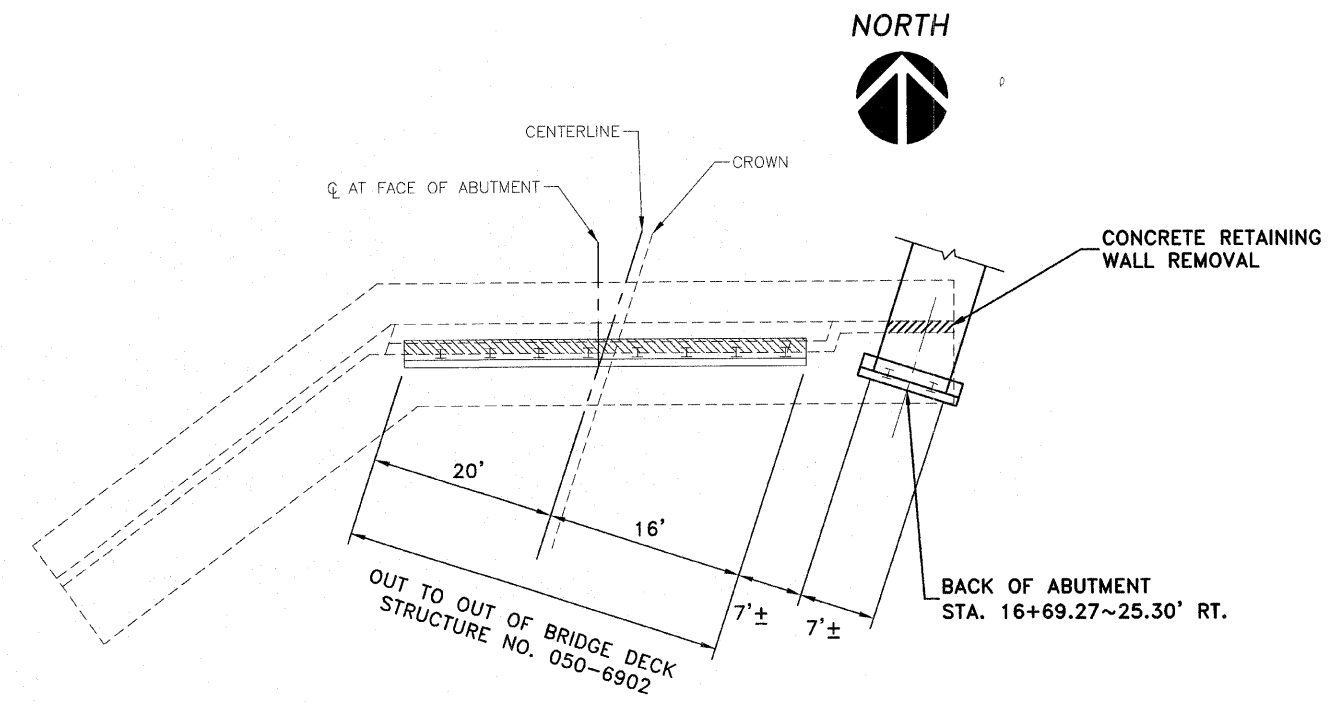


PROFILE VIEW



PLAN VIEW

NORTH ABUTMENT - SOUTH MILL RACE
NOT TO SCALE



PLAN VIEW

SOUTH ABUTMENT - SOUTH MILL RACE
NOT TO SCALE

F.A.S. 268 - MAIN STREET
SECTION 06-00173-00-SW
CITY OF MARSEILLES, LASALLE COUNTY

1304 GEMINI CIRCLE
 OTTAWA, IL 61350-1692
 TEL: 815-484-8925
 FAX: 815-484-8953

E TSCHIED
DUTTLINGER & ASSOCIATES INC.
 Professional Engineers & Land Surveyors

| |
|---------------------------------------|
| PROFESSIONAL DESIGN FIRM # 184-000711 |
| DATE PLOTTED: OCTOBER 21, 2009 |
| DRAWN BY: R.M.S. |
| CHECKED BY: |
| PROJECT NUMBER: 2057.92 |
| DRAWING FILE: 205792_EXIST_WALL |
| SHEET NO. |
| 11 OF 15 |