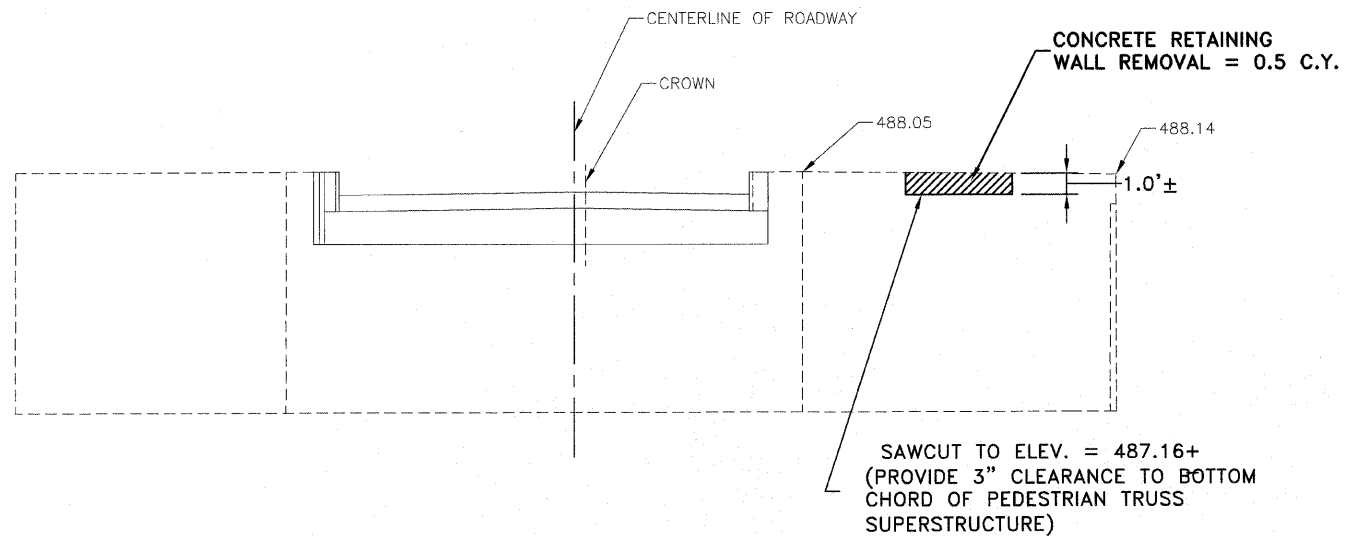


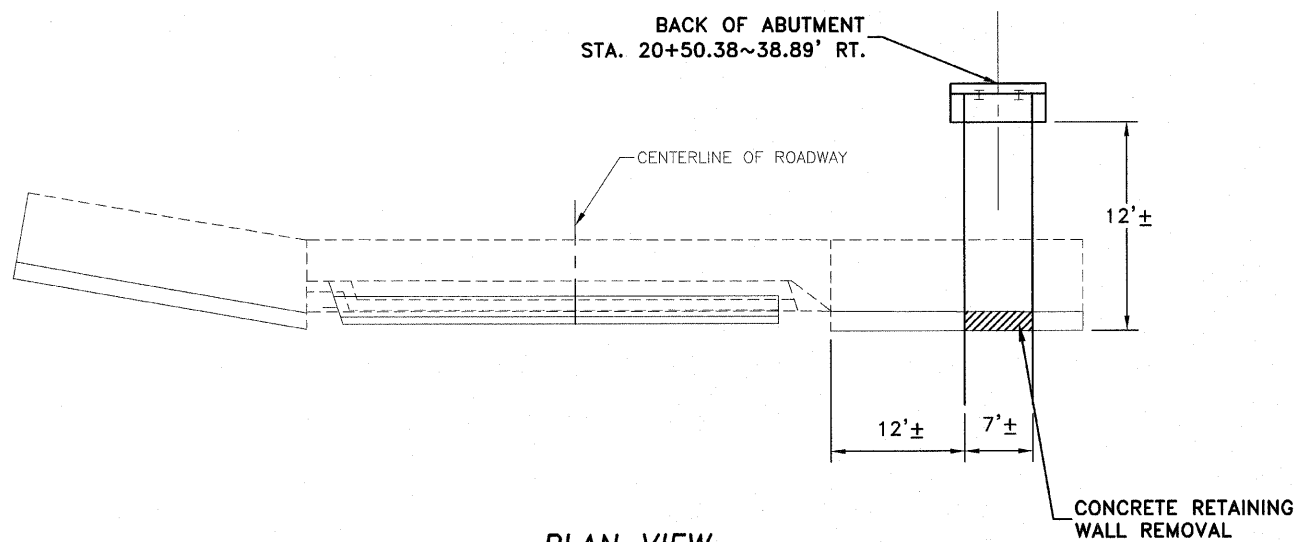
F.A.S. ROUTE NO.	SECTION	ILLINOIS PROJECT	CONTRACT NO.	COUNTY	TOTAL SHEETS	SHEET NUMBER
268	06-00173-00-SW	TE-0003(58)	87359	LASALLE	15	12

**F.A.S. 268 - MAIN STREET**  
**SECTION 06-00173-00-SW**  
**CITY OF MARSEILLES, LASALLE COUNTY**



**PROFILE VIEW**

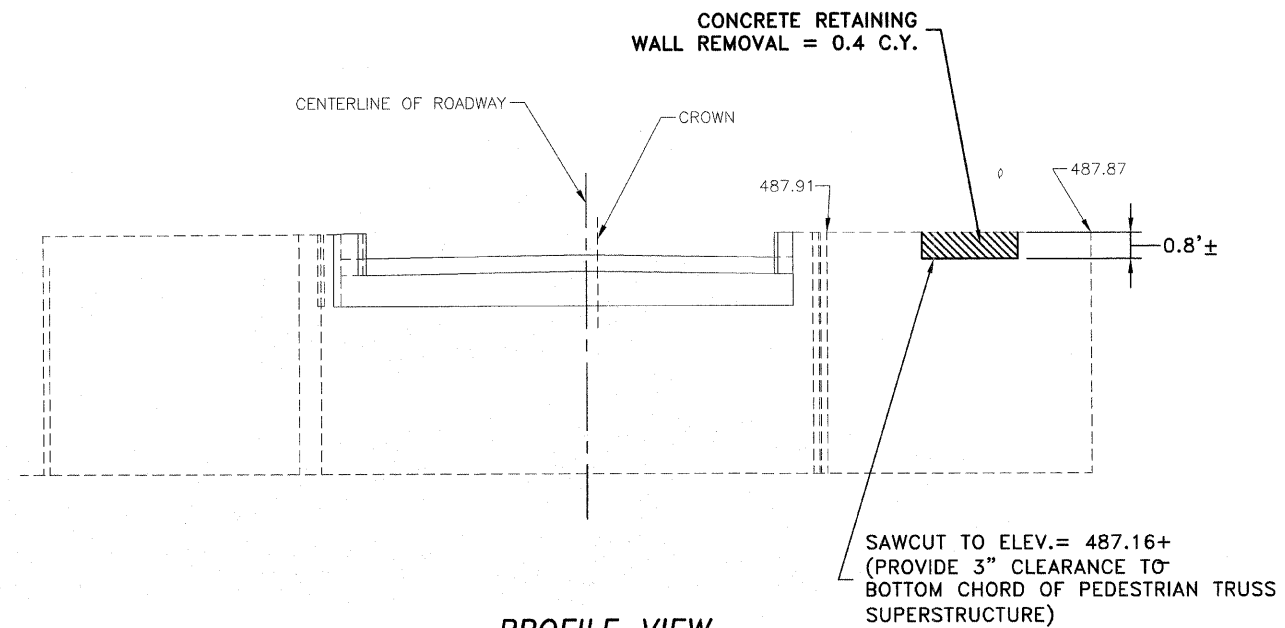
**NORTH**



**PLAN VIEW**

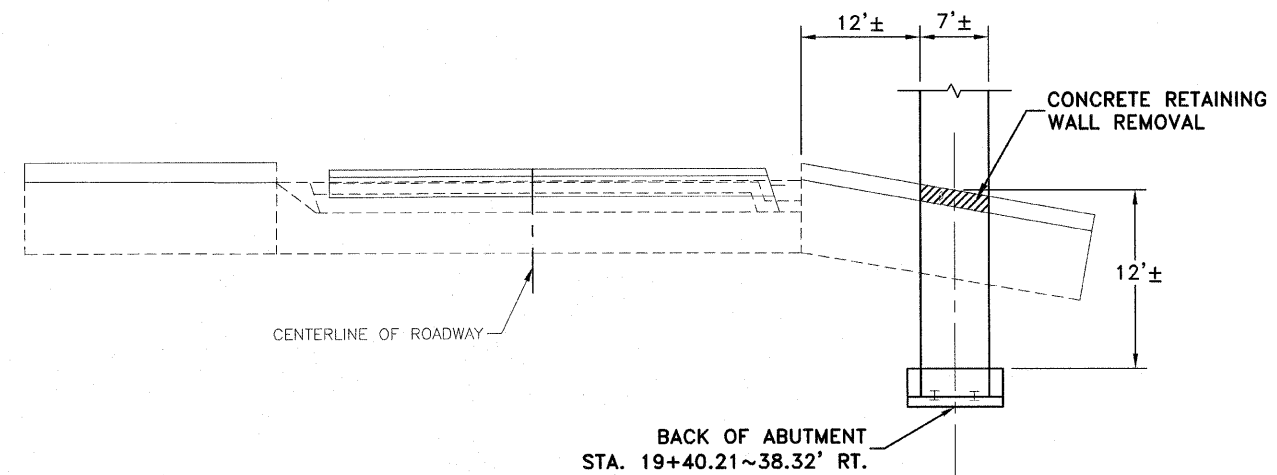
**NORTH ABUTMENT - NORTH MILL RACE**

NOT TO SCALE



**PROFILE VIEW**

**NORTH**



**PLAN VIEW**

**SOUTH ABUTMENT - NORTH MILL RACE**

NOT TO SCALE

1304 GEMINI CIRCLE  
 OTTAWA, IL 61350-1602  
 TEL: 315-434-3923  
 FAX: 315-434-3933

**ETSCHEID**  
**DUTTLINGER**  
**& ASSOCIATES, INC.**  
 Professional Engineers & Land Surveyors

PROFESSIONAL DESIGN  
 FIRM # 184-000711  
 DATE PLOTTED:  
 OCTOBER 21, 2009  
 DRAWN BY:  
 R.M.S.  
 CHECKED BY:

PROJECT NUMBER:  
 2057.92  
 DRAWING FILE:  
 205792\_EXIST\_WALL  
**SHEET NO.**  
**12 OF 15**