

STATE OF ILLINOIS  
DEPARTMENT OF TRANSPORTATION  
DIVISION OF HIGHWAYS

**PLANS FOR PROPOSED  
FEDERAL ENHANCEMENT PROJECT**

FUNDING TYPE: AMERICAN RECOVERY &  
REINVESTMENT ACT

FAS 268 (MAIN STREET)  
SECTION 06-00173-00-SW  
PROJECT NO. ARA-00D3(58)  
JOB NO. C-93-078-07  
CONTRACT NO. 87359

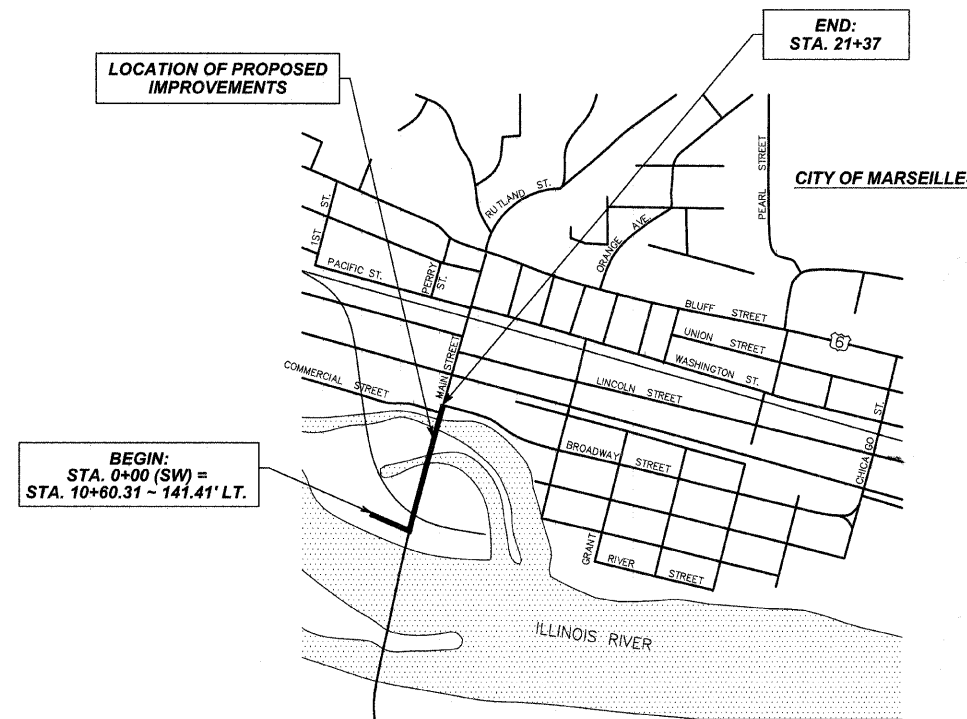
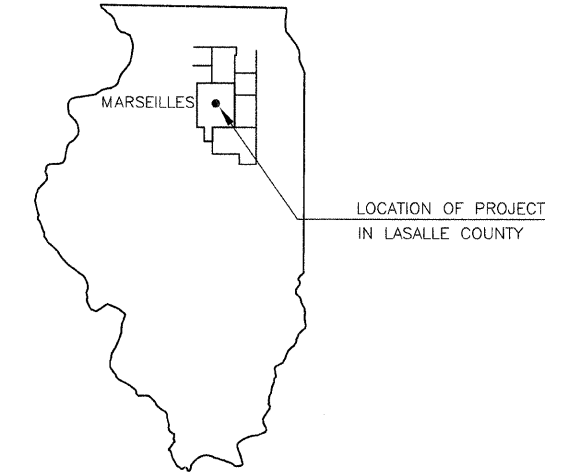
F.A.S. ROUTE NO.	SECTION	ILLINOIS PROJECT NO.	CONTRACT NO.	COUNTY	TOTAL SHEETS	SHEET NUMBER
268	06-00173-00-SW	ARA-00D3(58)	87359	LASALLE	15	1

**INDEX OF SHEETS**

NO.	DESCRIPTION
1	COVER SHEET
2	SUMMARY OF QUANTITIES AND GENERAL NOTES
3	TYPICAL SECTIONS
4	SCHEDULE OF QUANTITIES
5-7	PLAN & PROFILES
8	BRIDGE APPROACH DETAILS
9	PEDESTRIAN TRUSS SUPERSTRUCTURE DETAILS
10	PEDESTRIAN TRUSS SUPERSTRUCTURE ABUTMENT DETAILS
11	SOUTH MILL RACE WING WALL MODIFICATION DETAILS
12	NORTH MILL RACE RETAINING WALL MODIFICATION DETAILS
13-15	SIDEWALK CROSS SECTIONS

**STANDARDS**

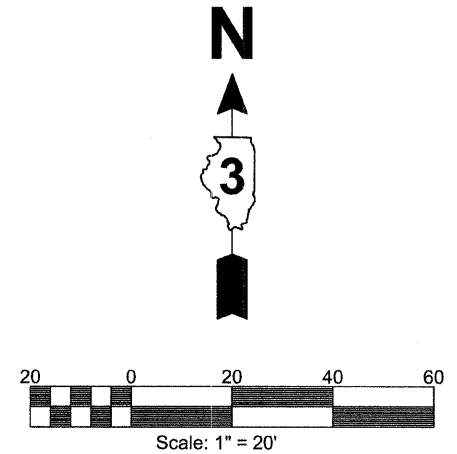
- 280001-05 TEMPORARY EROSION CONTROL SYSTEMS
- 424001-05 CURB RAMPS FOR SIDEWALKS
- 606001-04 CONCRETE CURB TYPE B AND COMBINATION CONCRETE CURB AND GUTTER
- 701501-05 URBAN LANE CLOSURE, 2L, 2W - UNDIVIDED
- 701901-01 TRAFFIC CONTROL DEVICES



BEGIN:  
STA. 0+00 (SW) =  
STA. 10+60.31 ~ 141.41' LT.

END:  
STA. 21+37

GROSS LENGTH OF IMPROVEMENT = 1300' (0.25 MILES)  
NET LENGTH OF IMPROVEMENT = 920' (0.17 MILES)



LOCATION MAP : NOT TO SCALE  
TYPICAL SECTIONS : NOT TO SCALE  
PLAN SHEETS : HORIZ. : 1" = 20'

FULL SIZE PLANS HAVE BEEN PREPARED USING STANDARD ENGINEERING SCALES. REDUCED SIZE PLANS WILL NOT CONFORM TO STANDARD SCALES. IN MAKING MEASUREMENTS ON REDUCED PLANS, THE ABOVE SCALE MAY BE USED.

J.U.L.I.E. SYSTEM - THE TOLL FREE TELEPHONE NUMBER FOR JOINT UTILITY LOCATION INFORMATION FOR EXCAVATION IS 1-800-892-0123

PREPARED BY: *Michael A. Etscheid*  
MICHAEL A. ETSCHIED  
I.R.P.E. NO. 62-32881  
EXPIRES NOVEMBER 30, 2011



DATE: Dec 3, 2009

APPROVED: *James H. Trap*  
MAYOR, CITY OF MARSEILLES

APPROVED: *Bernard R. Long*  
DISTRICT 3 ENGINEER OF LOCAL ROADS & STREETS

APPROVED: *George F. Ryan*  
DEPUTY DIRECTOR OF HIGHWAYS, REGION 2  
STATE OF ILLINOIS  
DEPARTMENT OF TRANSPORTATION

SECTION 06-00173-00-SW  
MARSEILLES RIVERFRONT BEAUTIFICATION

**ETSCHIED  
DUTTLINGER  
& ASSOCIATES INC.**  
Professional Engineers & Land Surveyors

1304 Gemini Circle  
Ottawa, Illinois 61350  
TEL: 815-434-3925  
FAX: 815-434-3953

PROFESSIONAL DESIGN FIRM # 184-000711  
SHEET NO. 1 OF 15

DATE PLOTTED: OCTOBER 21, 2009 FILENAME: J:\205792\_COVER

F.A.S. ROUTE NO.	SECTION	ILLINOIS PROJECT	CONTRACT NO.	COUNTY	TOTAL SHEETS	SHEET NUMBER
268	06-00173-00-SW	TE-00D3(58)	87359	LASALLE	15	2

### SUMMARY OF QUANTITIES

NO.	DESCRIPTION	UNIT	SIDEWALK QTY	STRUCTURE QTY	TOTAL QTY
20200100	EARTH EXCAVATION	CU YD	292	-	292
21101615	TOPSOIL FURNISH & PLACE, 4"	SQ YD	581	-	581
25000115	SEEDING, CLASS 1B	ACRE	0.2	-	0.2
25000400	NITROGEN FERTILIZER NUTRIENT	POUND	18	-	18
25000500	PHOSPHOROUS FERTILIZER NUTRIENT	POUND	18	-	18
25000600	POTASSIUM FERTILIZER NUTRIENT	POUND	18	-	18
25100115	MULCH, METHOD 2	ACRE	0.2	-	0.2
28000400	PERIMETER EROSION BARRIER	FOOT	609	-	609
28000500	INLET & PIPE PROTECTION	EACH	2	-	2
35100120	AGGREGATE BASE COURSE, TYPE A, 2"	SQ YD	433	-	433
42400100	PORTLAND CEMENT CONCRETE SIDEWALK, 4"	SQ FT	3528	-	3528
42400200	PORTLAND CEMENT CONCRETE SIDEWALK, 5"	SQ FT	366	-	366
42400800	DETECTABLE WARNINGS	SQ FT	26	-	26
44000100	PAVEMENT REMOVAL	SQ YD	74	-	74
44000600	SIDEWALK REMOVAL	SQ FT	116	-	116
* 50104605	CONCRETE RETAINING WALL REMOVAL	CU YD	-	1.6	1.6
50200100	STRUCTURE EXCAVATION	CU YD	-	30	30
50300225	CONCRETE STRUCTURES	CU YD	-	10.4	10.4
50800105	REINFORCEMENT BARS	POUND	-	920	920
50900605	HANDRAIL REMOVAL	FOOT	-	10	10
51201300	FURNISH STEEL PILES HP 8X36	FOOT	-	158	158
51202305	DRIVING PILES	FOOT	-	150	150
* 60600705	CONCRETE CURB, TYPE B (ABUTTING EXISTING PAVEMENT)	FOOT	77	-	77
* 66410300	CHAIN LINK FENCE REMOVAL	FOOT	22	-	22
67100100	MOBILIZATION	L SUM	1	-	1
70102620	TRAFFIC CONTROL & PROTECTION STANDARD 701501	L SUM	1	-	1
Δ 78001150	PAINT PAVEMENT MARKING - LINE 12"	FOOT	121	-	121
* XX001758	WOOD FENCE REMOVAL	FOOT	32	-	32
* X0322508	PEDESTRIAN TRUSS SUPERSTRUCTURE	SQ FT	-	1278	1278

\* SEE SPECIAL PROVISIONS

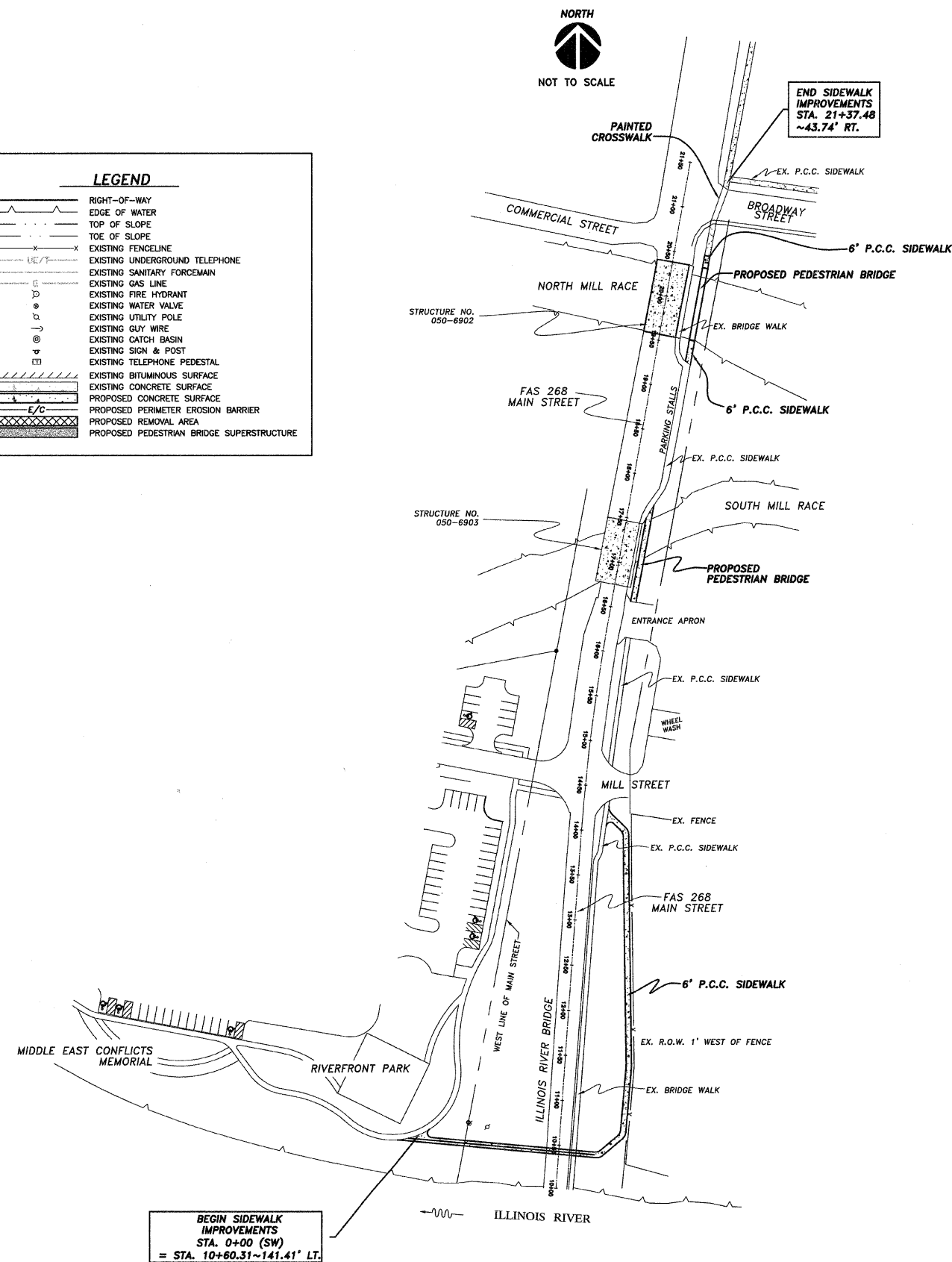
Δ SPECIALTY ITEMS

#### GENERAL NOTES:

- 1.) ALL ELEVATIONS REFER TO U.S.G.S. MEAN SEA LEVEL DATUM.
- 2.) ABANDONED UNDERGROUND UTILITIES THAT CONFLICT WITH CONSTRUCTION SHALL BE DISPOSED OF OUTSIDE THE LIMITS OF THE RIGHT OF WAY ACCORDING TO ARTICLE 202.03 OF THE STANDARD SPECIFICATIONS (IDOT) AND AS DIRECTED BY THE ENGINEER. THIS WORK WILL NOT BE PAID FOR SEPARATELY, BUT SHALL BE INCLUDED IN THE COST OF EARTH EXCAVATION.
- 3.) ANY REFERENCE TO A STANDARD IN THESE PLANS SHALL BE INTERPRETED TO MEAN THE EDITION AS INDICATED BY THE SUBNUMBER SHOWN IN THE LIST OF STANDARDS INCLUDED IN THESE PLANS.
- 4.) MEMBERS OF JULIE KNOWN TO BE WITHIN THE LIMITS OF THE IMPROVEMENTS ARE:

AT&T: 65 W. WEBSTER STREET, FLOOR 3 - ENGINEERING, JOLIET, ILLINOIS 60431  
 MARSEILLES TELEPHONE: 244 LINCOLN STREET, MARSEILLES, ILLINOIS 61341  
 CITY OF MARSEILLES: 209 LINCOLN STREET, MARSEILLES, ILLINOIS 61341  
 AMEREN: 340 RACCUGLIA DRIVE, P.O. BOX 1428, LASALLE, ILLINOIS 61301  
 NICOR: 1844 FERRY ROAD, NAPERVILLE, ILLINOIS 60563  
 MEDIACOM: 2506-1/2 N. BLOOMINGTON STREET, STREATOR, ILLINOIS 61364

LEGEND	
	RIGHT-OF-WAY
	EDGE OF WATER
	TOP OF SLOPE
	TOE OF SLOPE
	EXISTING FENCELINE
	EXISTING UNDERGROUND TELEPHONE
	EXISTING SANITARY FORCE MAIN
	EXISTING GAS LINE
	EXISTING FIRE HYDRANT
	EXISTING WATER VALVE
	EXISTING UTILITY POLE
	EXISTING GUY WIRE
	EXISTING CATCH BASIN
	EXISTING SIGN & POST
	EXISTING TELEPHONE PEDESTAL
	EXISTING BITUMINOUS SURFACE
	EXISTING CONCRETE SURFACE
	PROPOSED CONCRETE SURFACE
	PROPOSED PERIMETER EROSION BARRIER
	PROPOSED REMOVAL AREA
	PROPOSED PEDESTRIAN BRIDGE SUPERSTRUCTURE



F.A.S. 268 - MAIN STREET  
 SECTION 06-00173-00-SW  
 CITY OF MARSEILLES, LASALLE COUNTY

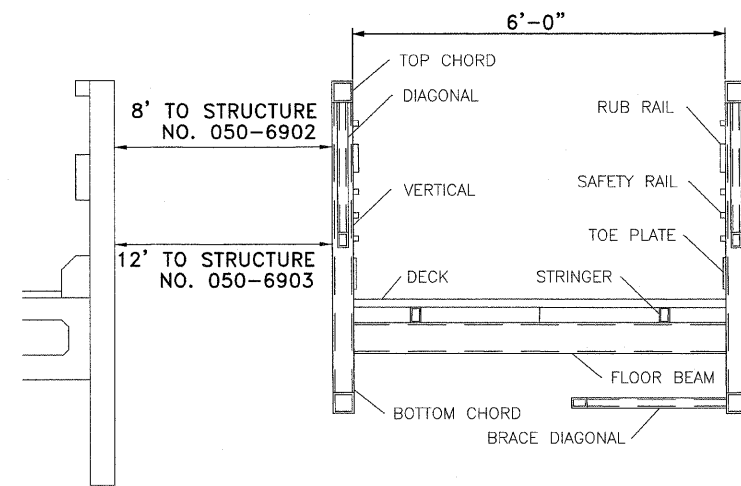
1304 GEMINI CIRCLE  
 OTTAWA, IL 61350-1692  
 TEL: 815-434-3925  
 FAX: 815-434-3923

ETSCH  
 DUTTLINGER  
 & ASSOCIATES  
 Professional Engineers & Land Surveyors

PROFESSIONAL DESIGN  
 FIRM # 184-000711  
 DATE PLOTTED:  
 OCTOBER 21, 2009  
 DRAWN BY:  
 A.R.G.  
 CHECKED BY:

PROJECT NUMBER:  
 2057.92  
 DRAWING FILE:  
 205792\_NOTES

SHEET NO.  
2 OF 15

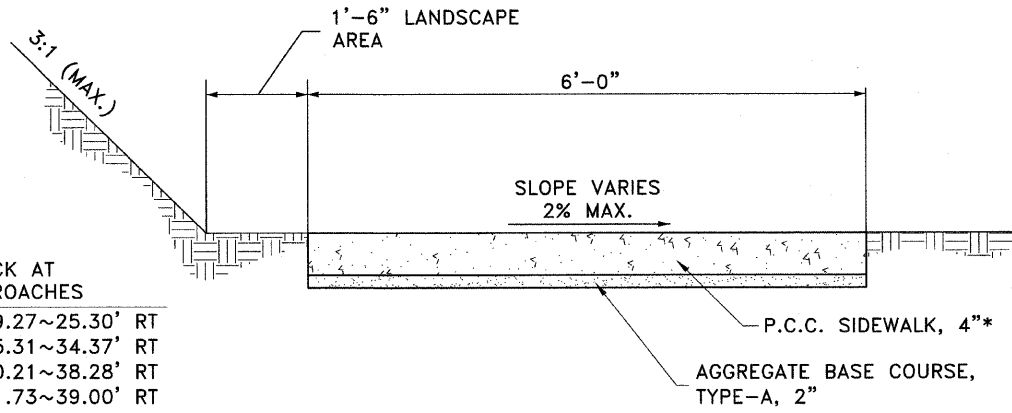


**TYPICAL PEDESTRIAN TRUSS SUPERSTRUCTURE SECTION**  
 STA 16+70.32~25.38' RT TO STA 17+75.16~33.02' RT  
 AND  
 STA 19+41.29~38.33' RT TO STA. 20+49.29~38.88' RT

**BORING LOG #1**  
 STA 17+40.19 ~ 23.32' LT.  
 ELEVATION = 487.3

DEPTH (FEET)	DESCRIPTION OF MATERIALS	TEST NO.	TEST DATE	TESTER	REMARKS
0.00	Surface				
1.00	Medium Brown Fine To Coarse Sand	1	08/10/09	NA	
2.00	Loose Brown Fine To Coarse Sand	2	08/10/09	NA	
3.00	Loose Brown Fine To Coarse Sand	3	08/10/09	NA	
4.00	Loose Brown Fine To Coarse Sand	4	08/10/09	NA	
5.00	Loose Brown Fine To Coarse Sand	5	08/10/09	NA	
6.00	Medium Brown And Black Shaly Loam To Sand	6	08/10/09	NA	
7.00	Medium Brown And Black Shaly Loam To Sand	7	08/10/09	NA	

**BORING LOG #1**  
 STA 17+40.19 ~ 23.32' LT.  
 ELEVATION = 487.3



\*SIDEWALK SHALL BE 5" THICK AT ALL PEDESTRIAN BRIDGE APPROACHES

STA 16+59.67~24.52' RT TO STA 16+69.27~25.30' RT  
 STA 17+76.16~33.09' RT TO STA 17+95.31~34.37' RT  
 STA 19+30.89~36.82' RT TO STA 19+40.21~38.28' RT  
 STA 20+50.38~38.89' RT TO STA 20+71.73~39.00' RT

**TYPICAL SIDEWALK SECTION**

**BORING LOG #2**  
 STA 16+70.94 ~ 29.00' RT.  
 ELEVATION = 487.4

DEPTH (FEET)	DESCRIPTION OF MATERIALS	TEST NO.	TEST DATE	TESTER	REMARKS
0.00	Surface				
1.00	Loose Brown Fine To Coarse Sand	1	08/10/09	NA	
2.00	Loose Brown Fine To Coarse Sand	2	08/10/09	NA	
3.00	Loose Brown Fine To Coarse Sand	3	08/10/09	NA	
4.00	Medium Brown Fine Coarse Sand With Limestone Fragments	4	08/10/09	NA	
5.00	Loose Brown And Black Sand	5	08/10/09	NA	
6.00	Loose Brown And Black Sand	6	08/10/09	NA	
7.00	Medium Brown And Black Shaly Loam To Sand	7	08/10/09	NA	

**BORING LOG #2**  
 STA 16+70.94 ~ 29.00' RT.  
 ELEVATION = 487.4

1304 GEMINI CIRCLE  
 OTTAWA, IL 61350-1692  
 TEL: 815-434-3925  
 FAX: 815-434-3923

**ETSCHEID DUTTLINGER & ASSOCIATES**  
 Professional Engineers & Land Surveyors

PROFESSIONAL DESIGN  
 FIRM # 184-000711  
 DATE PLOTTED:  
 OCTOBER 21, 2009  
 DRAWN BY:  
 A.R.G.  
 CHECKED BY:

PROJECT NUMBER:  
 2057.92  
 DRAWING FILE:  
 205792\_NOTES

SHEET NO.  
**3 OF 15**

F.A.S. ROUTE NO.	SECTION	ILLINOIS PROJECT	CONTRACT NO.	COUNTY	TOTAL SHEETS	SHEET NUMBER
268	06-00173-00-SW	TE-00D3(58)	87359	LASALLE	15	4

**SCHEDULE OF QUANTITIES**

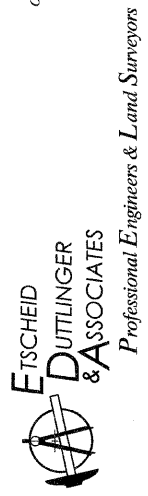
<u>20200100 EARTH EXCAVATION</u>	
<u>CU YD</u>	<u>LOCATION</u>
286	STA 0+00 (SW) TO STA 14+14
1	STA 16+60 TO STA 16+69
2	STA 17+76 TO STA 17+95
1	STA 19+31 TO STA 19+40
1	STA 20+50 TO STA 20+72
292	TOTAL
<u>21101615 TOPSOIL FURNISH &amp; PLACE, 4"</u>	
<u>SQ YD</u>	<u>LOCATION</u>
499	STA 0+00 (SW) TO STA 14+14
7	STA 16+60 TO STA 16+69
20	STA 17+76 TO STA 17+95
10	STA 19+31 TO STA 19+40
45	STA 20+50 TO STA 20+72
581	TOTAL
<u>25000115 SEEDING, CLASS 1B</u>	
<u>ACRE</u>	<u>LOCATION</u>
0.1	STA 0+00 (SW) TO STA 14+14
0.1	AS REQUIRED AROUND SIDEWALKS AND ABUTMENTS, AND AS DIRECTED BY THE ENGINEER
0.2	TOTAL
<u>25000400 NITROGEN FERTILIZER NUTRIENT</u>	
<u>POUND</u>	<u>LOCATION</u>
9	STA 0+00 (SW) TO STA 14+14
9	AS REQUIRED AROUND SIDEWALKS AND ABUTMENTS, AND AS DIRECTED BY THE ENGINEER
18	TOTAL
<u>25000500 PHOSPHOROUS FERTILIZER NUTRIENT</u>	
<u>POUND</u>	<u>LOCATION</u>
9	STA 0+00 (SW) TO STA 14+14
9	AS REQUIRED AROUND SIDEWALKS AND ABUTMENTS, AND AS DIRECTED BY THE ENGINEER
18	TOTAL
<u>25000600 POTASSIUM FERTILIZER NUTRIENT</u>	
<u>POUND</u>	<u>LOCATION</u>
9	STA 0+00 (SW) TO STA 14+14
9	AS REQUIRED AROUND SIDEWALKS AND ABUTMENTS, AND AS DIRECTED BY THE ENGINEER
18	TOTAL
<u>25100115 MULCH, METHOD 2</u>	
<u>ACRE</u>	<u>LOCATION</u>
0.1	STA 0+00 (SW) TO STA 14+14
0.1	AS REQUIRED AROUND SIDEWALKS AND ABUTMENTS, AND AS DIRECTED BY THE ENGINEER
0.2	TOTAL
<u>28000400 PERIMETER EROSION BARRIER</u>	
<u>FOOT</u>	<u>LOCATION</u>
609	STA 0+00 (SW) TO STA 14+14
609	TOTAL
<u>28000500 INLET &amp; PIPE PROTECTION</u>	
<u>EACH</u>	<u>LOCATION</u>
1	STA 11+44 RT
1	STA 14+06 RT
2	TOTAL
<u>35100120 AGGREGATE BASE COURSE, TYPE A, 2"</u>	
<u>SQ YD</u>	<u>LOCATION</u>
386.5	STA 0+00 (SW) TO STA 14+14
13	STA 16+60 TO STA 16+69
6.5	STA 17+76 TO STA 17+95
6.5	STA 19+31 TO STA 19+40
15	STA 20+50 TO STA 20+72
5.5	STA 21+32 TO STA 21+37
433	TOTAL

<u>42400100 PORTLAND CEMENT CONCRETE SIDEWALK, 4"</u>	
<u>SQ FT</u>	<u>LOCATION</u>
3479	STA 0+00 (SW) TO STA 14+14
49	STA 21+32 TO STA 21+37
3528	TOTAL
<u>42400200 PORTLAND CEMENT CONCRETE SIDEWALK, 5"</u>	
<u>SQ FT</u>	<u>LOCATION</u>
58	STA 16+60 TO STA 16+69
116	STA 17+76 TO STA 17+95
58	STA 19+31 TO STA 19+40
134	STA 20+50 TO STA 20+72
366	TOTAL
<u>42400800 DETECTABLE WARNINGS</u>	
<u>SQ YD</u>	<u>LOCATION</u>
14	STA 20+72
12	STA 21+32
26	TOTAL
<u>44000100 PAVEMENT REMOVAL</u>	
<u>SQ YD</u>	<u>LOCATION</u>
4	STA 16+60 TO STA 16+71
70	STA 20+36 TO STA 20+75
74	TOTAL
<u>44000600 SIDEWALK REMOVAL</u>	
<u>SQ FT</u>	<u>LOCATION</u>
116	STA 17+66 TO STA 17+95
49	STA 21+32 TO STA 21+37
165	TOTAL
<u>* 50104605 CONCRETE RETAINING WALL REMOVAL</u>	
<u>CU YD</u>	<u>LOCATION</u>
0.5	STA 16+76
0.2	STA 17+61
0.4	STA 19+55
0.5	STA 20+35
1.6	TOTAL
<u>50200100 STRUCTURE EXCAVATION</u>	
<u>CU YD</u>	<u>LOCATION</u>
8	STA 16+69
8	STA 17+76
7	STA 19+40
7	STA 20+50
30	TOTAL
<u>50300225 CONCRETE STRUCTURES</u>	
<u>CU YD</u>	<u>LOCATION</u>
2.6	STA 16+69
2.6	STA 17+76
2.6	STA 19+40
2.6	STA 20+50
10.4	TOTAL
<u>50800105 REINFORCEMENT BARS</u>	
<u>POUND</u>	<u>LOCATION</u>
230	STA 16+69
230	STA 17+76
230	STA 19+40
230	STA 20+50
920	TOTAL
<u>50900605 HANDRAIL REMOVAL</u>	
<u>FOOT</u>	<u>LOCATION</u>
10	STA 20+36
10	TOTAL

<u>51201300 FURNISH STEEL PILES HP 8X36</u>	
<u>FOOT</u>	<u>LOCATION</u>
38	STA 16+69
40	STA 17+76
40	STA 19+40
40	STA 20+50
158	TOTAL
<u>51202305 DRIVING PILES</u>	
<u>FOOT</u>	<u>LOCATION</u>
36	STA 16+69
38	STA 17+76
38	STA 19+40
38	STA 20+50
150	TOTAL
<u>* 60600705 CONCRETE CURB, TYPE B (ABUTTING EXISTING PAVEMENT)</u>	
<u>FOOT</u>	<u>LOCATION</u>
77	STA 20+36 TO STA 20+75
77	TOTAL
<u>* 66410300 CHAIN LINK FENCE REMOVAL</u>	
<u>ACRE</u>	<u>LOCATION</u>
22	STA 17+58 TO STA 17+79
22	TOTAL
<u>67100100 MOBILIZATION</u>	
<u>L SUM</u>	<u>LOCATION</u>
1	AS REQUIRED
1	TOTAL
<u>70102620 TRAFFIC CONTROL &amp; PROTECTION STANDARD 701501</u>	
<u>L SUM</u>	<u>LOCATION</u>
1	AS REQUIRED OR AS DIRECTED BY THE ENGINEER
1	TOTAL
<u>78001150 PAINT PAVEMENT MARKING -- LINE 12"</u>	
<u>FOOT</u>	<u>LOCATION</u>
121	STA 20+72 TO STA 21+32
121	TOTAL
<u>* XX001758 WOOD FENCE REMOVAL</u>	
<u>FOOT</u>	<u>LOCATION</u>
32	STA 17+61 TO STA 17+90
<u>* X0322508 PEDESTRIAN TRUSS SUPERSTRUCTURE</u>	
<u>SQ FT</u>	<u>LOCATION</u>
630	STA 16+70 TO STA 17+75
648	STA 19+41 TO STA 20+49
1278	TOTAL

**F.A.S. 268 - MAIN STREET**  
**SECTION 06-00173-00-SW**  
**CITY OF MARSEILLES, LASALLE COUNTY**

1804 GEMINI CIRCLE  
 OTTAWA, IL 61350-1692  
 TEL: 815-434-3925  
 FAX: 815-434-3933

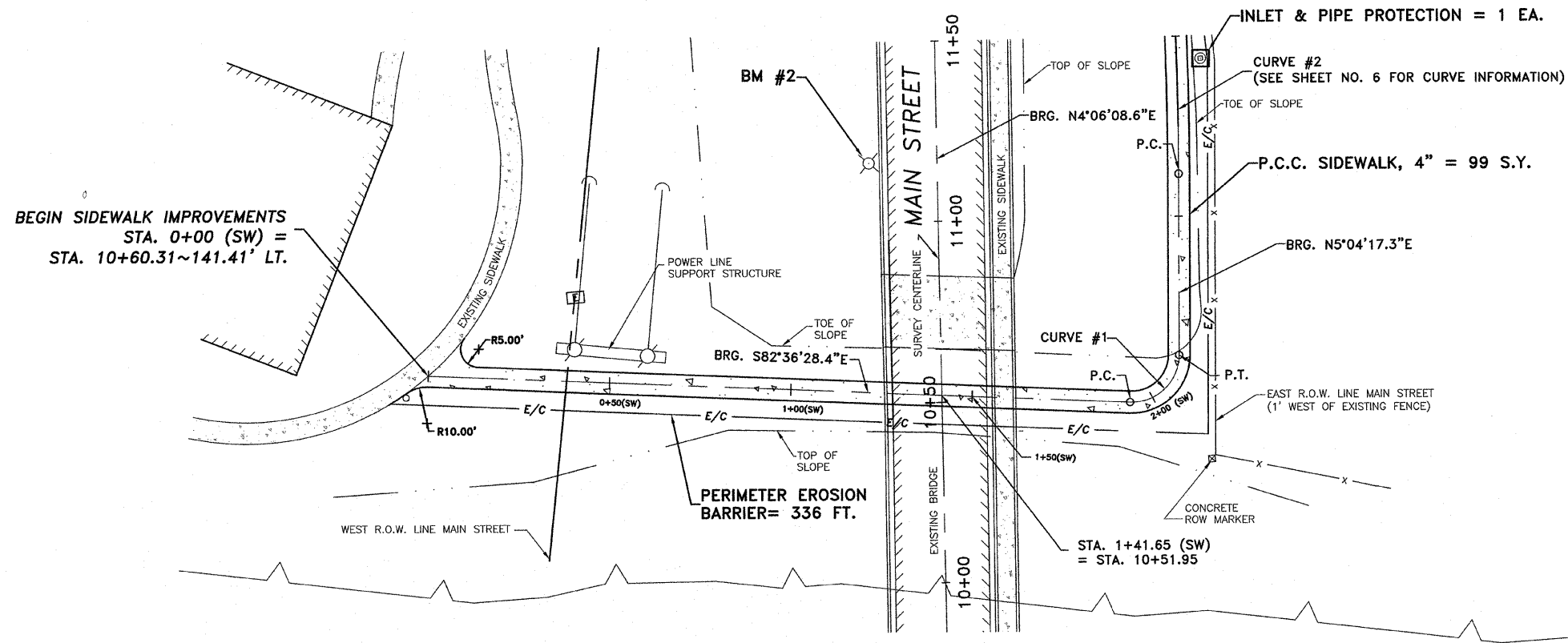


PROFESSIONAL DESIGN  
 FIRM # 184-000711  
 DATE PLOTTED:  
 OCTOBER 21, 2009  
 DRAWN BY:  
 A.R.G.  
 CHECKED BY:  
 PROJECT NUMBER:  
 2057.92  
 DRAWING FILE:  
 205792\_NOTES



SEE SHEET NO. 6

F.A.S. ROUTE NO.	SECTION	ILLINOIS PROJECT	CONTRACT NO.	COUNTY	TOTAL SHEETS	SHEET NUMBER
268	06-00173-00-SW		87359	LASALLE	15	5

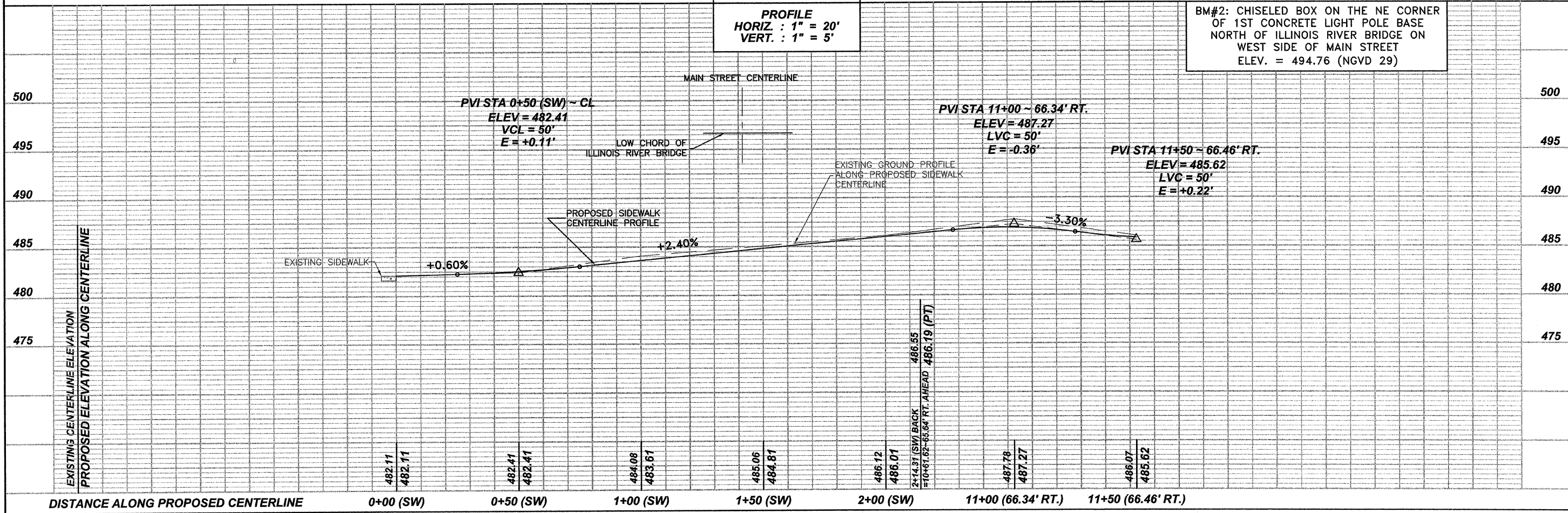


**CURVE #1 DATA**  
 P.C. STA. 1+93.37 (SW)  
 P.T. STA. 2+14.31 (SW)  
 P.I. STA. 2+06.94 (SW)  
 D = 92°19'14"  
 R = 13.00'  
 L = 20.95'  
 T = 13.54'  
 L.C. = 18.75'  
 CH. BRG. = N51°13'54.45"E

(SW) INDICATES STATIONING ALONG THE CENTERLINE OF THE PROPOSED SIDEWALK

**SCALES**  
**PLAN**  
 HORIZ. : 1" = 20'  
**PROFILE**  
 HORIZ. : 1" = 20'  
 VERT. : 1" = 5'

BM#2: CHISELED BOX ON THE NE CORNER OF 1ST CONCRETE LIGHT POLE BASE NORTH OF ILLINOIS RIVER BRIDGE ON WEST SIDE OF MAIN STREET ELEV. = 494.76 (NGVD 29)



**F.A.S. 268 - MAIN STREET**  
**SECTION 06-00173-00-SW**  
**CITY OF MARSEILLES, LASALLE COUNTY**

EBM GEMINT CIRCLE  
 OTTAWA, IL 61424  
 TEL: 815-464-8935  
 FAX: 815-464-8933

**E.TSCHEID**  
**DUTTLINGER**  
**& ASSOCIATES INC.**  
 Professional Engineers & Land Surveyors

PROFESSIONAL DESIGN  
 FIRM # 184-000711  
 DATE PLOTTED:  
 OCTOBER 21, 2009  
 DRAWN BY:  
 R.M.S.  
 CHECKED BY:  
 PROJECT NUMBER:  
 2057.92  
 DRAWING FILE:  
 J:\205792\_BASE2.DWG

SHEET NO.  
**5 OF 15**

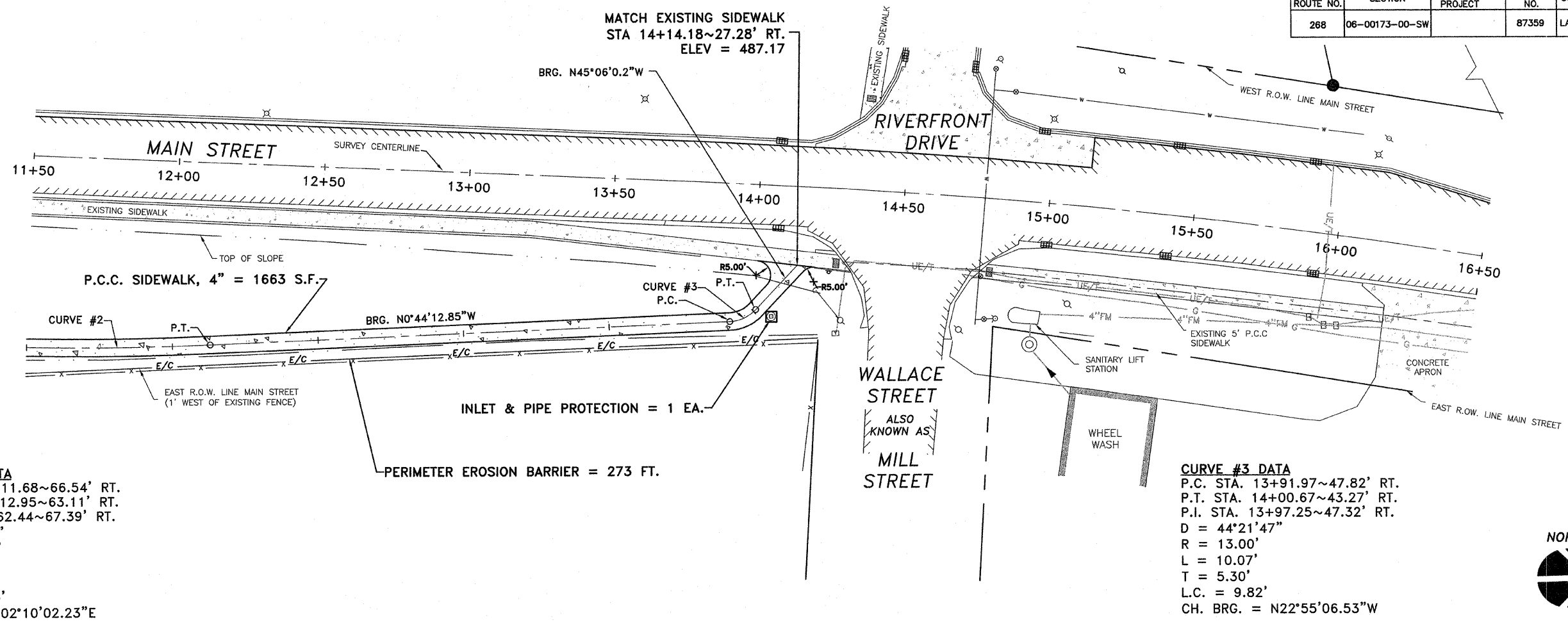
**SIDEWALK IMPROVEMENTS ~ 0+00 (SW) TO 11+50**

F.A.S. ROUTE NO.	SECTION	ILLINOIS PROJECT	CONTRACT NO.	COUNTY	TOTAL SHEETS	SHEET NUMBER
268	06-00173-00-SW		87359	LASALLE	15	6

**F.A.S. 268 - MAIN STREET**  
**SECTION 06-00173-00-SW**  
**CITY OF MARSEILLES, LASALLE COUNTY**

SEE SHEET NO. 5

SEE SHEET NO. 7

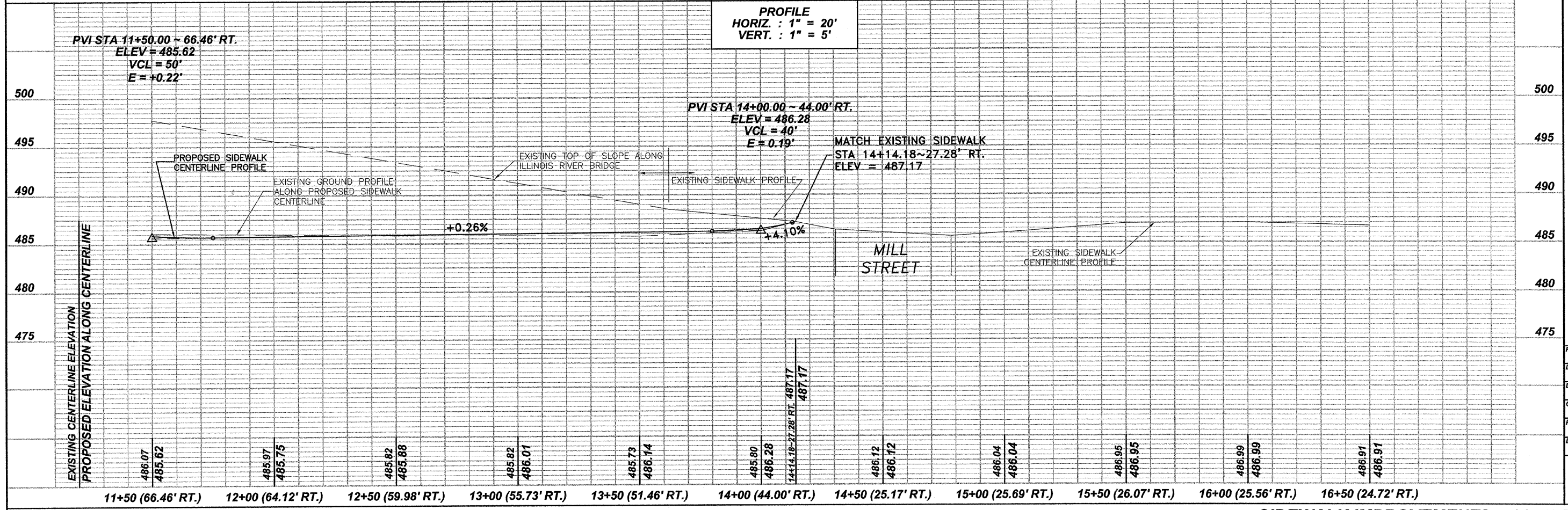


**CURVE #2 DATA**  
P.C. STA. 11+11.68~66.54' RT.  
P.T. STA. 12+12.95~63.11' RT.  
P.I. STA. 11+62.44~67.39' RT.  
D = 05°48'30"  
R = 1,000.00'  
L = 101.38'  
T = 50.73'  
L.C. = 101.33'  
CH. BRG. = N02°10'02.23"E

**CURVE #3 DATA**  
P.C. STA. 13+91.97~47.82' RT.  
P.T. STA. 14+00.67~43.27' RT.  
P.I. STA. 13+97.25~47.32' RT.  
D = 44°21'47"  
R = 13.00'  
L = 10.07'  
T = 5.30'  
L.C. = 9.82'  
CH. BRG. = N22°55'06.53"W



**SCALES**  
**PLAN**  
HORIZ. : 1" = 20'  
**PROFILE**  
HORIZ. : 1" = 20'  
VERT. : 1" = 5'



1304 GEMINI CIRCLE  
OTTAWA, IL 61350-6922  
TEL: 815-334-3923  
FAX: 815-334-3925

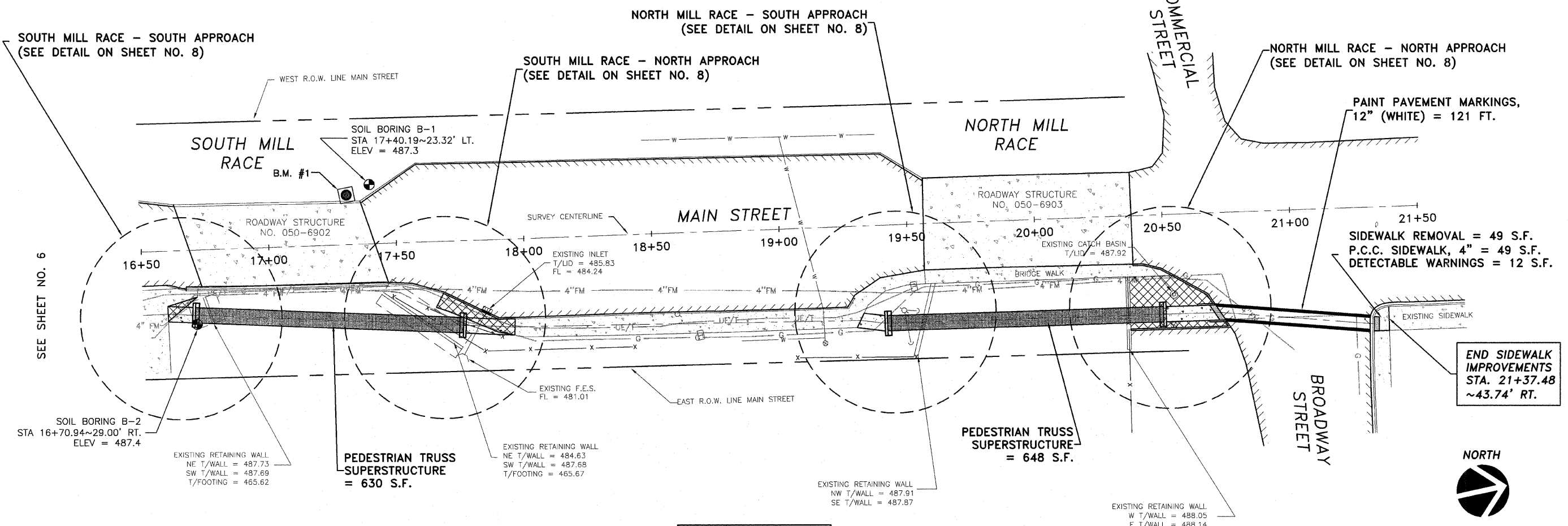
**ETSCHEID**  
**DUTTLINGER**  
**& ASSOCIATES INC.**  
Professional Engineers & Land Surveyors

PROFESSIONAL DESIGN FIRM # 184-000711
DATE PLOTTED: OCTOBER 21, 2009
DRAWN BY: R.M.S.
CHECKED BY:
PROJECT NUMBER: 2057.92
DRAWING FILE: J:\205792_BASE2.DWG
SHEET NO.

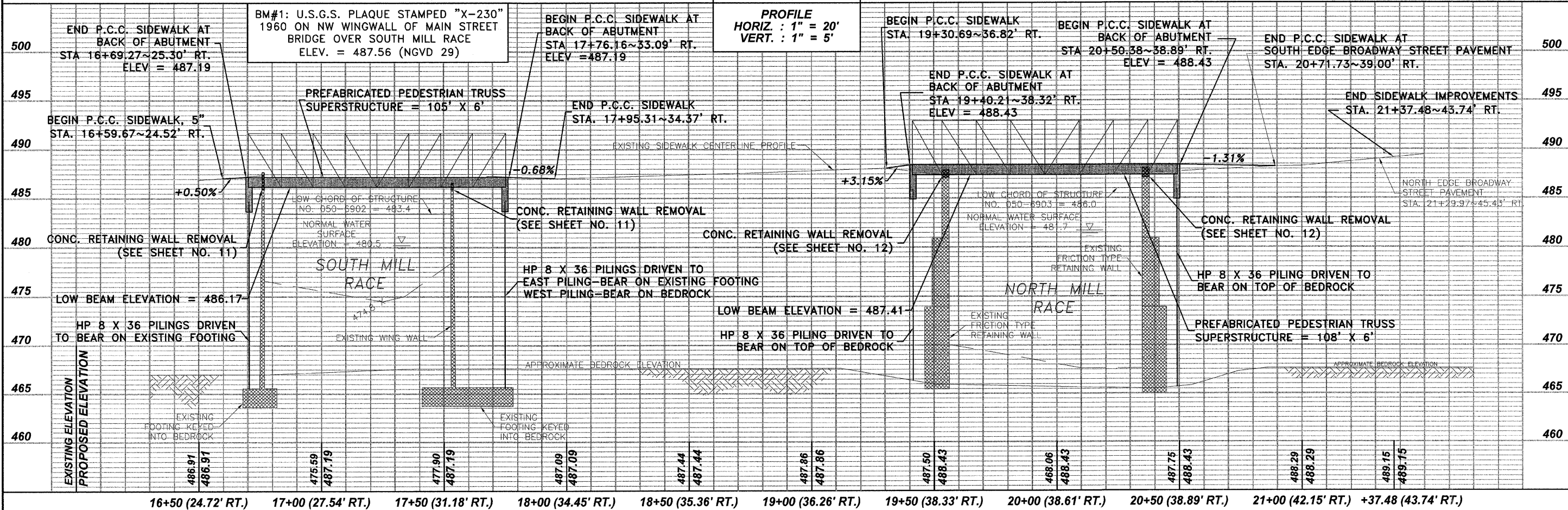


F.A.S. ROUTE NO.	SECTION	ILLINOIS PROJECT	CONTRACT NO.	COUNTY	TOTAL SHEETS	SHEET NUMBER
268	06-00173-00-SW	TE-0003(58)	87359	LASALLE	15	7

F.A.S. 268 - MAIN STREET  
 SECTION 06-00173-00-SW  
 CITY OF MARSEILLES, LASALLE COUNTY



**SCALES**  
 PLAN  
 HORIZ. : 1" = 20'  
 PROFILE  
 HORIZ. : 1" = 20'  
 VERT. : 1" = 5'



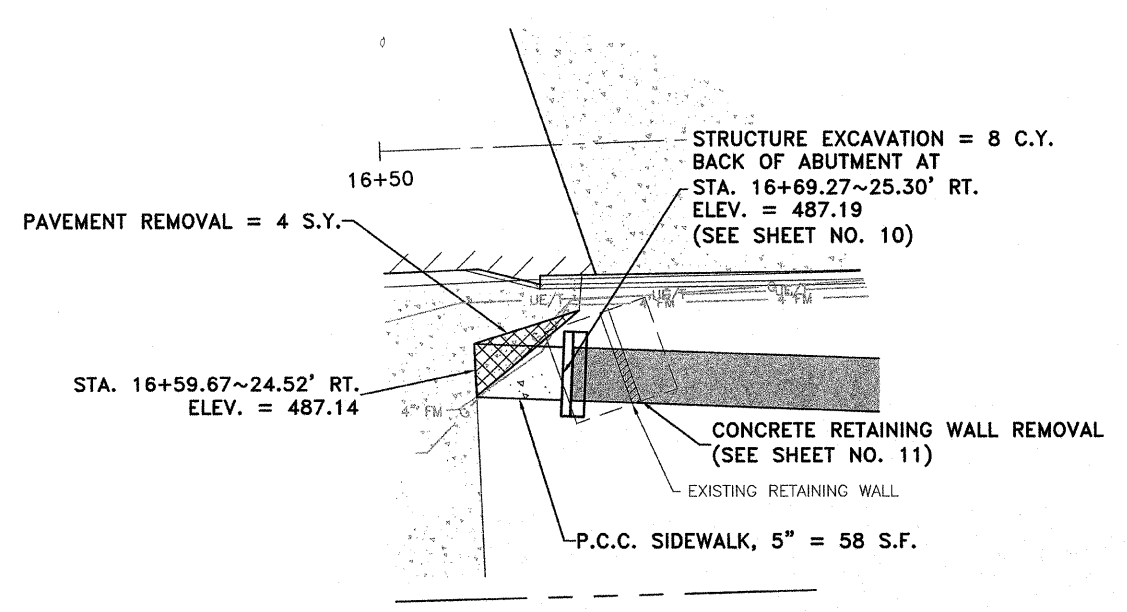
ETSCHIED  
 DUTTLINGER  
 & ASSOCIATES INC.  
 Professional Engineers & Land Surveyors

PROFESSIONAL DESIGN  
 FIRM # 184-000711  
 DATE PLOTTED:  
 OCTOBER 21, 2009  
 DRAWN BY:  
 R.M.S.  
 CHECKED BY:  
 PROJECT NUMBER:  
 2057.92  
 DRAWING FILE:  
 J:\205792\_BASE2.DWG  
**SHEET NO.**  
**7 OF 15**

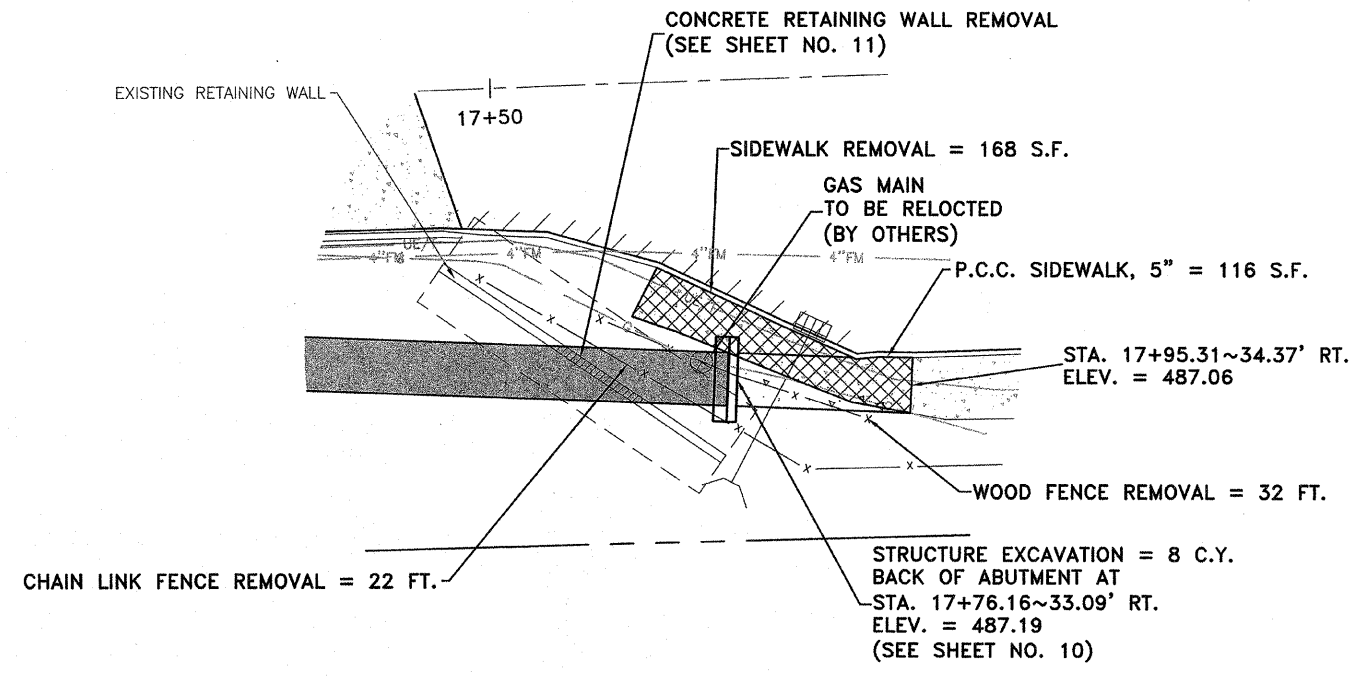
**SIDEWALK & BRIDGE IMPROVEMENTS ~ 16+50 TO 21+37.48**

F.A.S. ROUTE NO.	SECTION	ILLINOIS PROJECT	CONTRACT NO.	COUNTY	TOTAL SHEETS	SHEET NUMBER
268	06-00173-00-SW		87359	LASALLE	15	8

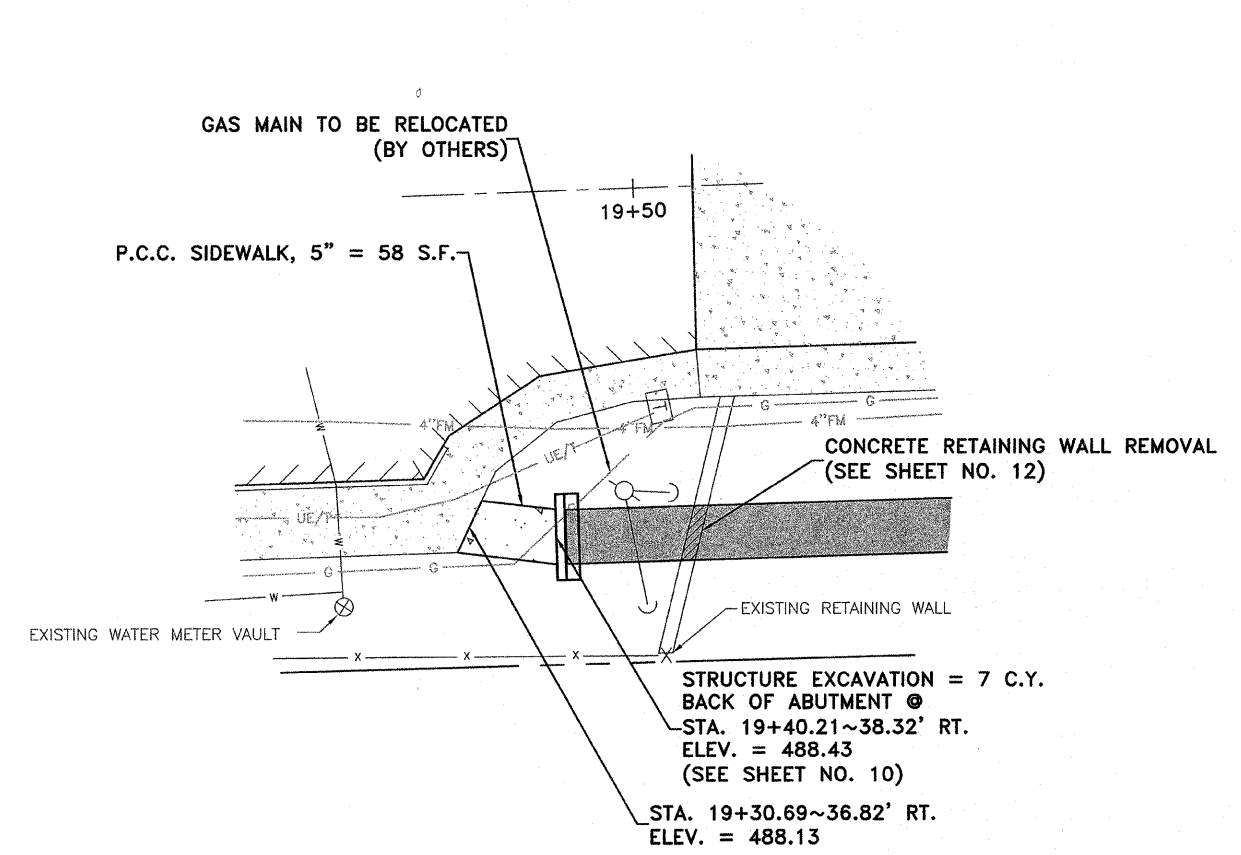
**F.A.S. 268 - MAIN STREET**  
**SECTION 06-00173-00-SW**  
**CITY OF MARSEILLES, LASALLE COUNTY**



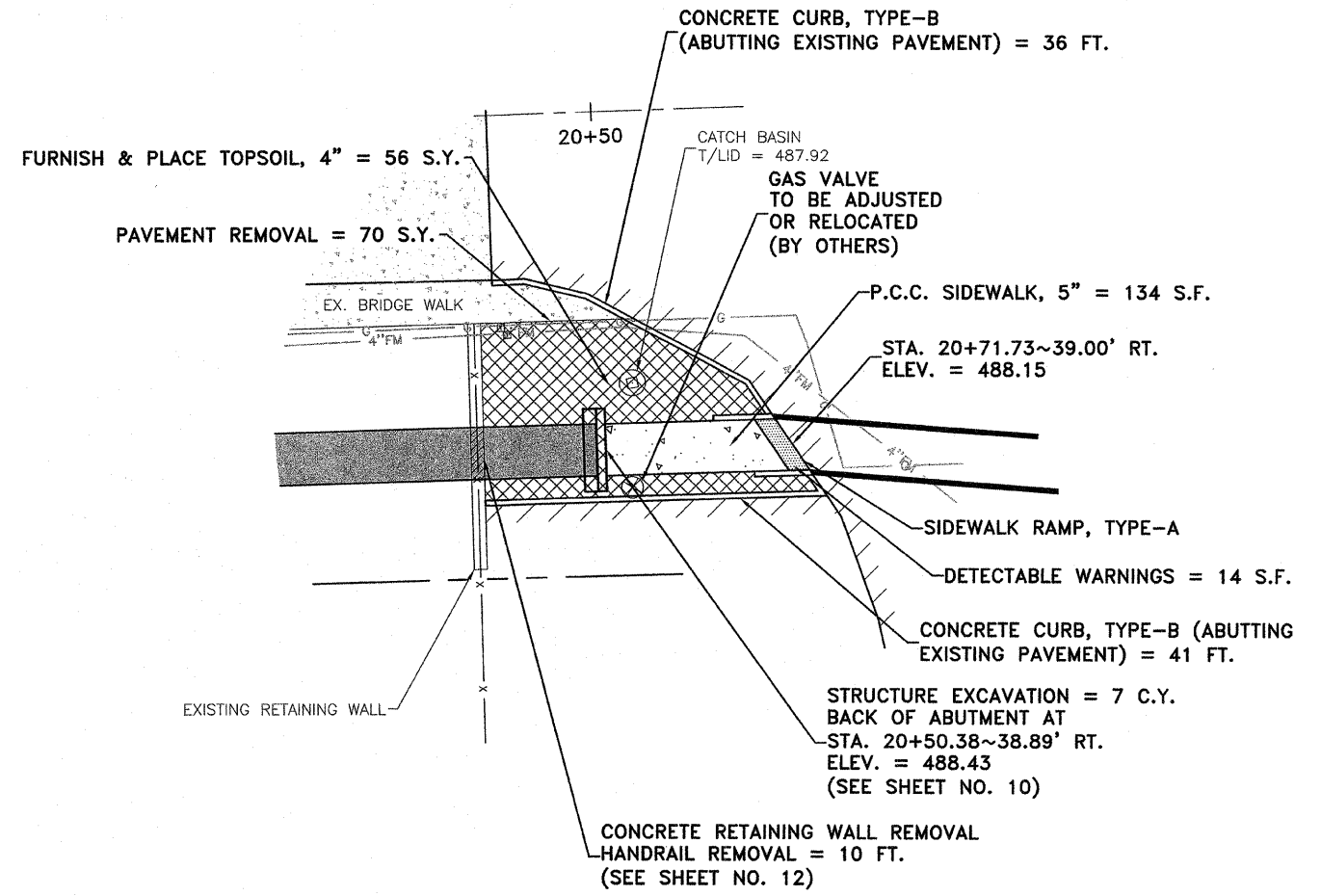
**SOUTH MILL RACE - SOUTH APPROACH**  
NOT TO SCALE



**SOUTH MILL RACE - NORTH APPROACH**  
NOT TO SCALE



**NORTH MILL RACE - SOUTH APPROACH**  
NOT TO SCALE



**NORTH MILL RACE - NORTH APPROACH**  
NOT TO SCALE

1304 GEMINI CIRCLE  
 OTTAWA, IL 62356-1092  
 TEL: 815-434-9833  
 FAX: 815-434-9833

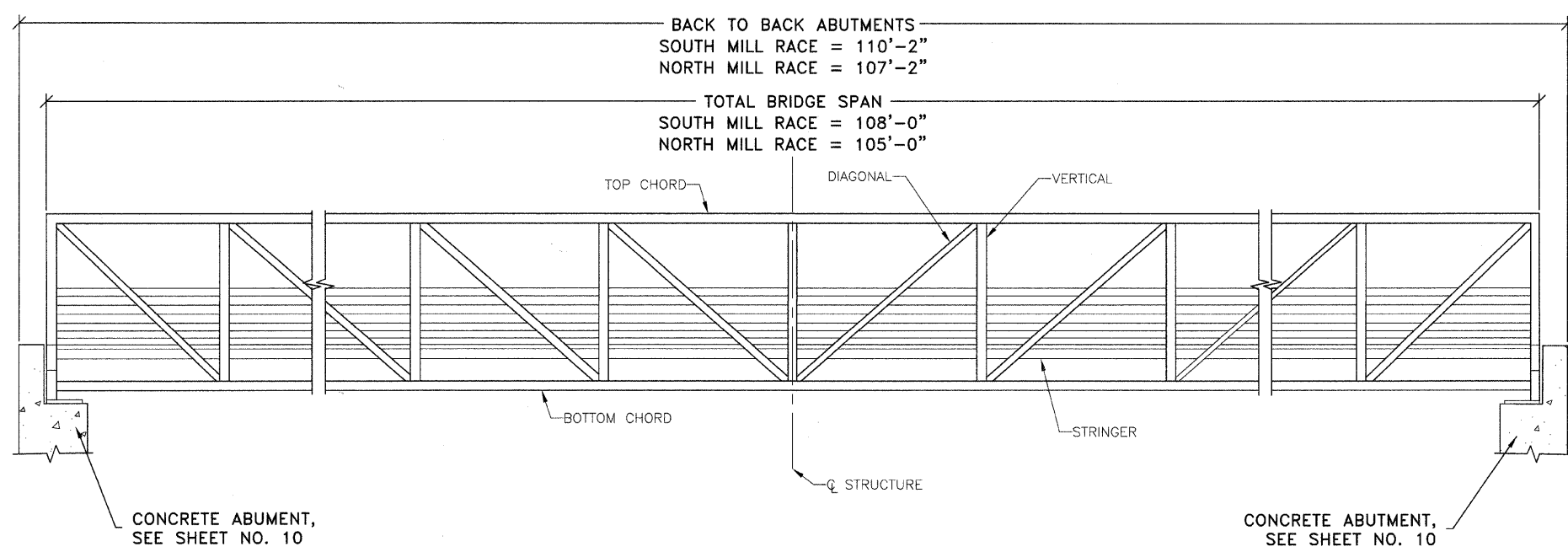
**E TSCHIED**  
**DUTTLINGER**  
**& ASSOCIATES INC.**  
 Professional Engineers & Land Surveyors

PROFESSIONAL DESIGN
FIRM # 184-000711
DATE PLOTTED:
OCTOBER 21, 2009
DRAWN BY:
R.M.S.
CHECKED BY:
PROJECT NUMBER:
2057.92
DRAWING FILE:
J:\205792_BASE2.DWG

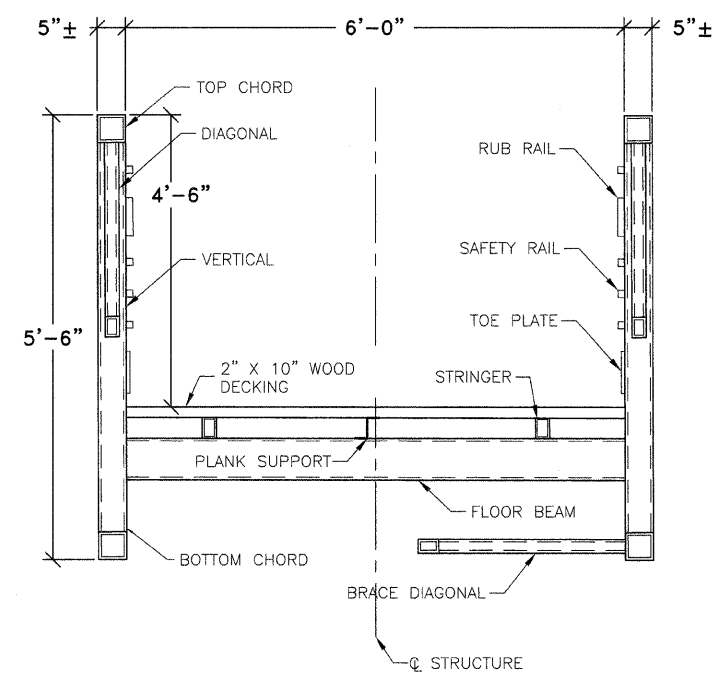
**SHEET NO.**  
**8 OF 15**

F.A.S. ROUTE NO.	SECTION	ILLINOIS PROJECT	CONTRACT NO.	COUNTY	TOTAL SHEETS	SHEET NUMBER
268	06-00173-00-SW	TE-0003(58)	87359	LASALLE	15	9

**F.A.S. 268 - MAIN STREET**  
**SECTION 06-00173-00-SW**  
**CITY OF MARSEILLES, LASALLE COUNTY**



**PEDESTRIAN TRUSS SUPERSTRUCTURE - ELEVATION**  
NOT TO SCALE



**PEDESTRIAN TRUSS SUPERSTRUCTURE - CROSS SECTION**  
NOT TO SCALE

ALL MATERIALS AND CONSTRUCTION SHALL CONFORM TO THE LATEST EDITION OF THE ILLINOIS DEPARTMENT OF TRANSPORTATION SPECIFICATIONS FOR ROAD AND BRIDGE CONSTRUCTION, JANUARY 1, 2007.

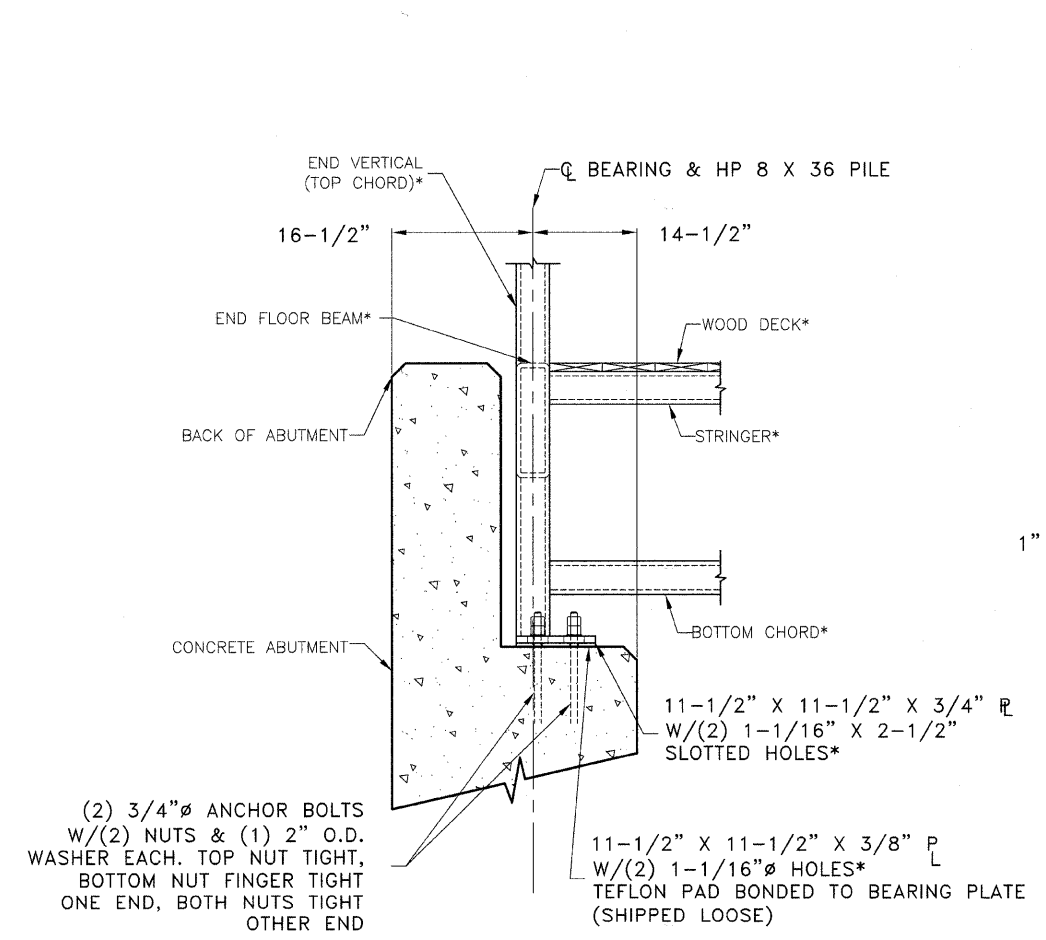
DESIGN SPECIFICATIONS:  
 1997 AASHTO GUIDE SPECIFICATIONS FOR DESIGN OF PEDESTRIAN BRIDGES  
 BRIDGE DEAD LOAD = 60 PSF  
 BRIDGE LIVE LOAD = 85 PSF  
 SEISMIC PERFORMANCE CATEGORY (SPC): A  
 BEDROCK ACCELERATION COEFFICIENT (A): 0.04  
 SITE COEFFICIENT (S): 1.0

DESIGN STRESSES:  
 STEEL:  $F_y = 50$  ksi  
 CONCRETE:  $f'_c = 4,000$  psi

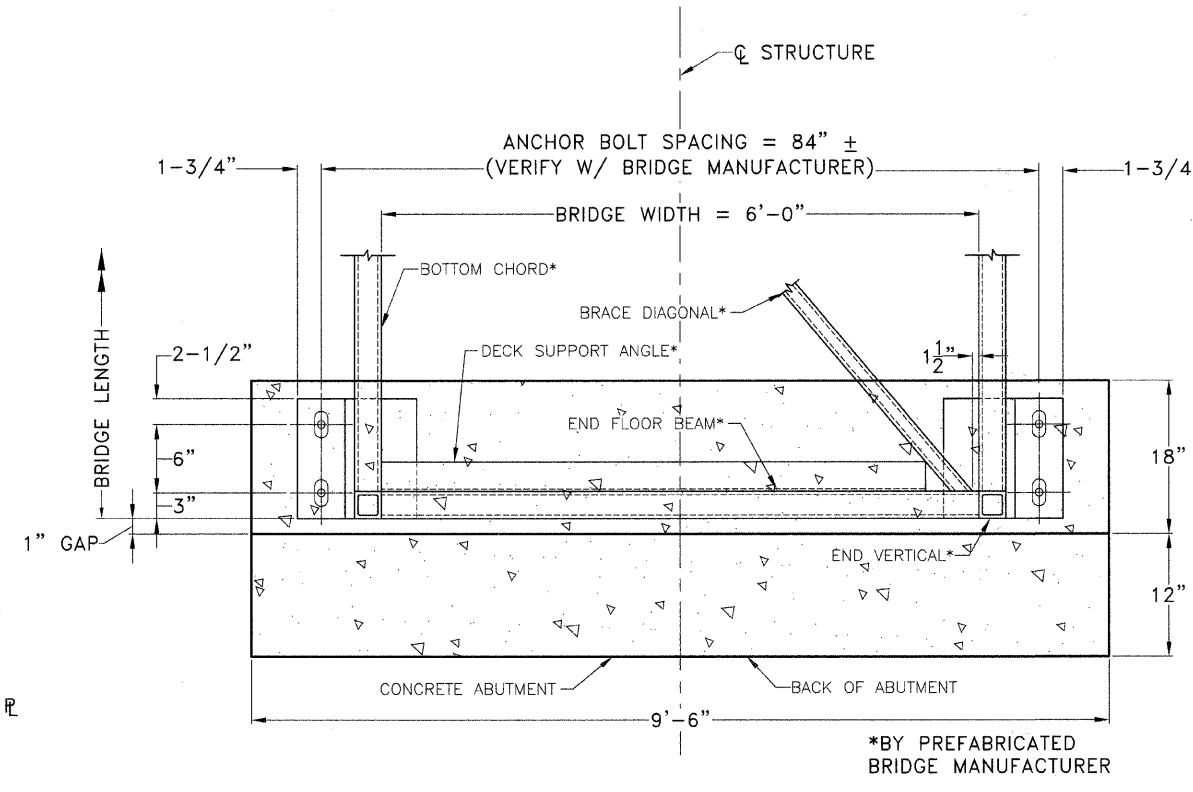
- GENERAL NOTES:
- BRIDGE INSTALLATION SHALL BE IN ACCORDANCE WITH THE BRIDGE MANUFACTURER'S SHOP DRAWINGS, INSTRUCTIONS, AND/OR RECOMMENDATIONS. THE CONTRACTOR SHALL PROVIDE ALL MATERIALS, LABOR, AND EQUIPMENT TO COMPLETELY INSTALL THE PREFABRICATED BRIDGES AND MAKE THE PROPER CONNECTIONS TO THE ABUTMENTS. THE CONTRACTOR SHALL COORDINATE ALL CONSTRUCTION, DELIVERY AND INSTALLATION OF THE BRIDGE WITH THE MANUFACTURER.
  - EACH PREFABRICATED BRIDGE INCLUDES THE FOLLOWING:
    - FINISH: ILDOT 3 COAT PAINT SYSTEM
    - DECKING MATERIAL: 2" X 10" DOUGLAS FIR
    - DESIGN STRESSES IN CONFORMANCE WITH AASHTO
    - SAFETY RAILS: HORIZONTAL SAFETY RAILS SPACED AT 4" ON CENTER
    - WOOD RUBRAIL AND TOEPLATES
    - PEDESTRIAN LIVE LOAD: 85 PSF
    - 2 SECTIONS
  - BRIDGE MANUFACTURER SHALL PROVIDE ALL SHOP AND FABRICATION DRAWINGS. FINAL DRAWINGS SHALL BE PREPARED BY AND SEALED BY AN ILLINOIS LICENSED STRUCTURAL ENGINEER.
  - EXACT DIMENSIONS OF BRIDGE COMPONENTS TO BE PROVIDED BY THE PREFABRICATED BRIDGE MANUFACTURER.
  - PILES ON EXISTING FOUNDATIONS SHALL BE DRIVEN TO TOP OF EXISTING FOOTING. LIGHTLY TAP PILE AT TOP OF FOOTING. CARE SHALL BE TAKEN NOT TO DAMAGE FOOTING. AS AN ALTERNATE, PILES MAY BE PLACED IN PRECURED HOLES TO TOP OF FOOTING.

1304 GEMINI CIRCLE  
 OTTAWA, IL 61350-1692  
 TEL: 815-434-3925  
 FAX: 815-434-3933

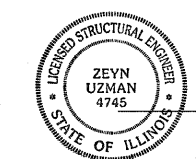
**ETSCHEID**  
**DUTTLINGER**  
**& ASSOCIATES INC.**  
 Professional Engineers & Land Surveyors



**PEDESTRIAN TRUSS SUPERSTRUCTURE BEARING ASSEMBLY - SIDE VIEW**  
NOT TO SCALE



**PEDESTRIAN TRUSS SUPERSTRUCTURE BEARING ASSEMBLY - PLAN VIEW**  
NOT TO SCALE



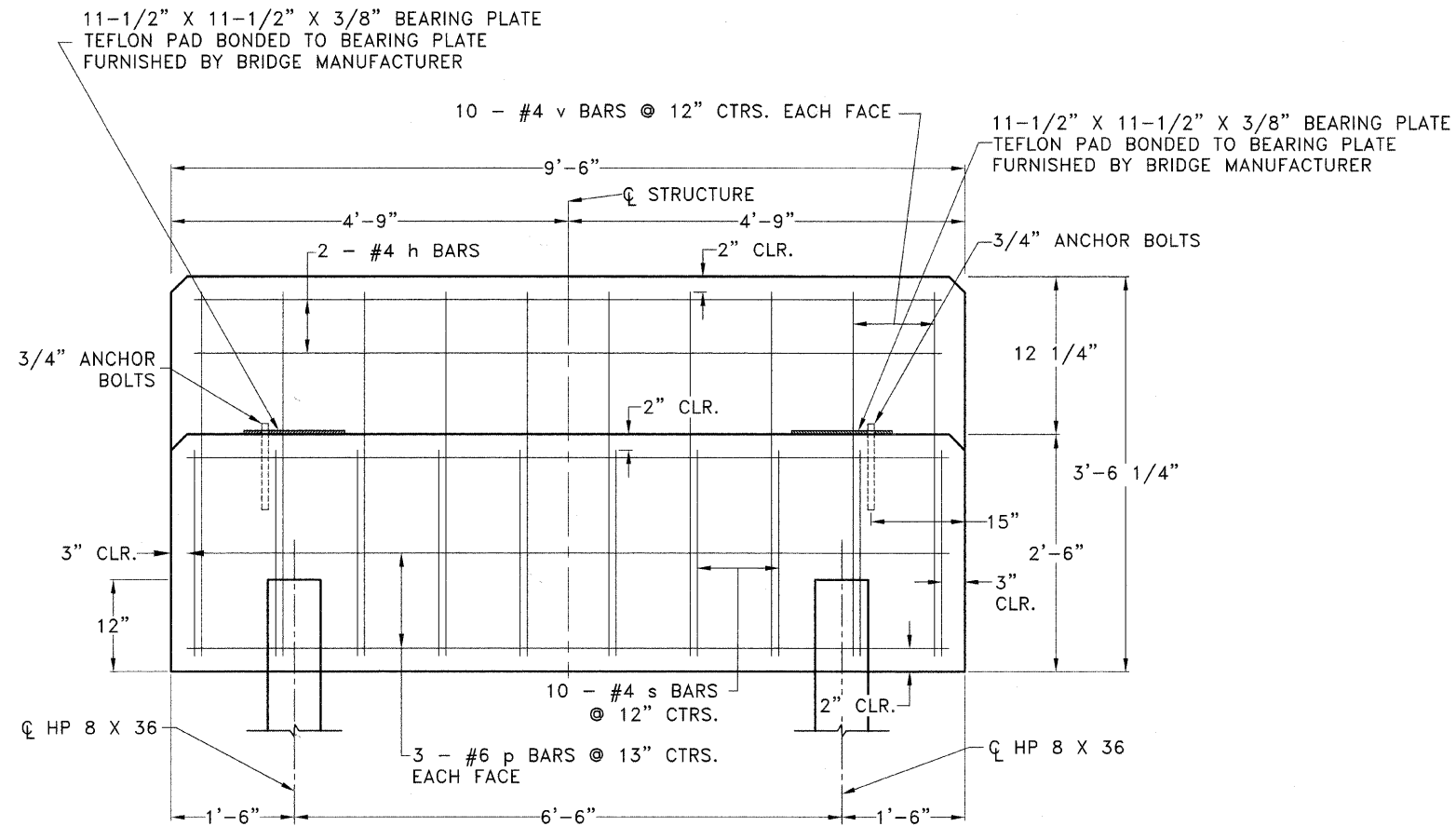
ZEYN B. UZMAN  
 S.E. NO. 081-004745  
 EXPIRES NOVEMBER 30, 2010

DATE: 10/21/09

PROFESSIONAL DESIGN FIRM # 184-000711
DATE PLOTTED: OCTOBER 21, 2009
DRAWN BY: R.M.S.
CHECKED BY:
PROJECT NUMBER: 2057.92
DRAWING FILE: J:\205792_BRIDGE.DWG
SHEET NO. 9 OF 15

F.A.S. ROUTE NO.	SECTION	ILLINOIS PROJECT	CONTRACT NO.	COUNTY	TOTAL SHEETS	SHEET NUMBER
268	06-00173-00-SW	TE-0003(58)	87359	LASALLE	15	10

**F.A.S. 268 - MAIN STREET**  
**SECTION 06-00173-00-SW**  
**CITY OF MARSEILLES, LASALLE COUNTY**



**ABUTMENT - FRONT ELEVATION DETAIL**  
NOT TO SCALE

**DESIGN STRESSES**  
 $f'_c = 50$  KSI (CONCRETE)  
 $F_y = 60,000$  PSI (REINFORCEMENT)

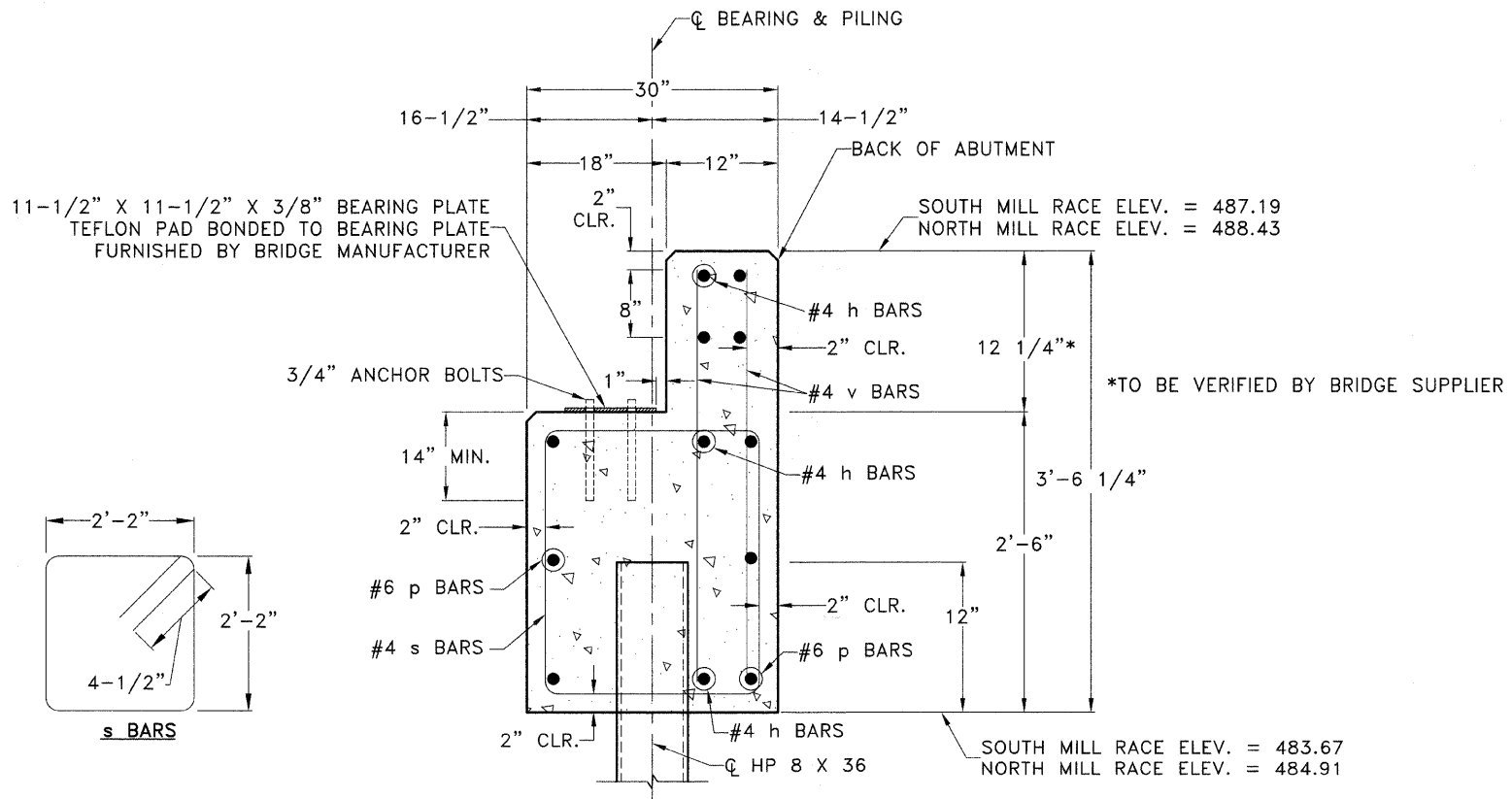
**SOUTH MILL RACE PILE DATA**

**NORTH ABUTMENT**  
 TYPE: HP 8X36  
 CAPACITY: EAST PILING DRIVEN TO TOP OF EX. WING WALL FOOTING  
 WEST PILING DRIVEN TO TOP OF BEDROCK  
 ESTIMATED LENGTH: EAST=21' WEST=19'  
 NUMBER REQUIRED: 2

**SOUTH ABUTMENT**  
 TYPE: HP 8X36  
 CAPACITY: PILINGS DRIVEN TO TOP OF EX. WINGWALL FOOTING  
 ESTIMATED LENGTH: 19'  
 NUMBER REQUIRED: 2

**NORTH MILL RACE PILE DATA**

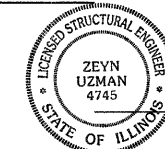
**EACH ABUTMENT**  
 TYPE: HP 8X36  
 CAPACITY: PILINGS DRIVEN TO TOP OF BEDROCK  
 ESTIMATED LENGTH: 20'  
 TOTAL NUMBER REQUIRED: 2



**ABUTMENT - CROSS SECTION**  
NOT TO SCALE

<b>BILL OF MATERIAL</b>				
EACH ABUTMENT - 4 REQUIRED				
BAR	NO.	SIZE	LENGTH	SHAPE
h	6	#4	9'-2"	—
p	6	#6	9'-0"	—
s	10	#4	9'-5"	□
v	20	#4	3'-4"	—
<b>CONCRETE STRUCTURES</b>			C.Y.	2.6
<b>REINFORCEMENT BARS</b>			POUND	230
<b>FURNISHING HP 8X36 PILES</b>			FOOT	*
<b>DRIVING PILES</b>			FOOT	*

\*SEE PILE DATA TABLES FOR LENGTHS



DATE: 12/5/09  
 ZEYN B. UZMAN  
 S.E. NO. 081-004745  
 EXPIRES NOVEMBER 30, 2010

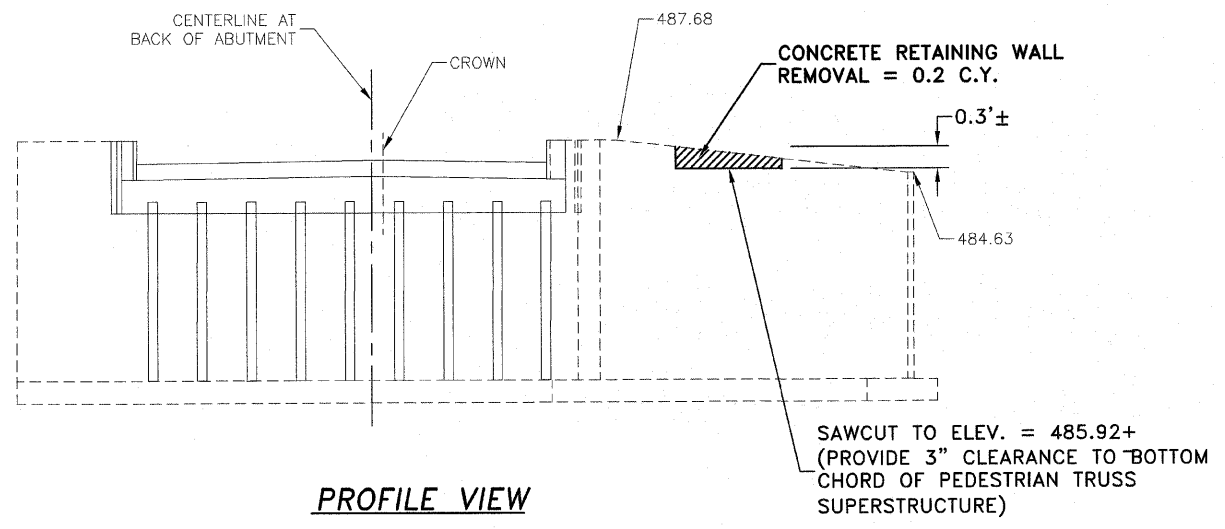
1304 GEMINI CIRCLE  
 OTTAWA, IL 61350-1692  
 TEL: 815-434-3925  
 FAX: 815-434-3953

**ETSCHEID**  
**DUTTLINGER**  
**& ASSOCIATES INC.**  
 Professional Engineers & Land Surveyors

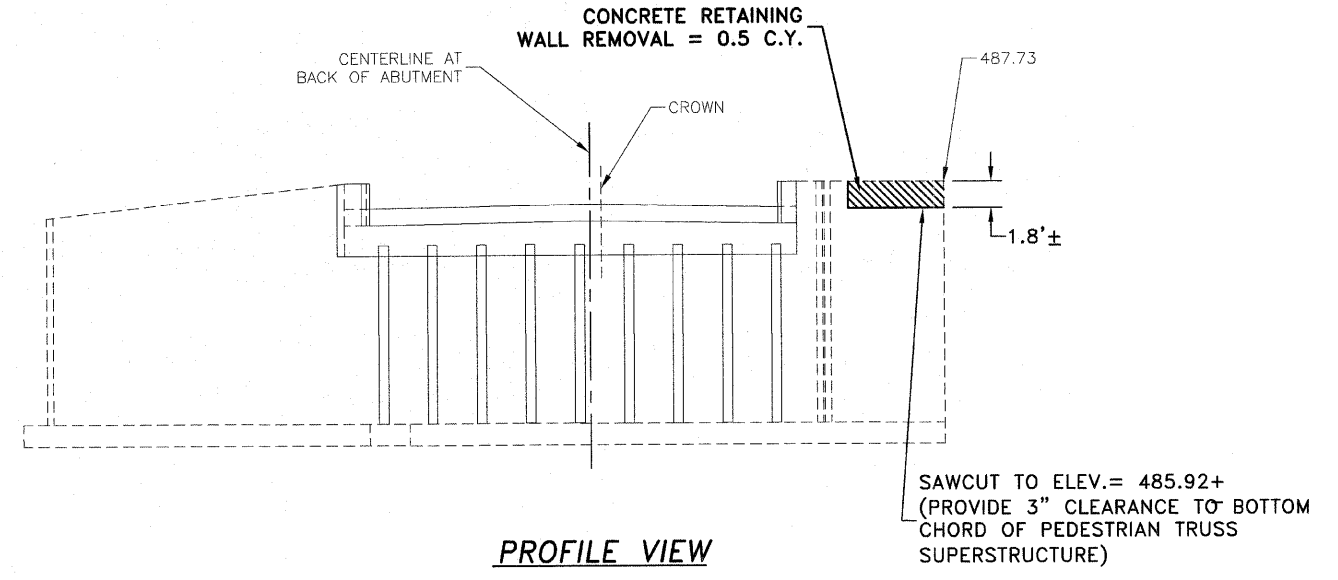
PROFESSIONAL DESIGN  
 FIRM # 184-000711  
 DATE PLOTTED:  
 OCTOBER 21, 2009  
 DRAWN BY:  
 R.M.S.  
 CHECKED BY:  
 PROJECT NUMBER:  
 2057.92  
 DRAWING FILE:  
 J:\205792\_ABUT.DWG  
**SHEET NO.**

F.A.S. ROUTE NO.	SECTION	ILLINOIS PROJECT	CONTRACT NO.	COUNTY	TOTAL SHEETS	SHEET NUMBER
268	06-00173-00-SW	TE-00D3(58)	87359	LASALLE	15	11

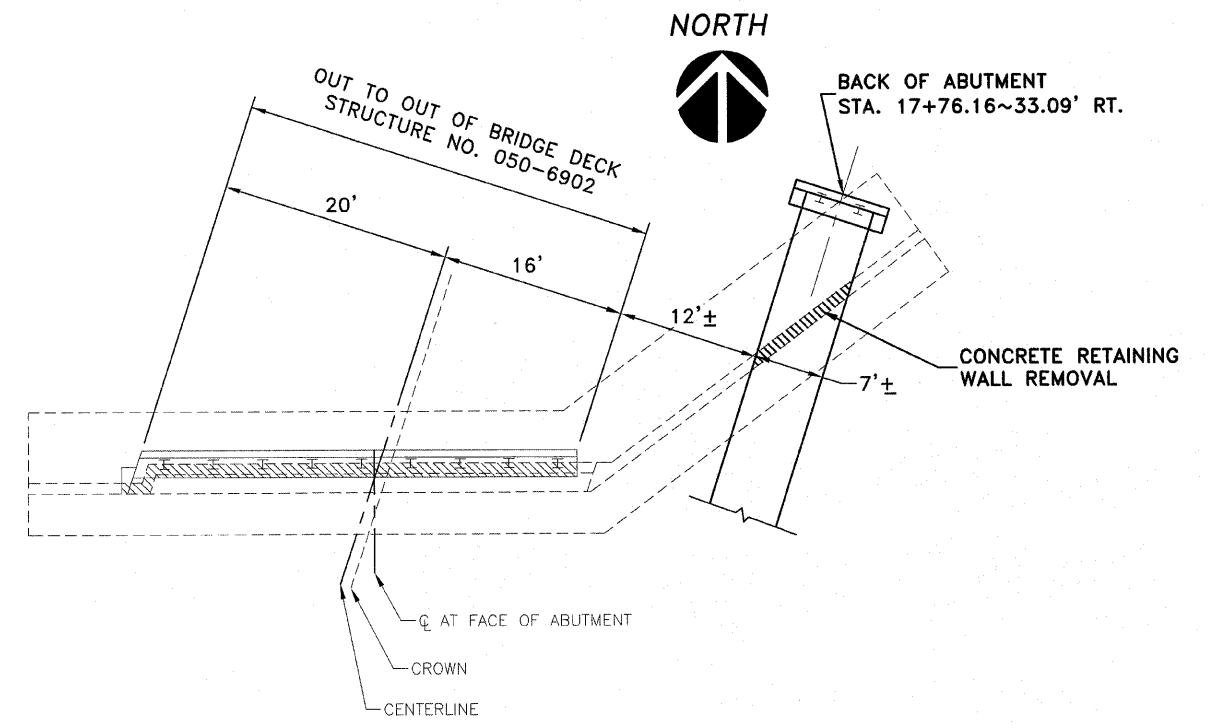
**F.A.S. 268 - MAIN STREET**  
**SECTION 06-00173-00-SW**  
**CITY OF MARSEILLES, LASALLE COUNTY**



**PROFILE VIEW**

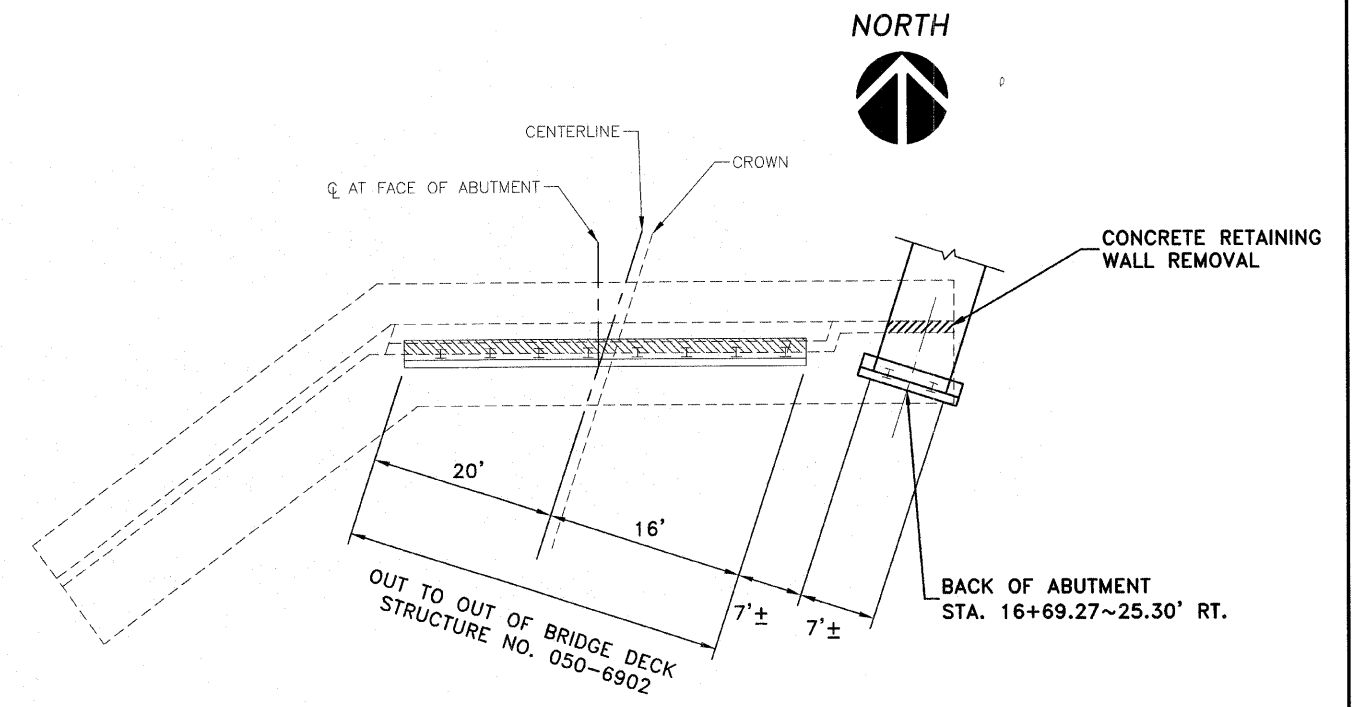


**PROFILE VIEW**



**PLAN VIEW**

**NORTH ABUTMENT - SOUTH MILL RACE**  
NOT TO SCALE



**PLAN VIEW**

**SOUTH ABUTMENT - SOUTH MILL RACE**  
NOT TO SCALE

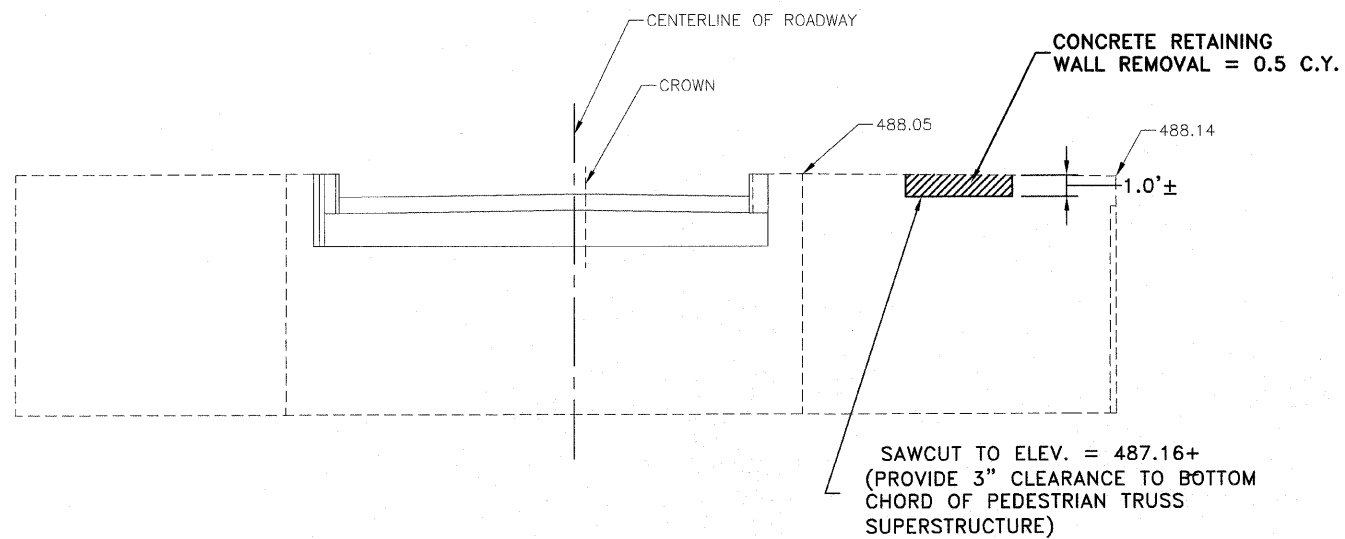
1304 GEMINI CIRCLE  
 OTTAWA, IL 61350-1692  
 TEL: 815-484-8925  
 FAX: 815-484-8953

**ETSCHIED**  
**DUTTLINGER & ASSOCIATES INC.**  
 Professional Engineers & Land Surveyors

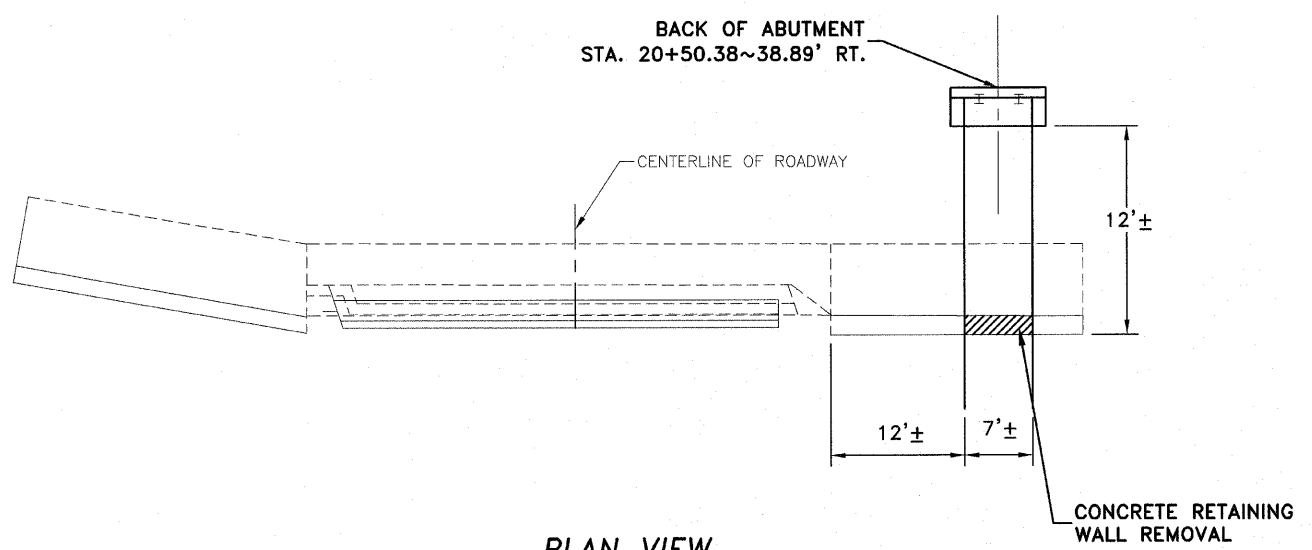
PROFESSIONAL DESIGN FIRM # 184-000711
DATE PLOTTED: OCTOBER 21, 2009
DRAWN BY: R.M.S.
CHECKED BY:
PROJECT NUMBER: 2057.92
DRAWING FILE: 205792_EXIST_WALL
<b>SHEET NO.</b>

F.A.S. ROUTE NO.	SECTION	ILLINOIS PROJECT	CONTRACT NO.	COUNTY	TOTAL SHEETS	SHEET NUMBER
268	06-00173-00-SW	TE-0003(58)	87359	LASALLE	15	12

**F.A.S. 268 - MAIN STREET**  
**SECTION 06-00173-00-SW**  
**CITY OF MARSEILLES, LASALLE COUNTY**

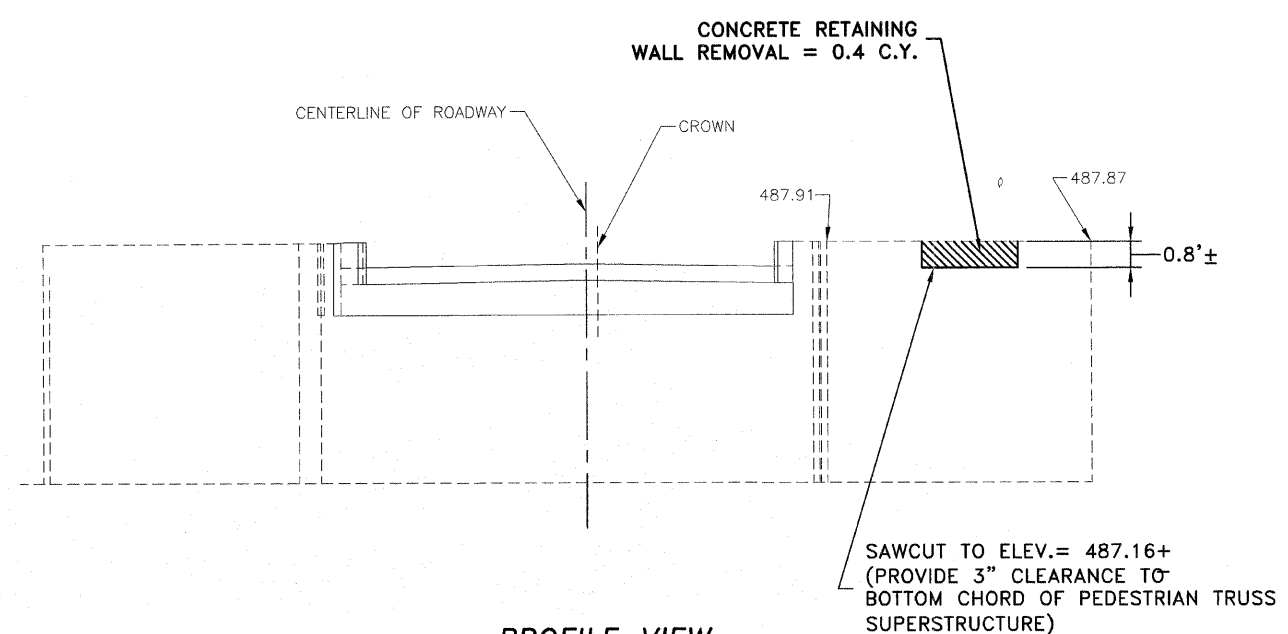


**PROFILE VIEW**

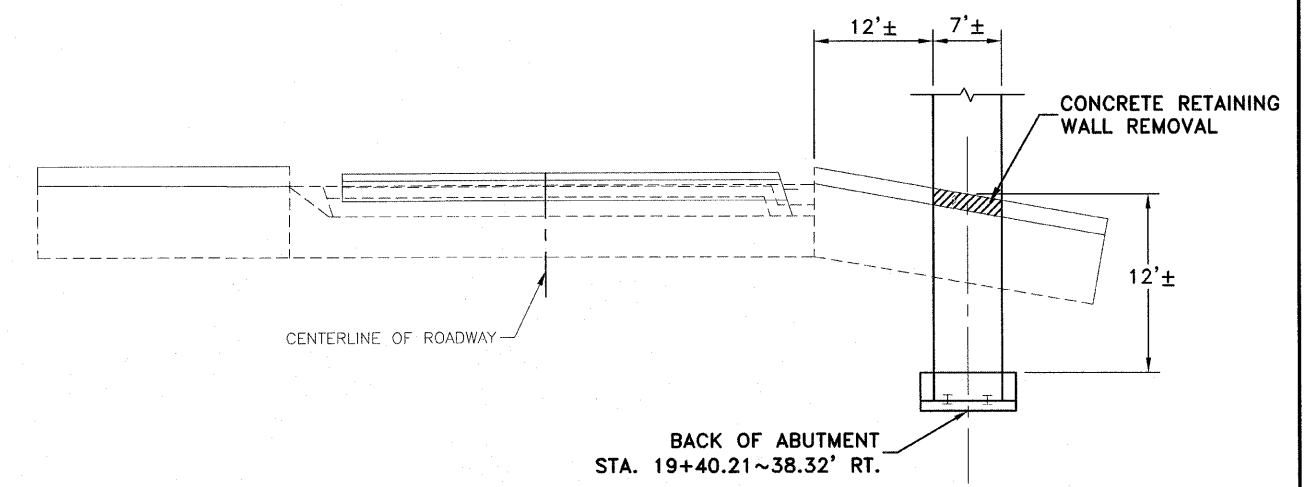


**PLAN VIEW**

**NORTH ABUTMENT - NORTH MILL RACE**  
 NOT TO SCALE



**PROFILE VIEW**



**PLAN VIEW**

**SOUTH ABUTMENT - NORTH MILL RACE**  
 NOT TO SCALE

1304 GEMINI CIRCLE  
 OTTAWA, IL 61350-1602  
 TEL: 315-434-3923  
 FAX: 315-434-3933

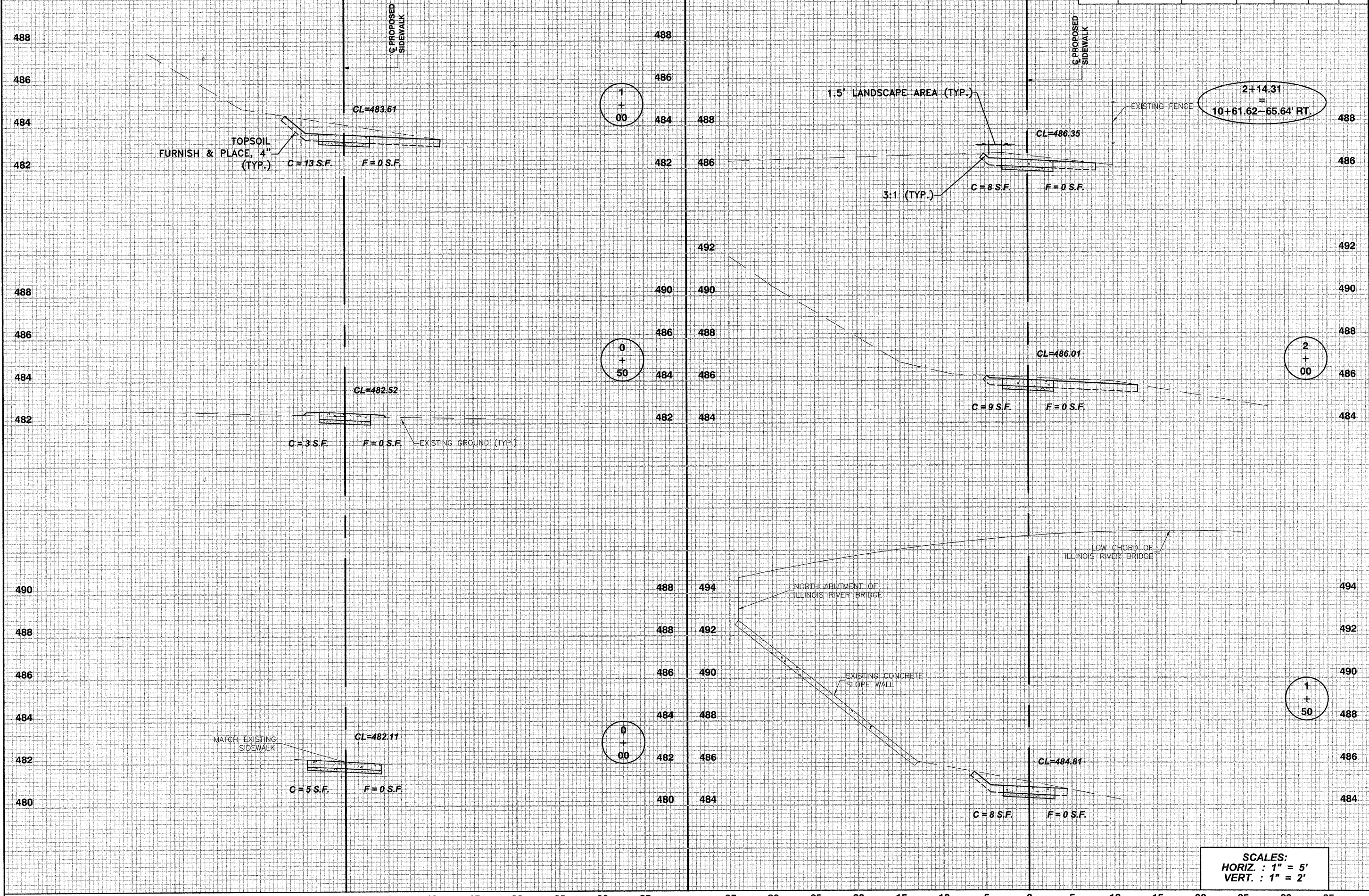
**ETSCHIED**  
**DUTTLINGER**  
**& ASSOCIATES, INC.**  
 Professional Engineers & Land Surveyors

PROFESSIONAL DESIGN  
 FIRM # 184-000711  
 DATE PLOTTED:  
 OCTOBER 21, 2009  
 DRAWN BY:  
 R.M.S.  
 CHECKED BY:  
 PROJECT NUMBER:  
 2057.92  
 DRAWING FILE:  
 205792\_EXIST\_WALL

**SHEET NO.**  
**12 OF 15**



F.A.S. ROUTE NO.	SECTION	ILLINOIS PROJECT	CONTRACT NO.	COUNTY	TOTAL SHEETS	SHEET NUMBER
268	06-00173-00-SW		87359	LASALLE	15	13



**F.A.S. 268 - MAIN STREET**  
**SECTION 06-00173-00-SW**  
**CITY OF MARSEILLES, LASALLE COUNTY**

ETSCHIED  
 DUTTLINGER  
 & ASSOCIATES INC.  
 Professional Engineers & Land Surveyors

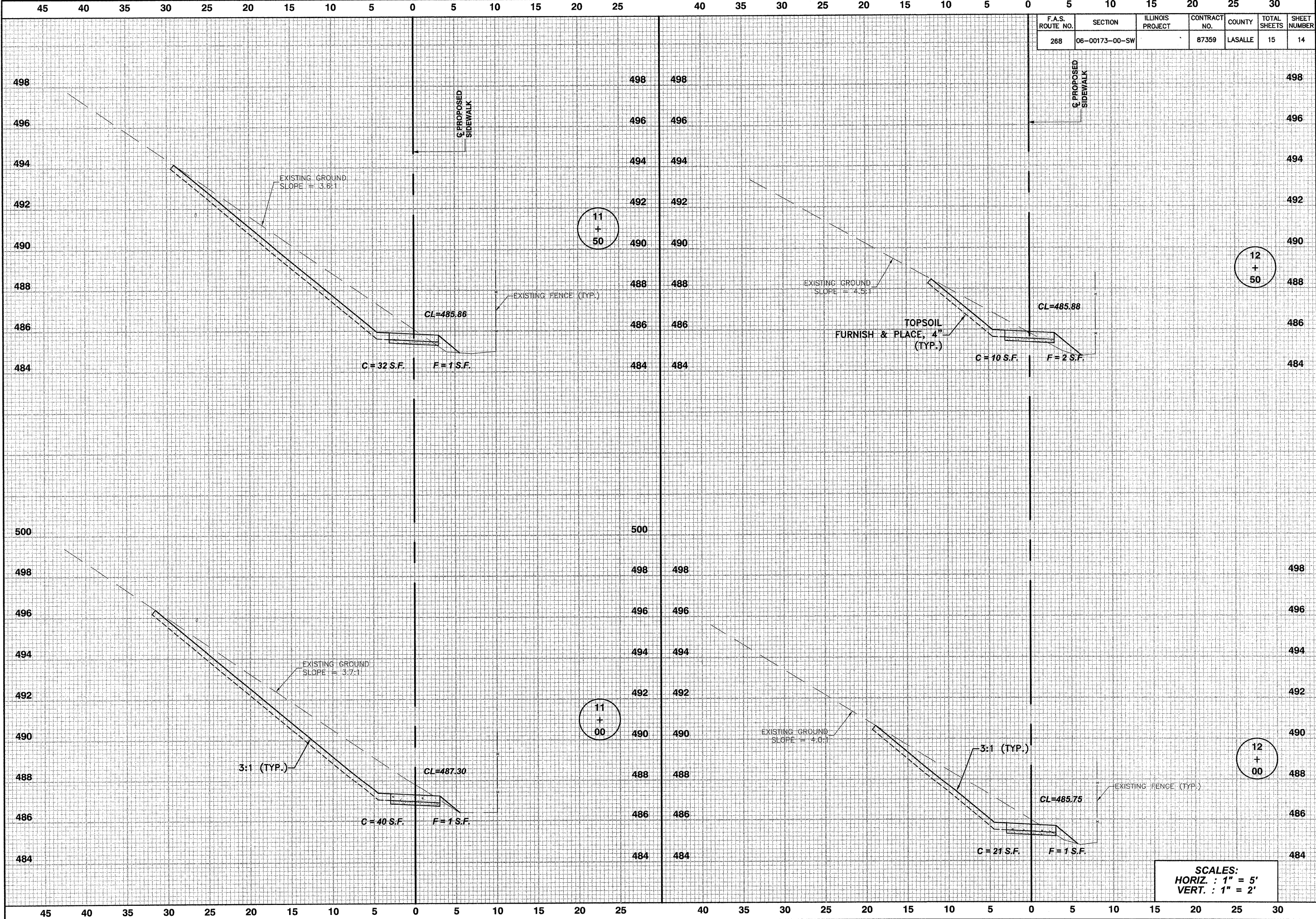


PROFESSIONAL DESIGN  
 FIRM # 184-000711  
 DATE PLOTTED:  
 OCTOBER 21, 2009  
 DRAWN BY:  
 R.M.S.  
 CHECKED BY:  
 PROJECT NUMBER:  
 2057.92  
 DRAWING FILE:  
 J:\205792\_XSEC.DWG

**SCALES:**  
 HORIZ. : 1" = 5'  
 VERT. : 1" = 2'

**SIDEWALK CROSS SECTIONS ~ 0+00 (SW) TO 2+14 = 10+61**





F.A.S. ROUTE NO.	SECTION	ILLINOIS PROJECT	CONTRACT NO.	COUNTY	TOTAL SHEETS	SHEET NUMBER
268	06-00173-00-SW		87359	LASALLE	15	14

F.A.S. 268 - MAIN STREET  
 SECTION 06-00173-00-SW  
 CITY OF MARSEILLES, LASALLE COUNTY

1204 GEMINI CIRCLE  
 OTTAWA, IL 61350-0692  
 TEL: 815-634-3953  
 FAX: 815-634-3953

**E TSCHIED**  
**DUTTLINGER**  
**& ASSOCIATES INC.**  
 Professional Engineers & Land Surveyors

PROFESSIONAL DESIGN FIRM # 184-00711
DATE PLOTTED: OCTOBER 21, 2009
DRAWN BY: R.M.S.
CHECKED BY:
PROJECT NUMBER: 2057.92
DRAWING FILE: J:\205792_XSEC.DWG
SHEET NO.

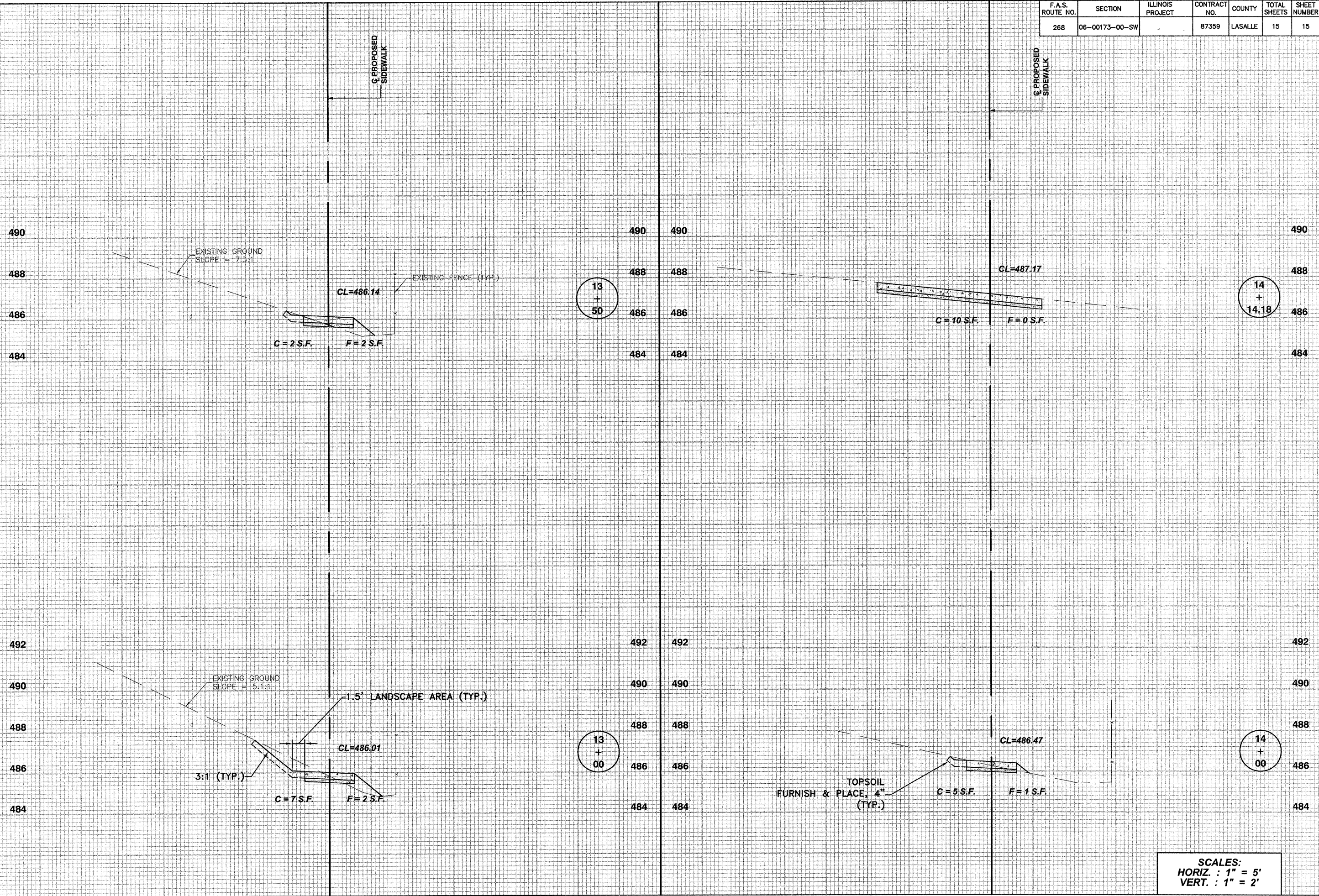
**SCALES:**  
 HORIZ. : 1" = 5'  
 VERT. : 1" = 2'



35 30 25 20 15 10 5 0 5 10 15 20 25 30 35

F.A.S. ROUTE NO.	SECTION	ILLINOIS PROJECT	CONTRACT NO.	COUNTY	TOTAL SHEETS	SHEET NUMBER
268	06-00173-00-SW		87359	LASALLE	15	15

F.A.S. 268 - MAIN STREET  
SECTION 06-00173-00-SW  
CITY OF MARSEILLES, LASALLE COUNTY



1304 GEMINI CIRCLE  
OTTAWA, IL 61350-1692  
TEL: 815-64-3925  
FAX: 815-64-3953

**E TSCHIED**  
**DUTTlinger**  
**& ASSOCIATES INC.**  
Professional Engineers & Land Surveyors

PROFESSIONAL DESIGN  
FIRM # 184-000711  
DATE PLOTTED:  
OCTOBER 21, 2009  
DRAWN BY:  
R.M.S.  
CHECKED BY:  
PROJECT NUMBER:  
2057.92  
DRAWING FILE:  
J:\205792\_XSEC.DWG

SCALES:  
HORIZ. : 1" = 5'  
VERT. : 1" = 2'

SHEET NO.

15 OF 15

SIDEWALK CROSS SECTIONS ~ 13+00 TO 14+14.18