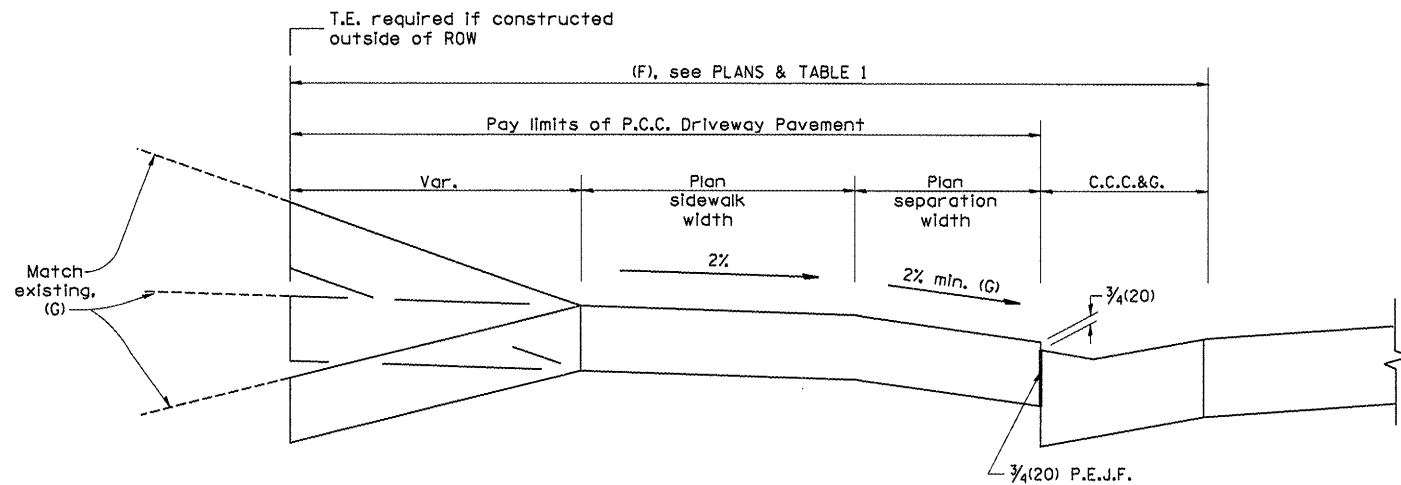
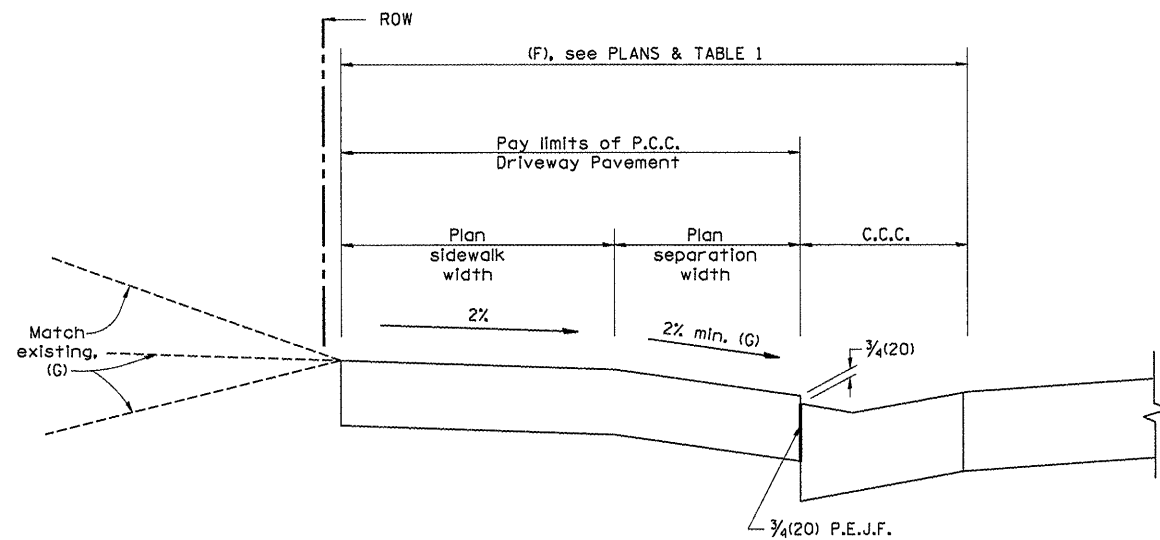


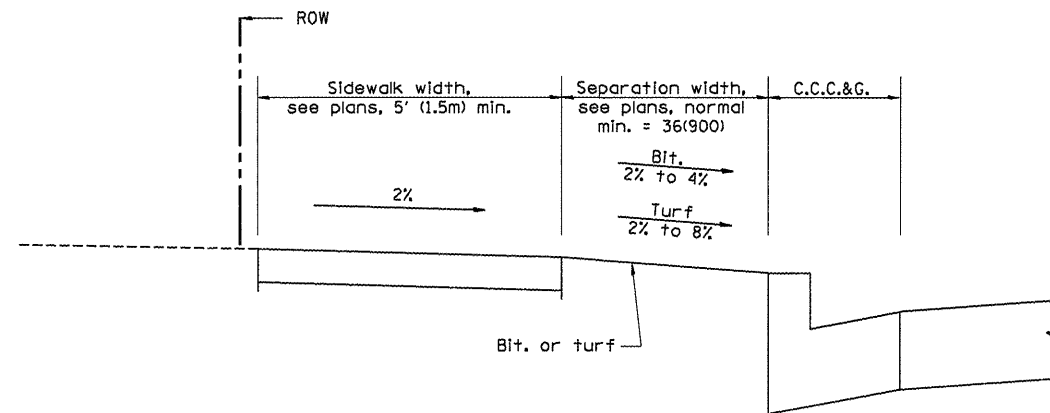
SECTION A-A



SECTION B-B



SECTION C-C



SECTION D-D

All dimensions are in inches (millimeters) unless otherwise noted. 89505

--	--	--	--	--	--	--	--	--	--

STATE OF ILLINOIS
DEPARTMENT OF TRANSPORTATION

URBAN ENTRANCES, ACCESSIBLE TO THE DISABLED,
FOR SEPARATED SIDEWALKS
SHT. 2 OF 2
CADD STD. 423106-D4

F.A. RTE.	SECTION	COUNTY	TOTAL SHEETS	SHEET NO.
			83	83
CONTRACT NO.				
FED. ROAD DIST. NO.		ILLINOIS FED. AID PROJECT		