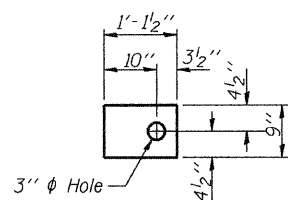


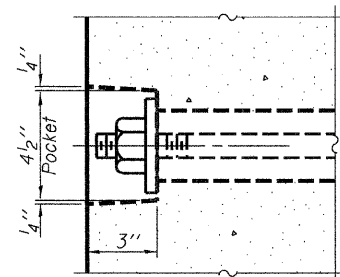
FABRIC BEARING PAD
(Interior)



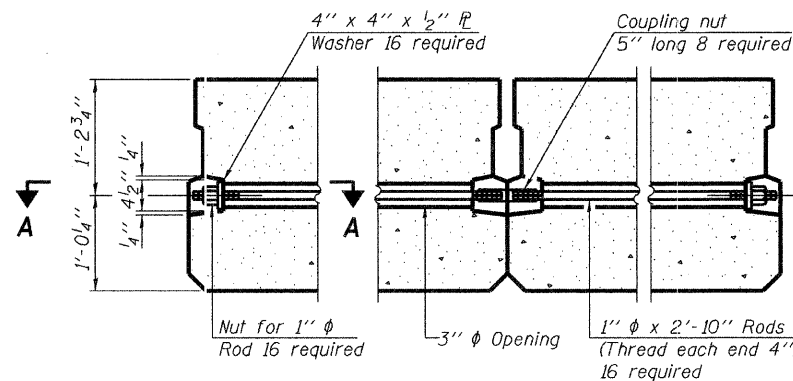
FABRIC BEARING PAD
(Exterior)

FIXED

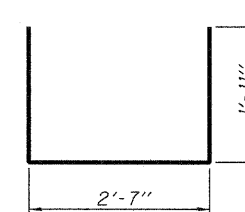
Note: Omit holes when using expansion bearings.



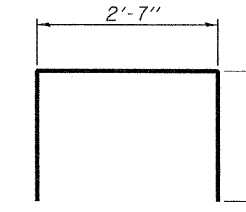
SECTION A-A



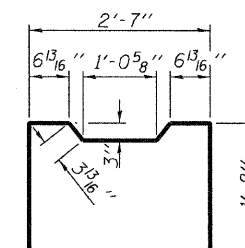
TYPICAL TRANSVERSE TIE ASSEMBLY



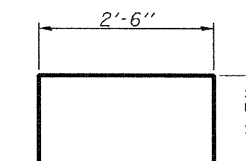
BAR S1(E)



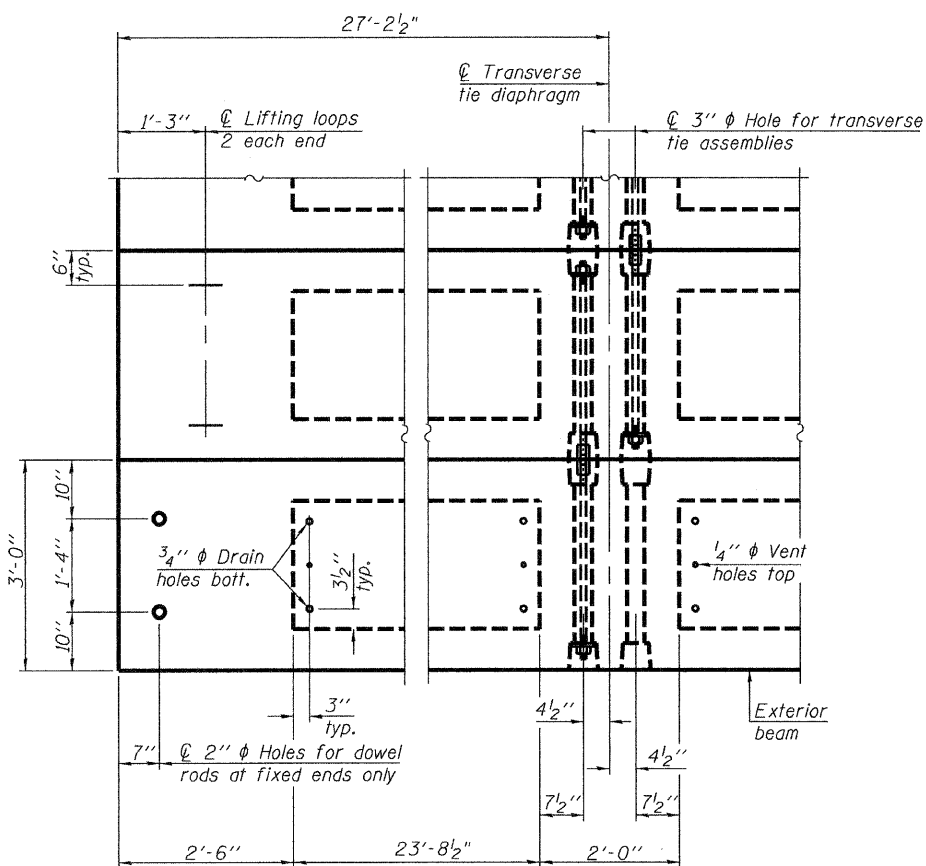
BAR S2(E)



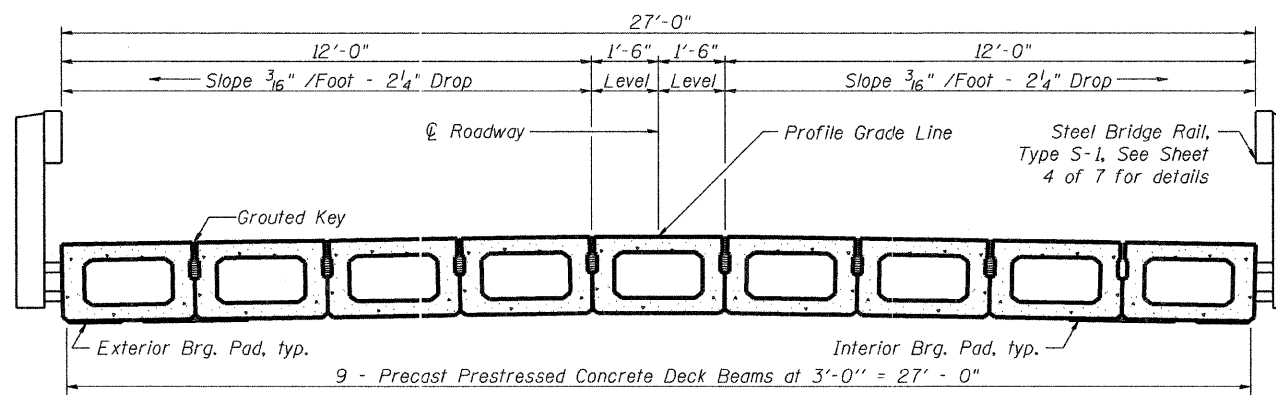
BAR U1(E)



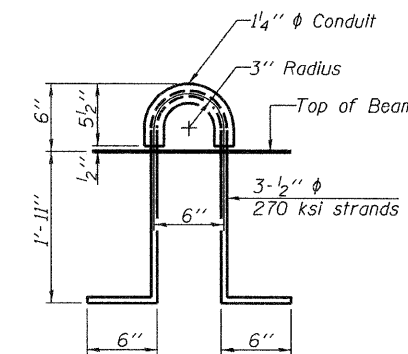
BAR U2(E)



PLAN VIEW



CROSS SECTION



LIFTING LOOP DETAIL

BILL OF MATERIAL

Precast Prestressed Conc. Deck Bms. (27" depth)	Sq. Ft.	1470
---	---------	------

27" X 36" PPC DECK BEAM DETAILS

SUPERSTRUCTURE DETAILS
TR 427 OVER FAYETTE CREEK
DATE: 11-03-09 DRAWN BY: JEH CHECKED BY: DF

SHEET NO. 3 OF 7 SHEETS	F.A. RTE.	SECTION	COUNTY	TOTAL SHEETS	SHEET NO.
	-	01-03130-00-BR	VERMILION	17	I
		SN 092-3493	CONTRACT NO. 91366		
		FED. ROAD DIST. NO. -	ILLINOIS FED. AID PROJECT		

NOTES

- Prestressing steel shall be uncoated high strength, low relaxation 7-wire strand, Grade 270. The nominal diameter shall be 1/2" and the nominal cross-sectional area shall be 0.153 sq. in.
- The 1" diameter rods in the transverse tie assembly shall be tightened to a snug fit and the threads set. Pockets on exterior faces of bridge shall be filled with grout after transverse tie assembly is in place.
- Reinforcement bars shall conform to ASTM A 706, Grade 60. (See Special Provisions).
- Two 1/8" fabric adjusting shims of the dimensions of the exterior bearing pad shall be provided for each bearing pad location.
- A minimum 2 1/2" diameter lifting pin shall be used to engage the lifting loops during handling.
- Corrosion Inhibitor, per Article 1020.05(b)(12) and 1021.06 of the Standard Specifications, shall be used in the concrete for precast prestressed concrete deck beams.
- Compressive strength of prestressed concrete, f'c, shall be 6000 psi.
- Compressive strength of prestressed concrete at release, f'ci, shall be 5000 psi.



PD-2736-OD 5-16-08

PRINTED DATE: 11/19/2009 FILE NAME: W:\PROJECTS\VERMILION\County of VYR 427 over Fayette Creek\GADD\Drawings\Sheets\07_SUPER DET_VermCo_TR427.dgn