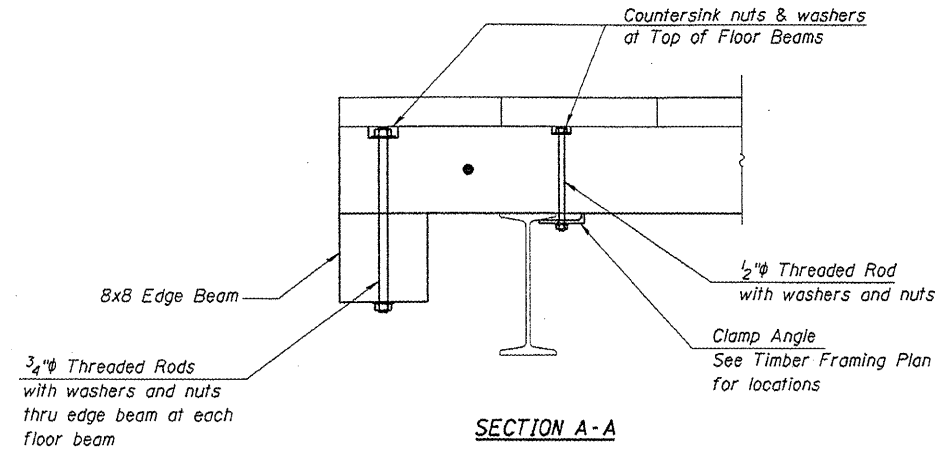
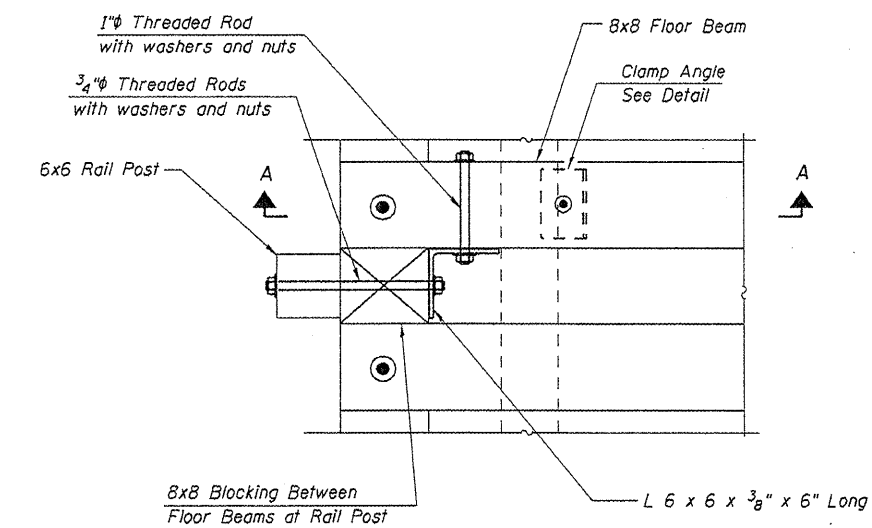


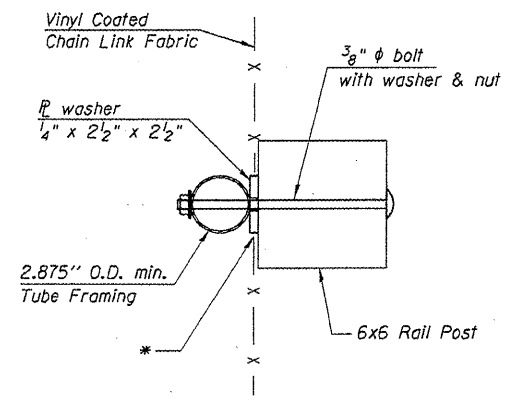
SECTION AT RAIL POST



SECTION A-A

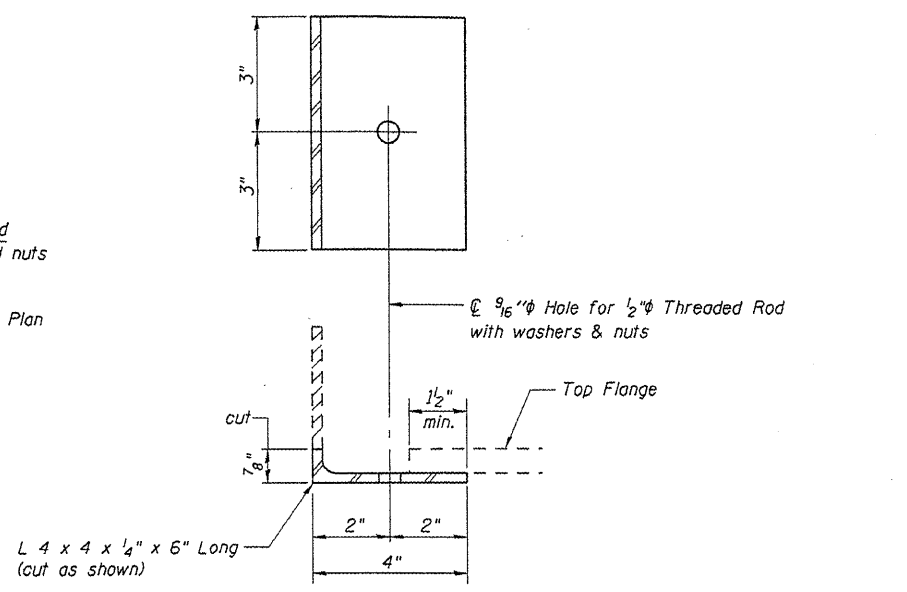


PLAN AT RAIL POST
(Deck Planks Not Shown)

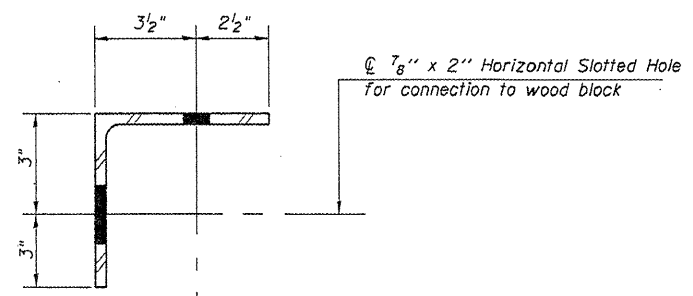


FENCE ATTACHMENT DETAIL

* Cut and Knuckle chain link fabric as required.

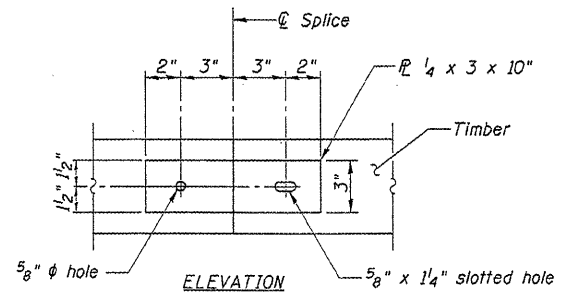


CLAMP ANGLE
(32 Required)

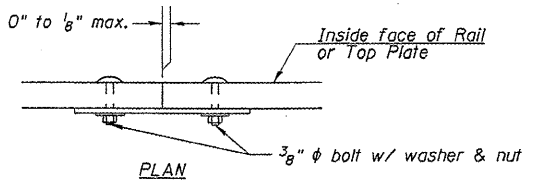


L 6 x 6
TIMBER BLOCK ANGLE
(16 Required)

* Weight of angles included in the weight of Hardware.



ELEVATION



PLAN

SPLICE DETAIL

Note: Minimize splices in rails and top plate. Where possible span 3 rail posts.

TIMBER DETAILS
SANGAMON VALLEY TRAIL
OVER JEFFERSON STREET (IL ROUTE 97)
SVT BRIDGE NO. 15
STRUCTURE NO. 084-9936

CEC Cummins Engineering Corporation
Civil and Structural Engineering

JOB = 2192	DESIGNED M.D.C.
FILE = 2192jeff_super	CHECKED A.A.N.
DATE = 10/30/2009	DRAWN T.S.H.
	CHECKED M.D.C.

Revised 4-13-10

Sheet 5 of 6

RTE.	SECTION	COUNTY	TOTAL SHEETS	SHEET NO.
SVT	05-00173-00-BT	SANGAMON	173	111
SANGAMON VALLEY TRAIL			CONTRACT NO. 93522	
FED. ROAD DIST. NO. 6 ILLINOIS FED. AID PROJECT				