

PROPOSED TYPICAL CROSS SECTION

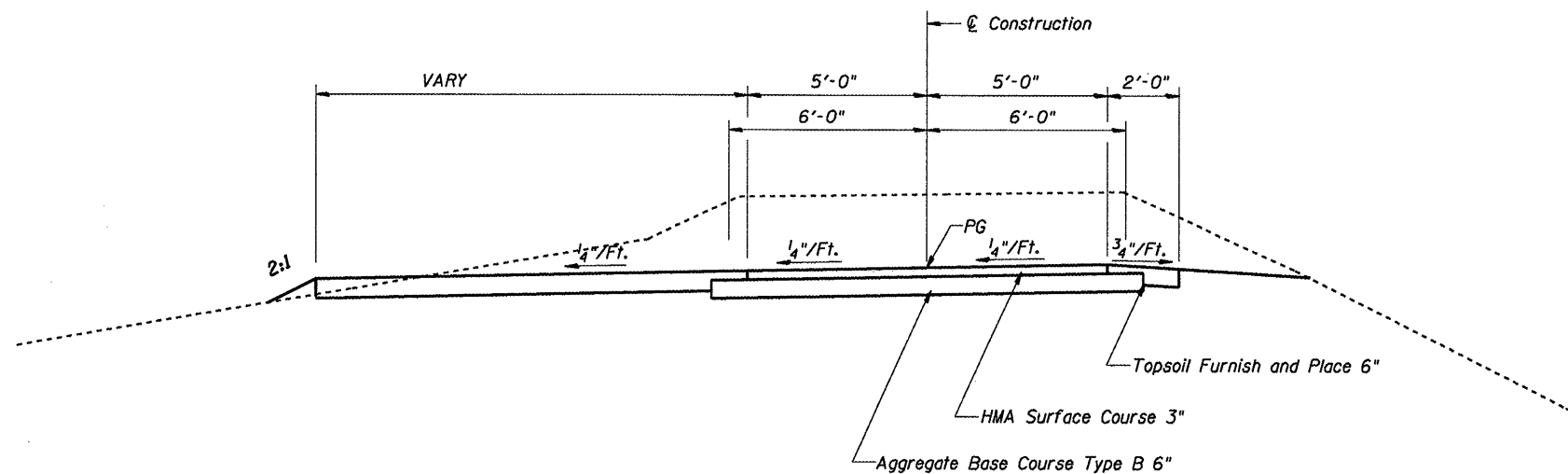
SANGAMON VALLEY TRAIL

STA 954+07.85	TO STA 955+07.57
STA 956+63.01	TO STA 956+87.17 AH
STA 980+49.44	TO STA 981+59.70
STA 983+41.12	TO STA 984+24.22 AH
STA 1003+81.29	TO STA 1004+50.00
STA 1040+59.84	TO STA 1041+39.51
STA 1042+88.91	TO STA 1044+40.78
STA 1059+61.45	TO STA 1060+55.94
STA 1061+85.30	TO STA 1063+43.57
STA 1120+58.38	TO STA 1121+00.00
STA 1124+98.17	TO STA 1126+25.00
STA 1128+50.00	TO STA 1153+21.88

PROPOSED TYPICAL CROSS SECTION

SANGAMON VALLEY TRAIL

STA 932+00.00	TO STA 933+00.00
RT STA 1026+00.00	TO STA 1030+00.00
STA 1053+04.35	TO STA 1053+25.50
STA 1056+81.50	TO STA 1057+01.75
STA 1110+50.00	TO STA 1112+00.00
STA 1119+25.00	TO STA 1120+25.00
STA 1166+91.40	TO STA 1167+11.40
STA 1171+05.75	TO STA 1171+25.75
STA 1188+55.68	TO STA 1188+75.68
STA 1189+22.01	TO STA 1189+42.01
STA 1205+75.00	TO STA 1207+25.00



SHOULDER TRANSITIONS
 2' STA 1121+00.00 TO 10' STA 1121+50.00
 10' STA 1122+00.00 TO 2' STA 1122+50.00

PROPOSED TYPICAL CROSS SECTION

SANGAMON VALLEY TRAIL
 STA 1121+00 TO STA 1122+50

CUMMINS
 ENGINEERING
 CORPORATION

JOB = 2192
FILE NAME = 2192typ.dgn
PLOT SCALE = 5.0000' / IN.
PLOT DATE = 6/5/2009

DESIGNED - NAK	REVISED
DRAWN - AJH	REVISED
CHECKED - NAK	REVISED
DATE - 1/21/2009	REVISED

SANGAMON VALLEY TRAIL

TYPICAL CROSS SECTIONS

F.A.S. RTE.	SECTION	COUNTY	TOTAL SHEETS	SHEET NO.
	05-00173-00-BT	SANGAMON	173	7
CONTRACT NO. 9352				
FED. ROAD DIST. NO.	ILLINOIS FED. AID PROJECT			