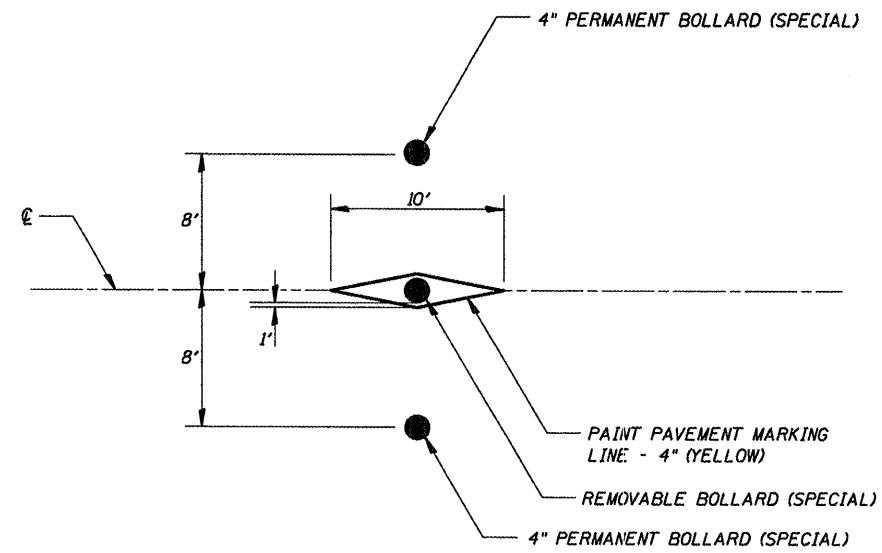


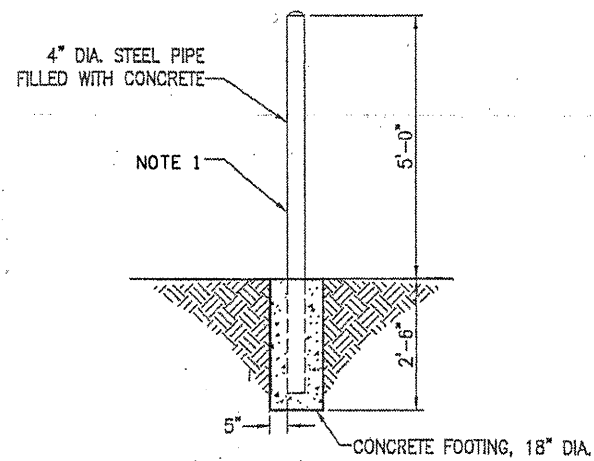
5" DIA. REMOVABLE BOLLARD DETAIL

NOTE 1:
ALUMINUM PIPE AND STEEL PIPE SHALL BE COVERED WITH YELLOW RETROREFLECTIVE SHEETING MEETING THE REQUIREMENTS OF ARTICLE 1106.01 OF THE STANDARD SPECIFICATIONS

ALL EXCAVATION, BACKFILL, CONCRETE AND REFLECTIVE SHEETING IS INCIDENTAL TO THE COST OF THE PERMANENT BOLLARD (SPECIAL) AND REMOVABLE BOLLARD (SPECIAL)



BOLLARD LAYOUT



4" PERMANENT BOLLARD (SPECIAL) DETAIL

CUMMINS
ENGINEERING
CORPORATION

JOB = 2192	DESIGNED - NAK	REVISED -
FILE NAME = 2192details.dgn	DRAWN - AJH	REVISED -
PLOT SCALE = 1/8" = 1' IN.	CHECKED - NAK	REVISED -
PLOT DATE = 6/8/2009	DATE - 6/02/2009	REVISED -

SANGAMON VALLEY TRAIL

BOLLARD DETAILS

F.A.S. RTE.	SECTION	COUNTY	TOTAL SHEETS	SHEET NO.
	05-00173-00-BT	SANGAMON	173	63
CONTRACT NO.				
FED. ROAD DIST. NO.	ILLINOIS FED. AID PROJECT			

3522