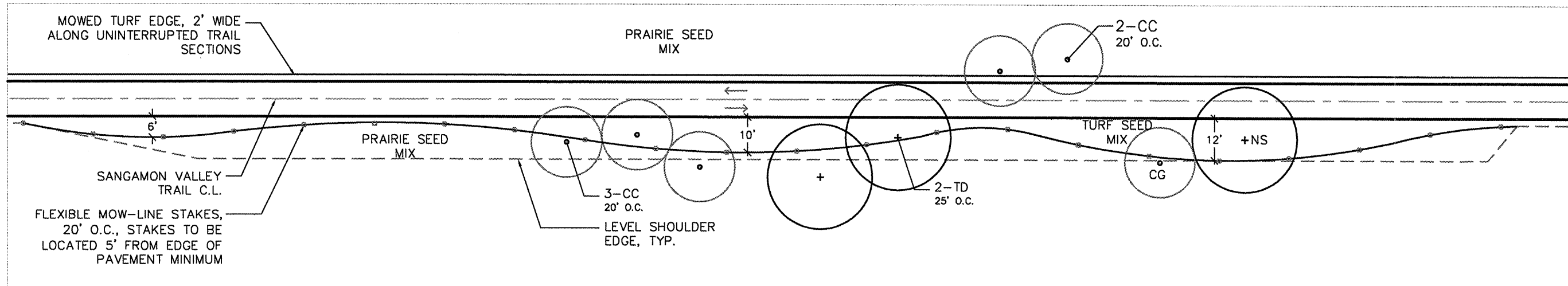
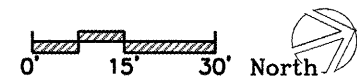


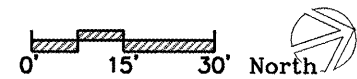
PLANTING AREA 4

STA 1105+00.00



PLANTING AREA 5

STA 1186+29.00



PLANT SCHEDULE				
DESIGNATION	BOTANICAL NAME	COMMON NAME	SIZE	QUANTITY
SHADE TREES				
NS	<i>Nyssa sylvatica</i>	Black Tupelo	2 1/2" BB	3
TD	<i>Taxodium distichum</i>	Common Baldcypress	2 1/2" BB	2
ORNAMENTAL TREES				
CC	<i>Cercis canadensis</i>	Eastern Redbud	2", BB Tree Form	5
CG	<i>Crataegus crusgallis v. inermis</i>	Thornless Cockspur Hawthorn	2", BB Tree Form	4

NOTES:

- All disturbed areas shall be prepared and seeded with turf mix or prairie mix according to Seeding Special Provisions.
- Plans show tentative tree locations. Final locations will be staked in field by the Engineer.

Massie & Massie Associates

JOB = 2192	DESIGNED -- KM	REVISED --
FILE NAME = SFILES	DRAWN -- NFB	REVISED --
PLOT SCALE = SCALES	CHECKED -- SM	REVISED --
PLOT DATE = SDATES	DATE -- 6/5/2009	REVISED --

SANGAMON VALLEY TRAIL

PLANTING AREAS 2

F.A.S. RTE.	SECTION	COUNTY	TOTAL SHEETS	SHEET NO.
	05-00173-00-BT	SANGAMON	123	71
SCALE: _____ SHEET NO. 71 OF _____ SHEETS STA. _____ TO STA. _____				
FED. ROAD DIST. NO. _____ ILLINOIS FED. AID PROJECT _____ CONTRACT NO. _____				

93502