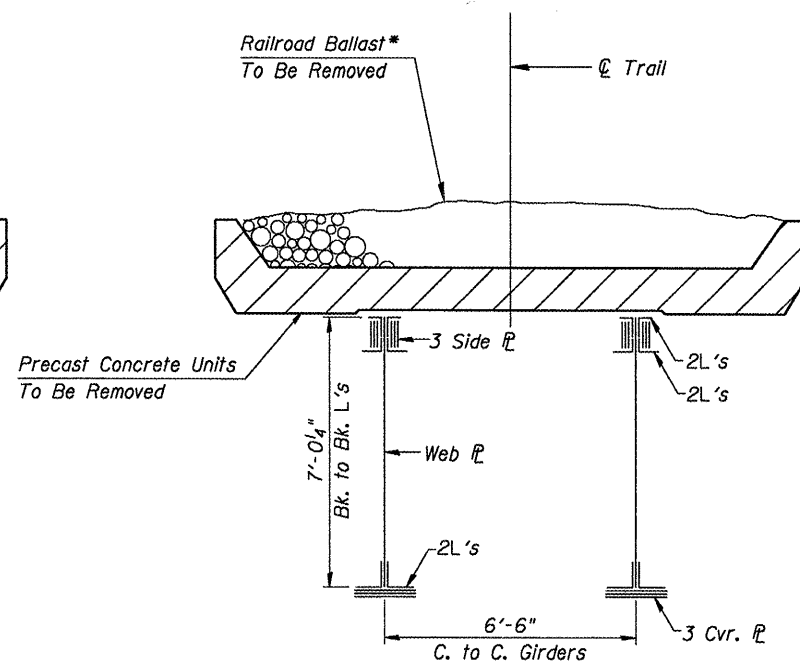
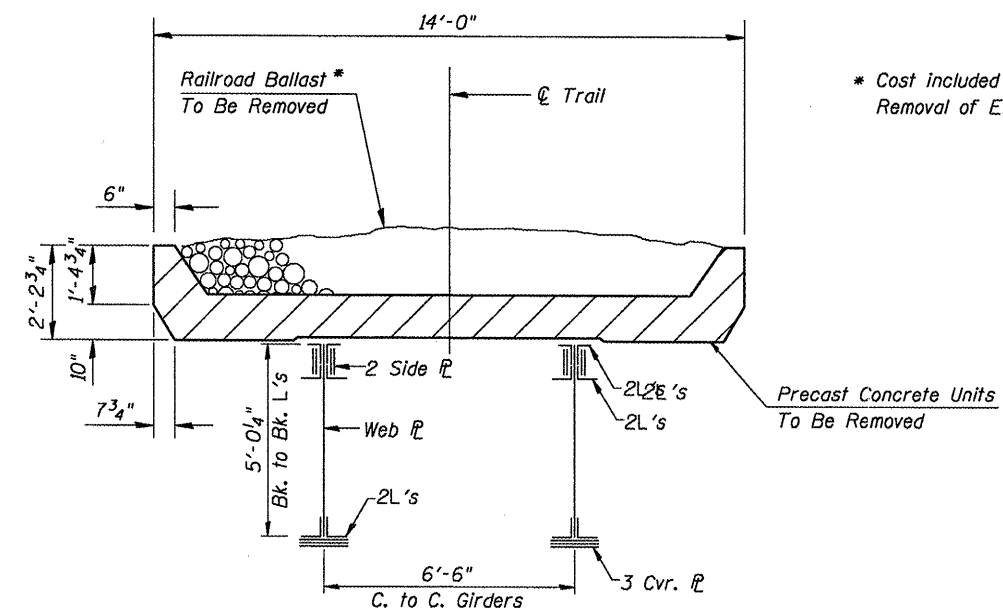


**EXISTING CROSS SECTION  
35' RIVETED DECK PLATE GIRDER  
(SPAN 1 - GIRDERS TO BE REMOVED)**

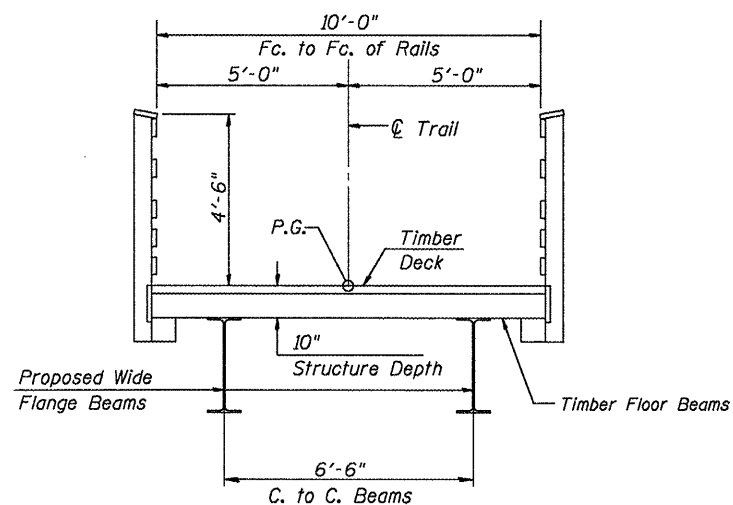


**EXISTING CROSS SECTION  
65' RIVETED DECK PLATE GIRDER  
(SPANS 2-4 - GIRDERS TO REMAIN)**

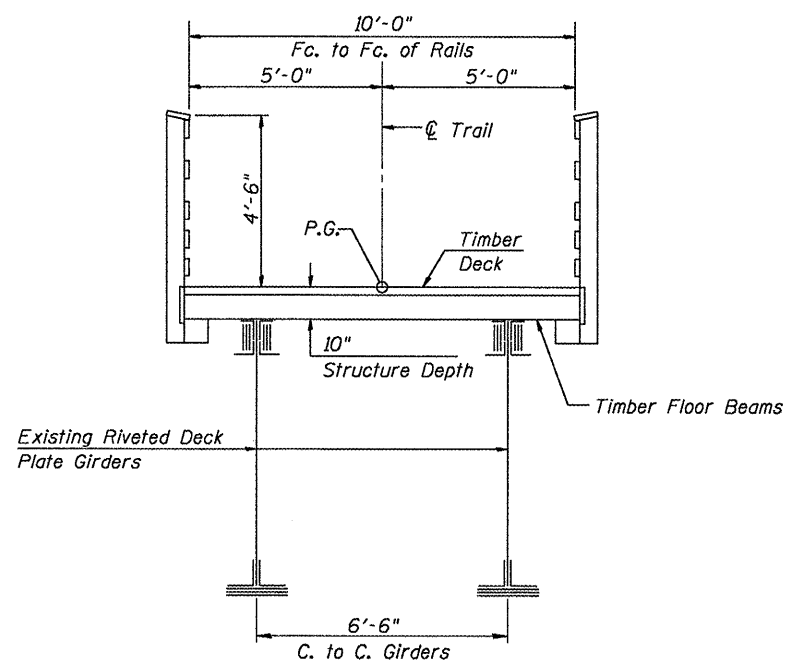


**EXISTING CROSS SECTION  
47' RIVETED DECK PLATE GIRDER  
(SPANS 5-7 - GIRDERS TO BE REMOVED)**

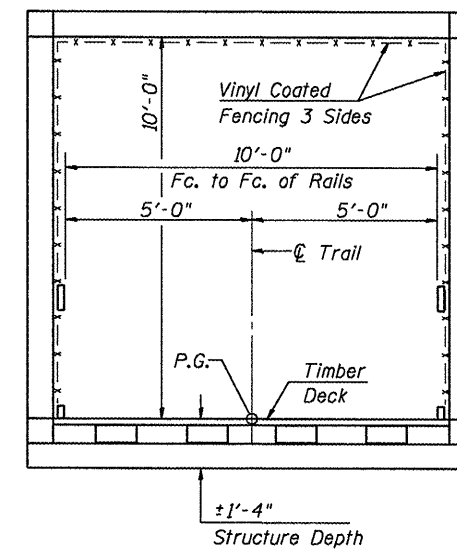
\* Cost included in the cost for Removal of Existing Precast Concrete Units.



**PROPOSED CROSS SECTION  
NEW STEEL BEAMS  
SPAN 1**



**PROPOSED CROSS SECTION  
REHABILITATION OF EXISTING  
RIVETED PLATE GIRDERS  
SPANS 2-4**



**PROPOSED CROSS SECTION  
PREFABRICATED TRUSS BRIDGE  
FULL-THROUGH BOX SYSTEM**

**TYPICAL CROSS SECTIONS  
SANGAMON VALLEY TRAIL  
OVER OLD JACKSONVILLE ROAD  
SVT BRIDGE NO. 12  
STRUCTURE NO. 084-9912**