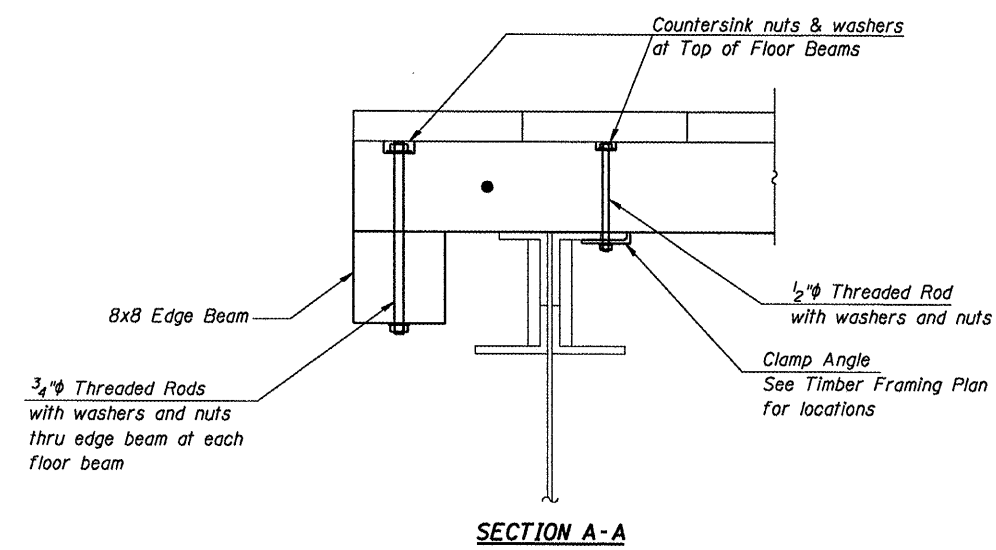
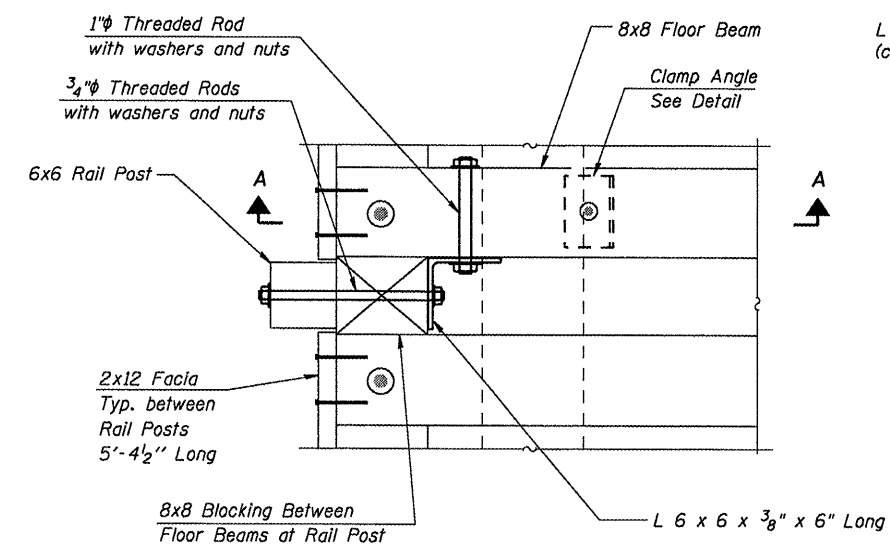


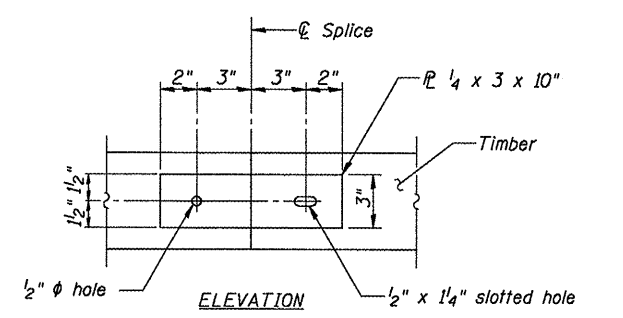
SECTION AT RAIL POST



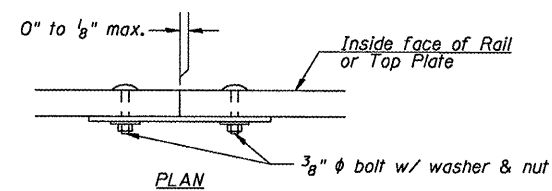
SECTION A-A



PLAN AT RAIL POST
(Deck Planks Not Shown)

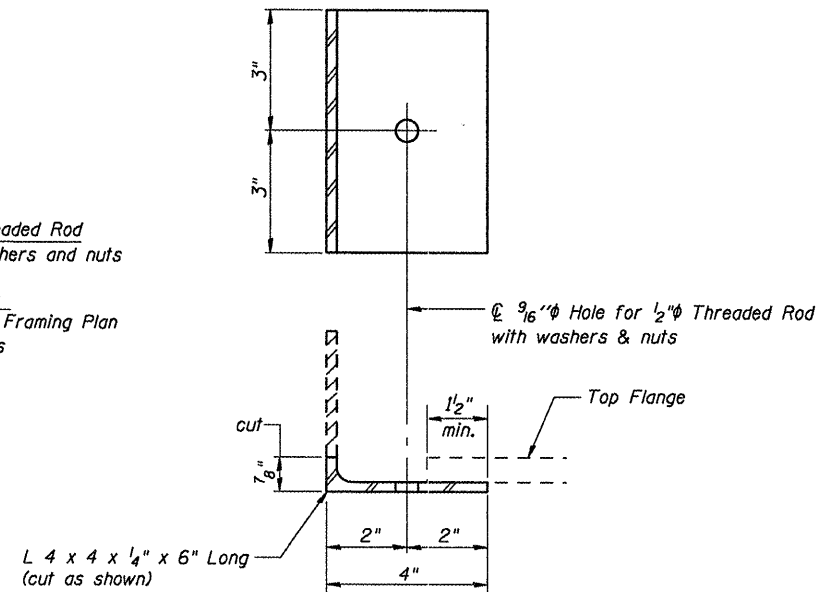


ELEVATION

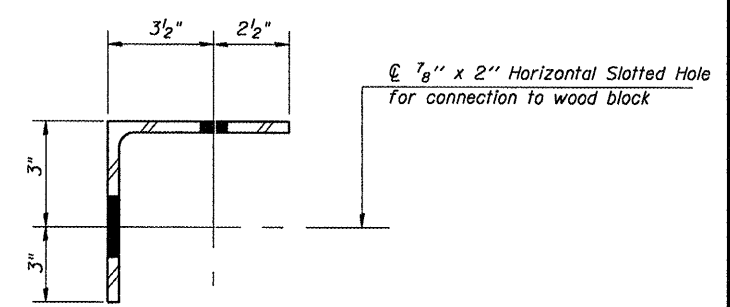


SPLICE DETAIL

Note: Minimize splices in rails and top plate. Where possible span 3 rail posts.



CLAMP ANGLE*
(32 Required)



L 6 x 6
TIMBER BLOCK ANGLE*
(16 Required)

* Weight of angles included in weight of Hardware.

TIMBER DETAILS
SPANS 1-4
SANGAMON VALLEY TRAIL
OVER OLD JACKSONVILLE ROAD
SVT BRIDGE NO. 12
STRUCTURE NO. 084-9912

CEC Cummins Engineering Corporation
Civil and Structural Engineering

JOB = 2192	DESIGNED	M.D.C.
FILE = 2192oldjack_super	CHECKED	A.A.M.
DATE = 6/5/2009	DRAWN	T.S.H.
	CHECKED	M.D.C.

Sheet 6 of 12	RT.	SECTION	COUNTY	TOTAL SHEETS	SHEET NO.
	SVT	05-00173-00-BT	SANGAMON	173	81
	SANGAMON VALLEY TRAIL			CONTRACT NO.	
FED. ROAD DIST. NO. 6 ILLINOIS FED. AID PROJECT					

03522