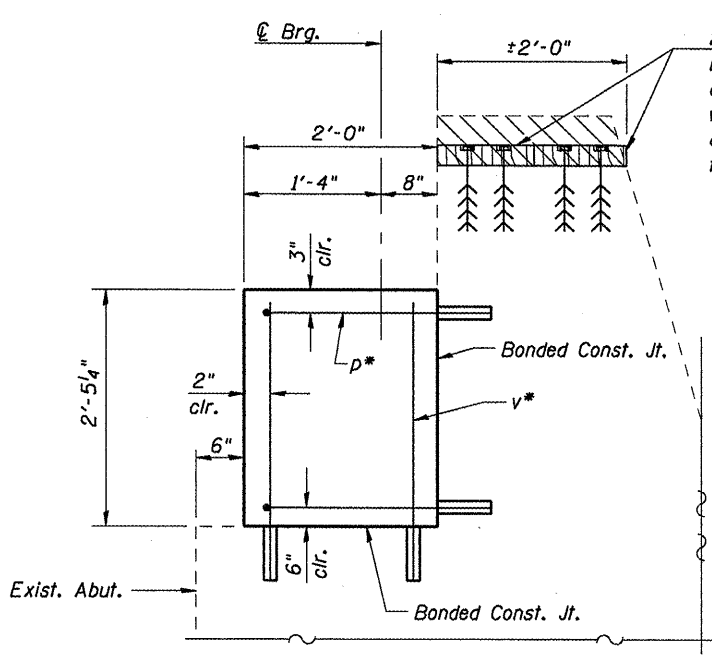
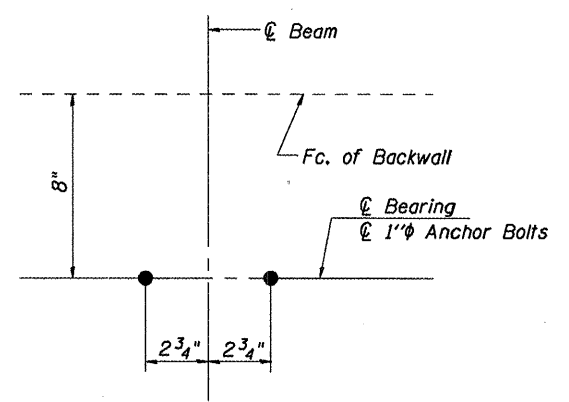


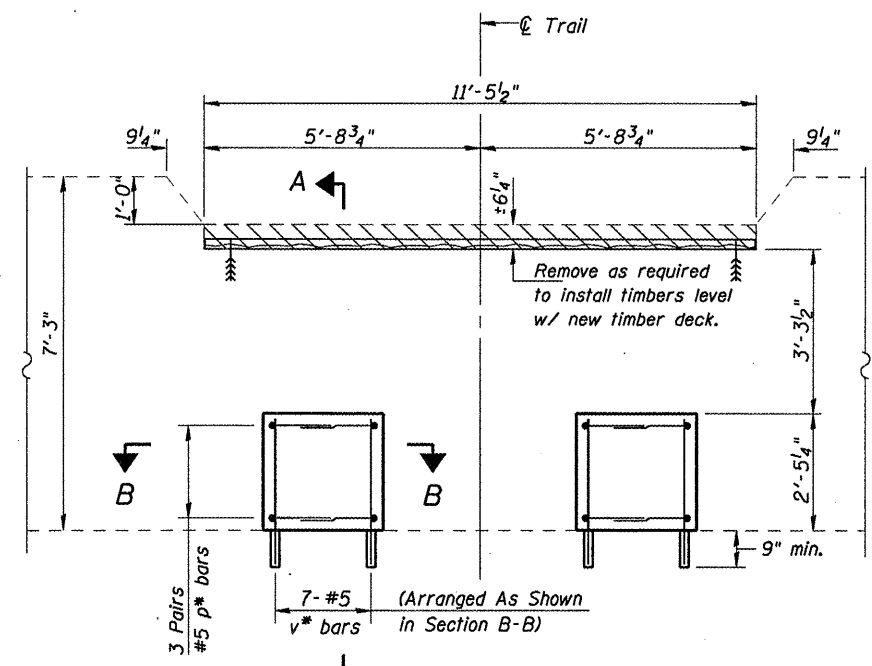
PLAN



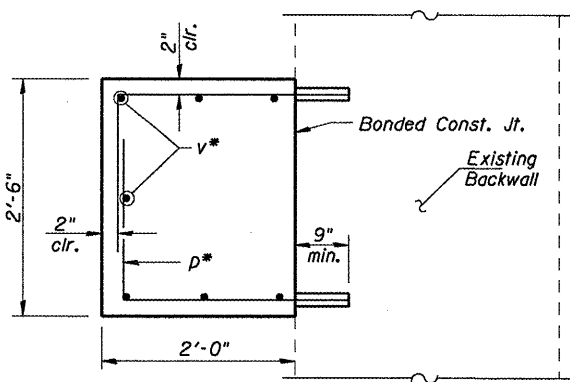
SECTION A-A



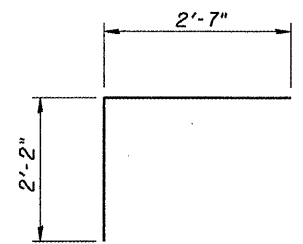
ANCHOR BOLT LAYOUT AT SOUTH ABUTMENT



ELEVATION (Looking South)



SECTION B-B



bar p*

BILL OF MATERIAL - SOUTH ABUTMENT

Bar	No.	Size	Length	Shape
p*	12	#5	4'-9"	┌
v*	14	#5	3'-0"	—
Concrete Removal			Cu. Yd.	0.4
Concrete Structures			Cu. Yd.	0.9
Reinforcement Bars, Epoxy Coated			Pound	110
Treated Timber			F.B.M.	70
Hardware			Pound	40
Concrete Sealer			Sq. Ft.	42

Note:
 Hatched areas indicate limits of Concrete Removal.
 All bars designated with an asterisk (ie.: v*) shall be epoxy grouted in accordance with Section 584 of the Standard Specifications. Minimum embedment = 9".
 All reinforcement bars shall be epoxy coated.

**SOUTH ABUTMENT DETAILS
 SANGAMON VALLEY TRAIL
 OVER OLD JACKSONVILLE ROAD
 SVT BRIDGE NO. 12
 STRUCTURE NO. 084-9912**

CEC Cummins Engineering Corporation Civil and Structural Engineering	JOB = 2192	DESIGNED	M.D.C.
	FILE = 2192oldjack_sub	CHECKED	A.A.N.
	DATE = 1/8/2010	DRAWN	T.S.H.
		CHECKED	M.D.C.

Sheet 9 of 12	RTE.	SECTION	COUNTY	TOTAL SHEETS	SHEET NO.
	SVT	05-00173-00-BT	SANGAMON	173	84
	SANGAMON VALLEY TRAIL			CONTRACT NO.	
FED. ROAD DIST. NO. 6 ILLINOIS FED. AID PROJECT					

93522