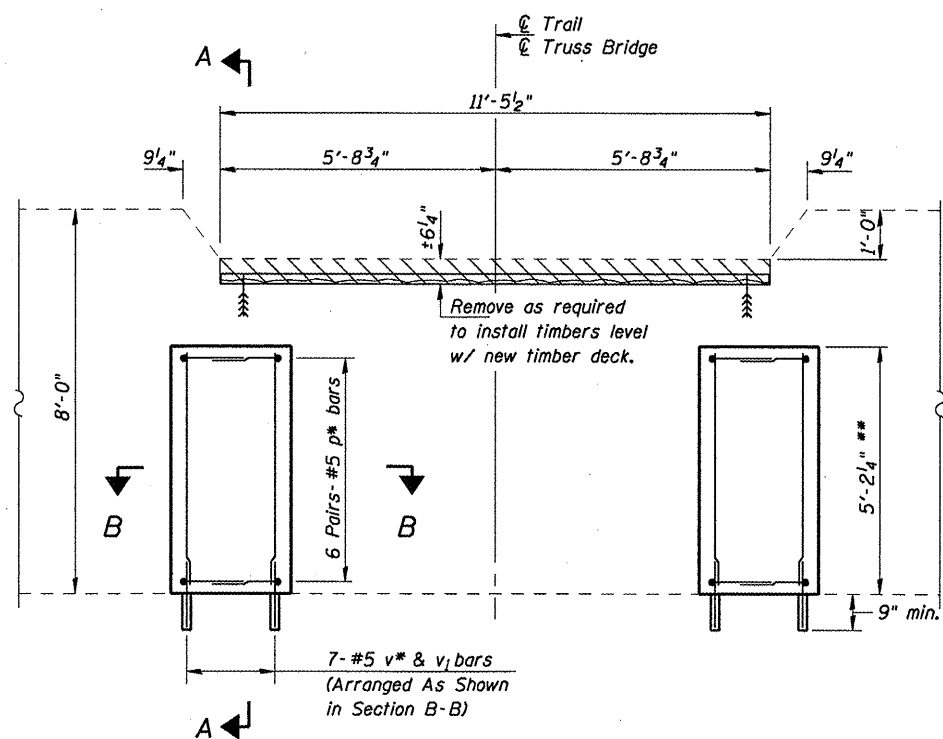
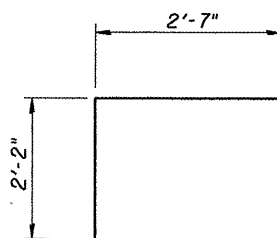


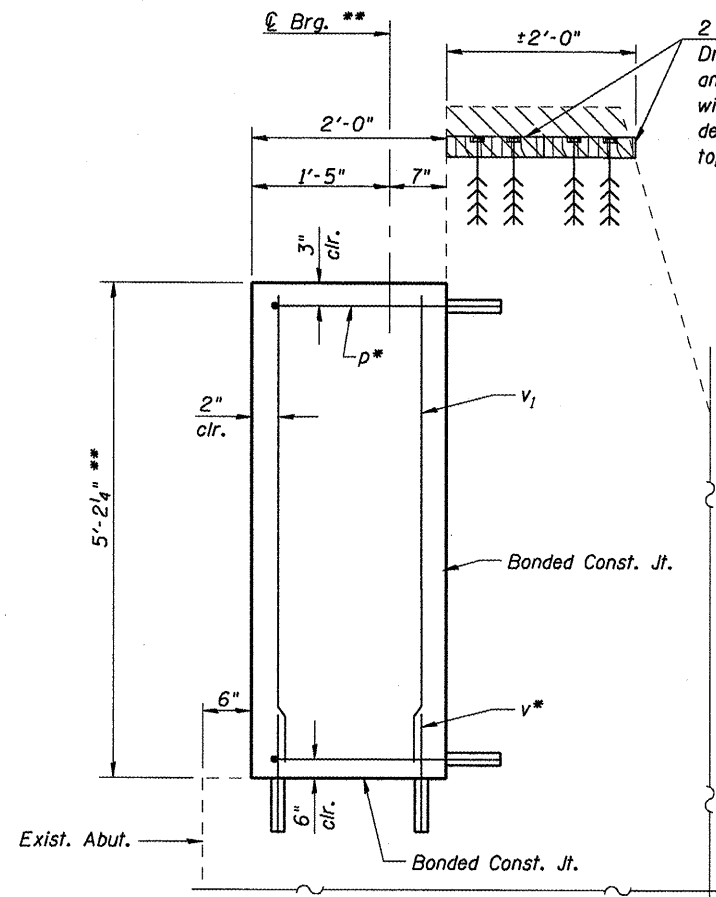
PLAN



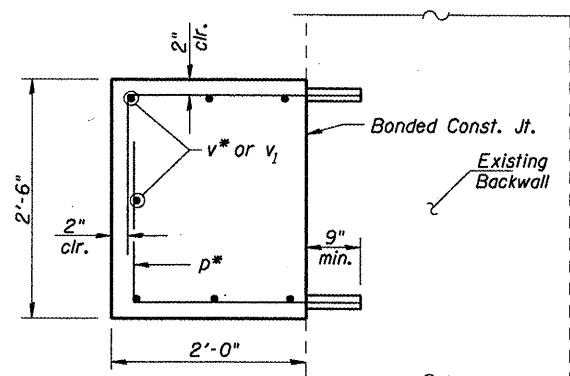
ELEVATION  
(Looking North)



bar p\*



SECTION A-A



SECTION B-B

BILL OF MATERIAL - NORTH ABUTMENT

Bar	No.	Size	Length	Shape
p*	24	#5	4'-9"	┐
v*	14	#5	3'-0"	—
v1	14	#5	4'-11"	—
Concrete Removal			Cu. Yd.	0.4
Concrete Structures			Cu. Yd.	2.0
Reinforcement Bars, Epoxy Coated			Pound	240
Treated Timber			F.B.M.	70
Hardware			Pound	40
Concrete Sealer			Sq. Ft.	78

Note:  
Hatched areas indicate limits of Concrete Removal.  
All bars designated with an asterisk (ie.: v\*) shall be epoxy grouted in accordance with Section 584 of the Standard Specifications. Minimum embedment = 9".  
All reinforcement bars shall be epoxy coated.

NORTH ABUTMENT DETAILS  
SANGAMON VALLEY TRAIL  
OVER OLD JACKSONVILLE ROAD  
SVT BRIDGE NO. 12  
STRUCTURE NO. 084-9912