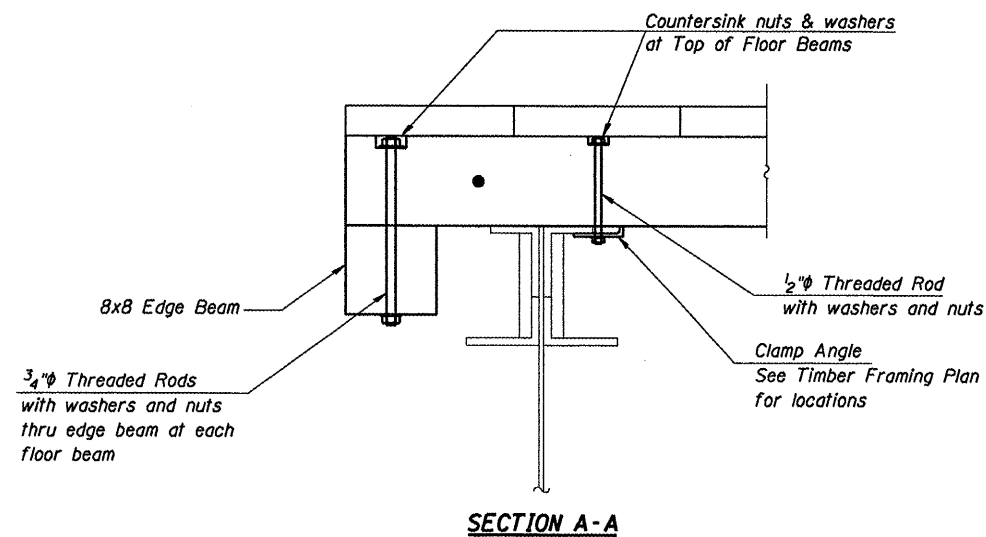
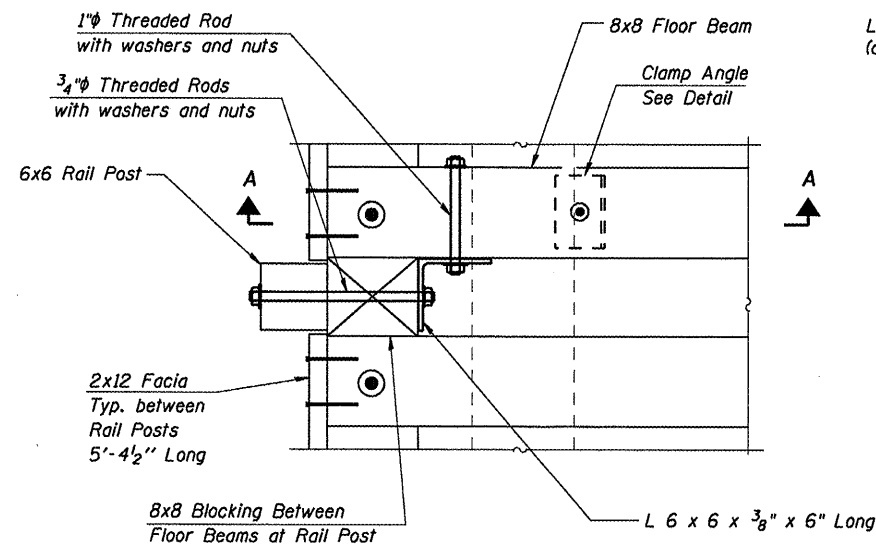


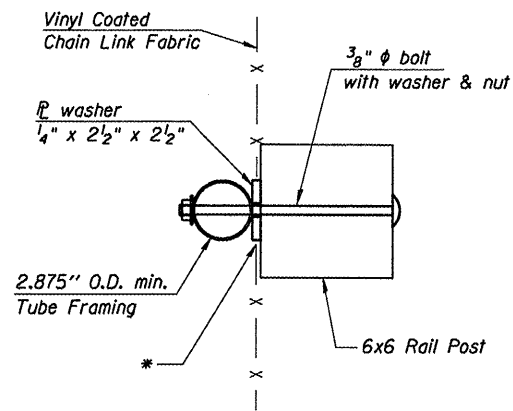
SECTION AT RAIL POST



SECTION A-A

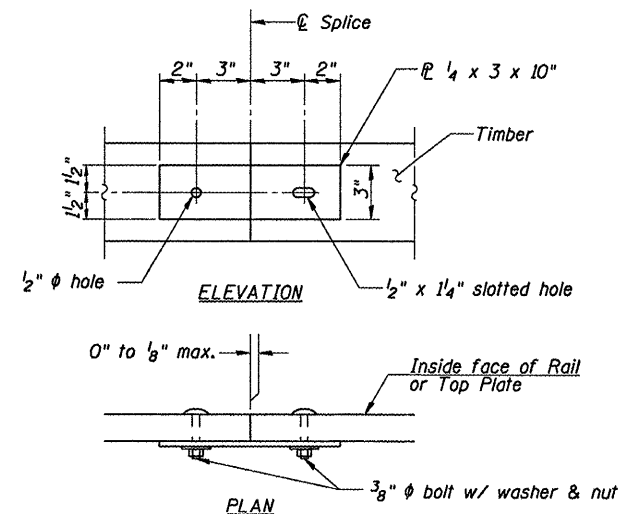


PLAN AT RAIL POST
(Deck Planks Not Shown)



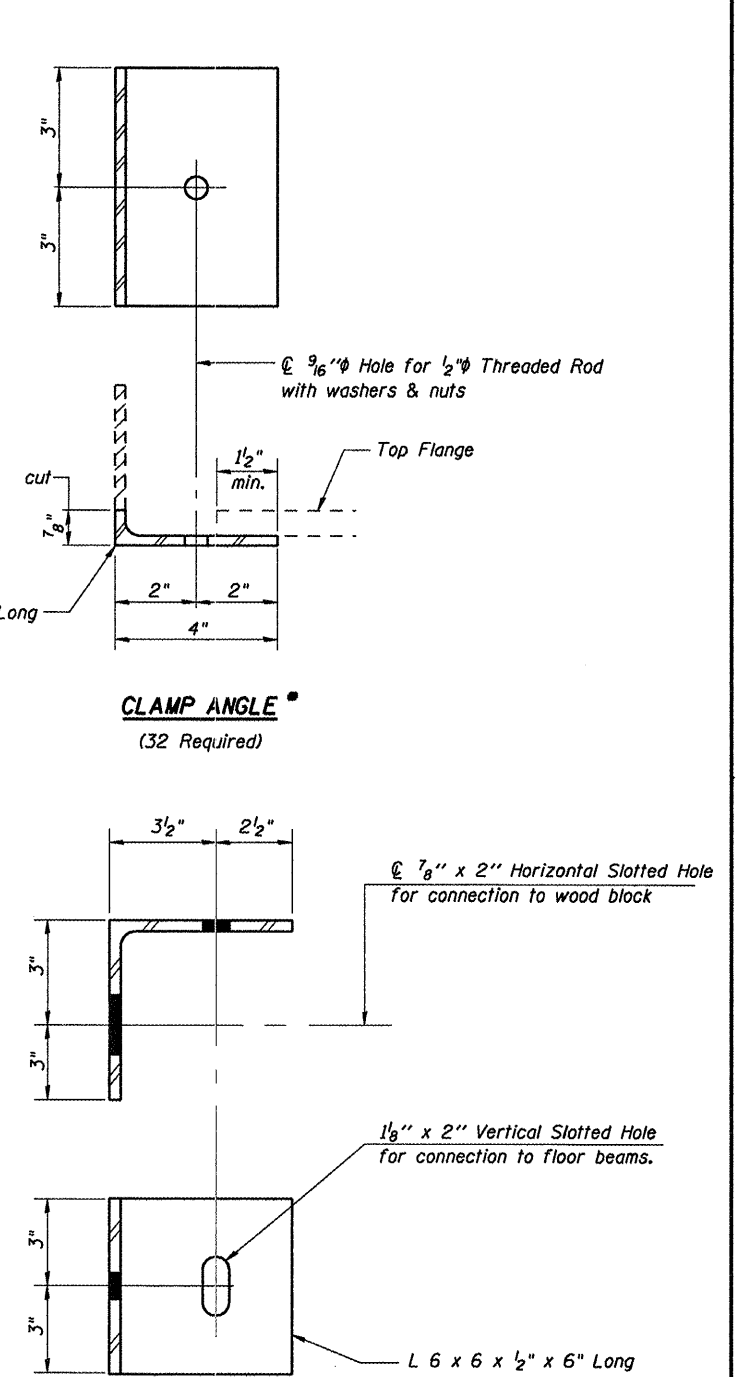
FENCE ATTACHMENT DETAIL

* Cut and Knuckle chain link fabric as required.



SPLICE DETAIL

Note: Minimize splices in rails and top plate. Where possible span 3 rail posts.



CLAMP ANGLE
(32 Required)

L 6 x 6
TIMBER BLOCK ANGLE
(16 Required)

* Weight of angles included in the weight of Hardware.

TIMBER DETAILS
SANGAMON VALLEY TRAIL
OVER WASHINGTON STREET
SVT BRIDGE NO. 13
STRUCTURE NO. 084-9924

CEC Cummins
Engineering
Corporation
Civil and Structural Engineering

JOB = 2192	DESIGNED M.D.C.
FILE = 2192wash_super	CHECKED A.A.N.
DATE = 1/8/2010	DRAWN T.S.H.
	CHECKED M.D.C.

Sheet 5 of 6	RTE.	SECTION	COUNTY	TOTAL SHEETS	SHEET NO.
	SVT	05-00173-00-BT	SANGAMON	173	92
SANGAMON VALLEY TRAIL			CONTRACT NO.		
FED. ROAD DIST. NO. 6 ILLINOIS FED. AID PROJECT					

93522