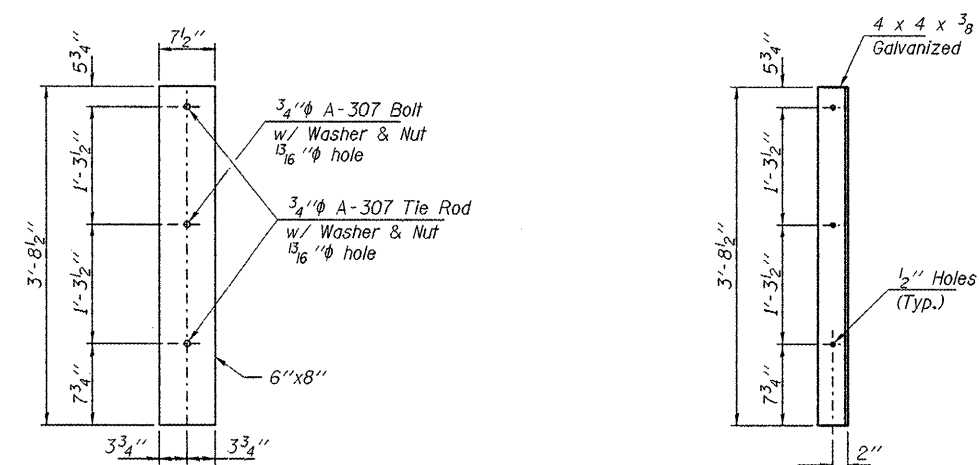
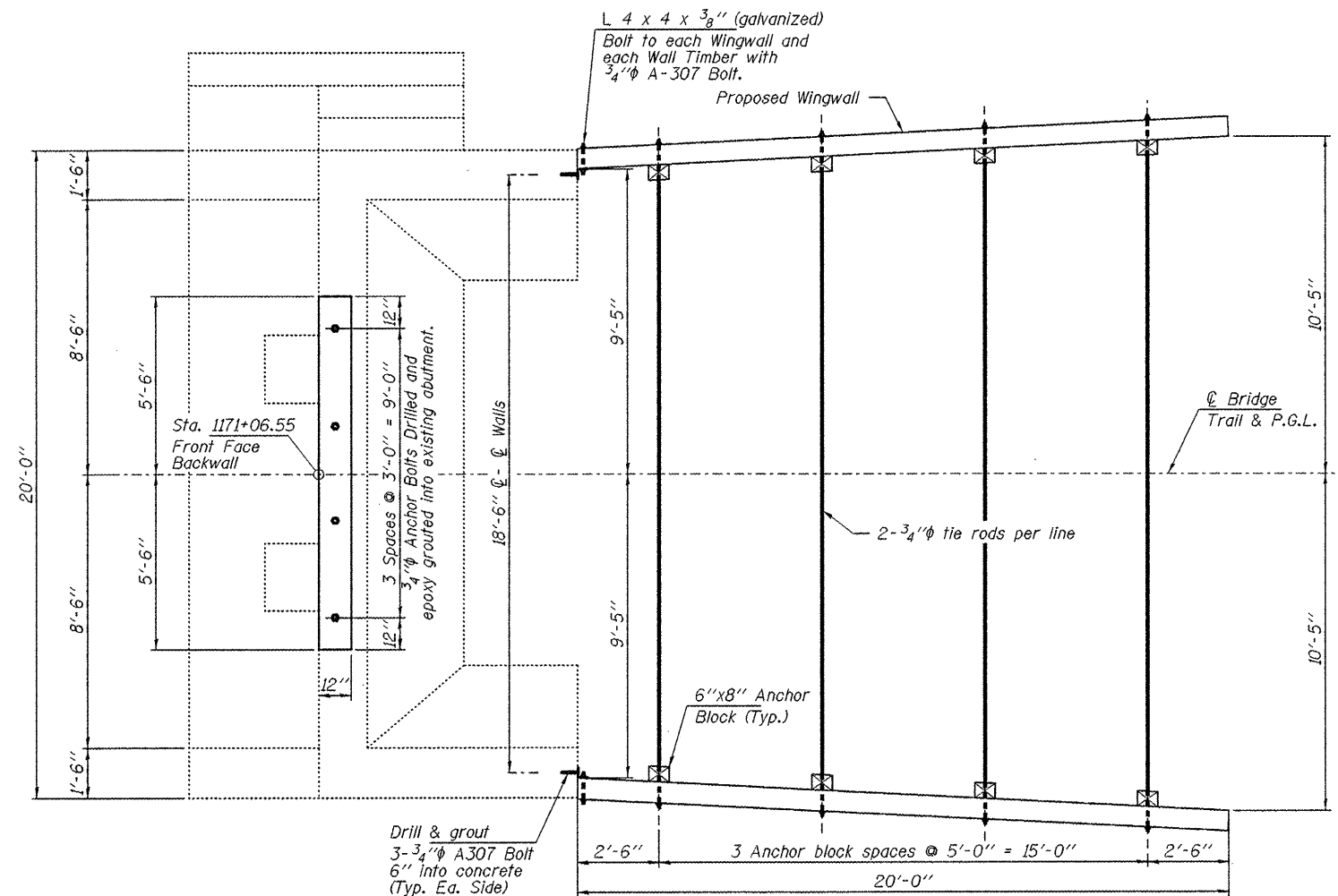


ELEVATION

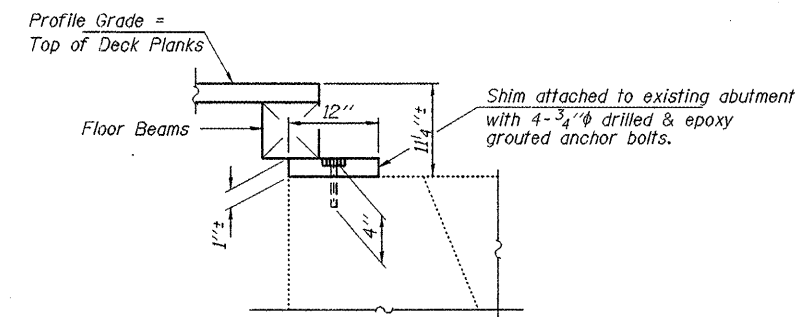


ANCHOR BLOCK DETAIL

ANGLE



PLAN



DETAIL A

TREATED TIMBER SCHEDULE

Nominal Member Size	Total Length (Ft.)	Quantity (F.B.M.)
6"x8"	31	123
8"x16"	120	1,280

BILL OF MATERIAL

Item	Unit	Quantity
Treated Timber	F.B.M.	1,414
Hardware	Pound	220

NOTES

- All bolts, nuts, washers, lag screws and miscellaneous fasteners shall conform to ASTM A-307 and shall be galvanized.
- Structure Excavation required to construct timber retaining wall shall be included in cost of Treated Timber.

**NORTH ABUTMENT
SVT BRIDGE NO. 14
STRUCTURE NO 084-8014**

DESIGNED - S.M.S.
CHECKED - S.W.M.
DRAWN - D.A.B.
CHECKED - S.M.S.

HAMPTON, LENZINI & RENWICK, INC. CIVIL & STRUCTURAL ENGINEERS LAND SURVEYORS 3085 STEVENSON DRIVE, SUITE 201 SPRINGFIELD, ILLINOIS 62703 (217) 546-3400	SHEET NO. 13	T.R.	SECTION	COUNTY	TOTAL SHEETS	SHEET NO.
		13 SHEETS	05-00713-00-BT	SANGAMON	173	106
PROJECT NUMBER: 12-R4-0090	DATE: 05/28/09	S.V.T. OVER SPRING CREEK		CONTRACT NO.		
		FED. ROAD DIST. NO.	ILLINOIS	FED. AID PROJECT	93522	