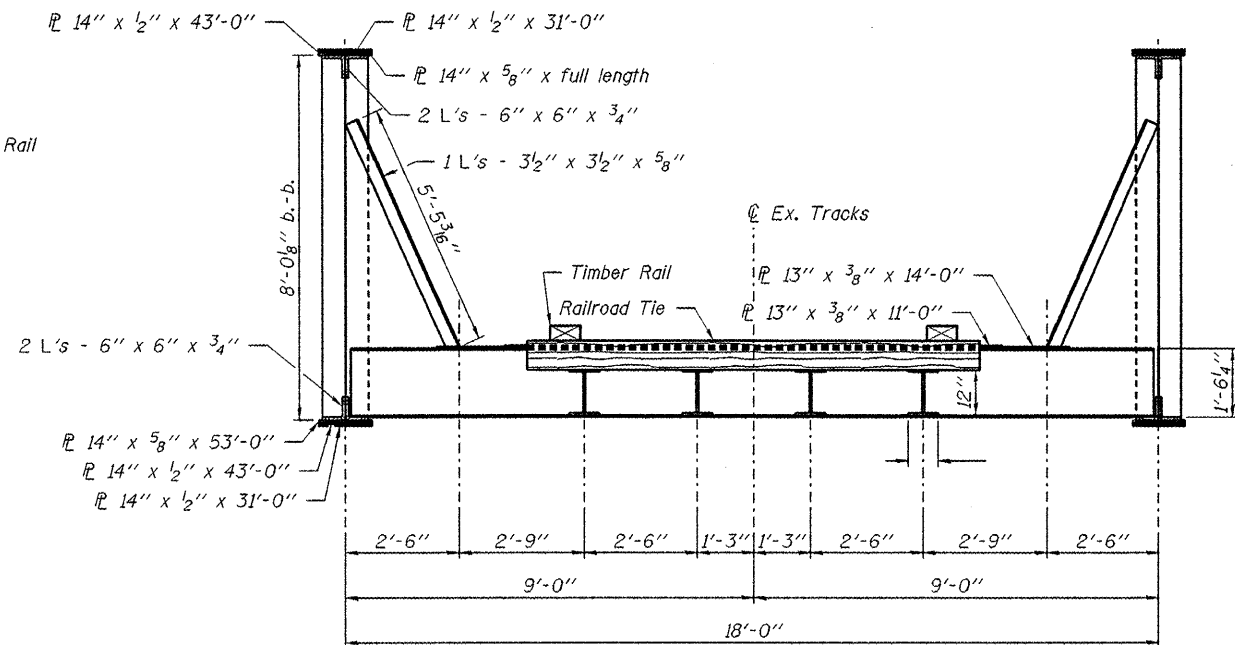
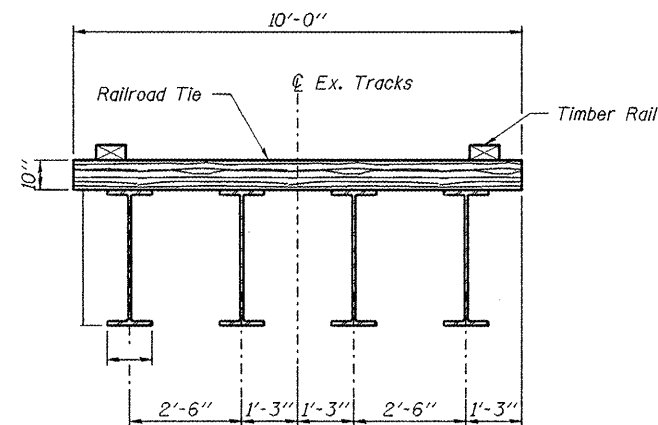


SECTION A-A




SECTION B-B



SECTION C-C

DESIGNED - D.T.M.
CHECKED - S.W.M.
DRAWN - D.A.B.
CHECKED - S.W.M.

TYPICAL SECTIONS
SVT BRIDGE NO. 16

HAMPTON, LENZINI & RENWICK, INC. CIVIL & STRUCTURAL ENGINEERS LAND SURVEYORS  3085 STEVENSON DRIVE, SUITE 201 SPRINGFIELD, ILLINOIS 62703 (217) 546-3400 PROJECT NUMBER: 12-04-0090 DATE: 06/04/09	SHEET NO. 3	T.R.	SECTION	COUNTY	TOTAL SHEETS	SHEET NO.
	3 SHEETS		05-00713-00-BT	SANGAMON	173	115
			S.V.T. OVER SPRING CREEK TRIB.	CONTRACT NO.		
			FED. ROAD DIST. NO.	ILLINOIS FED. AID PROJECT	93522	