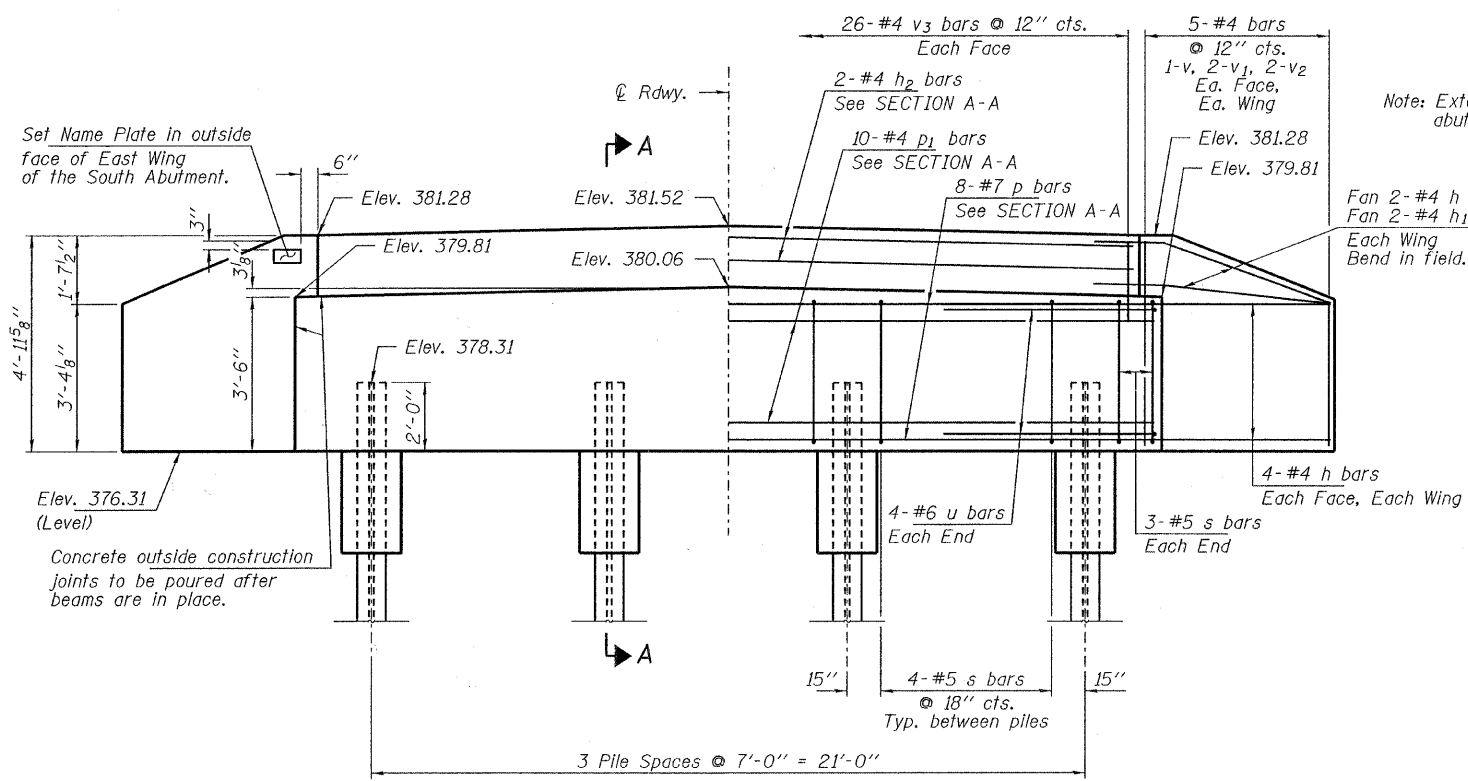
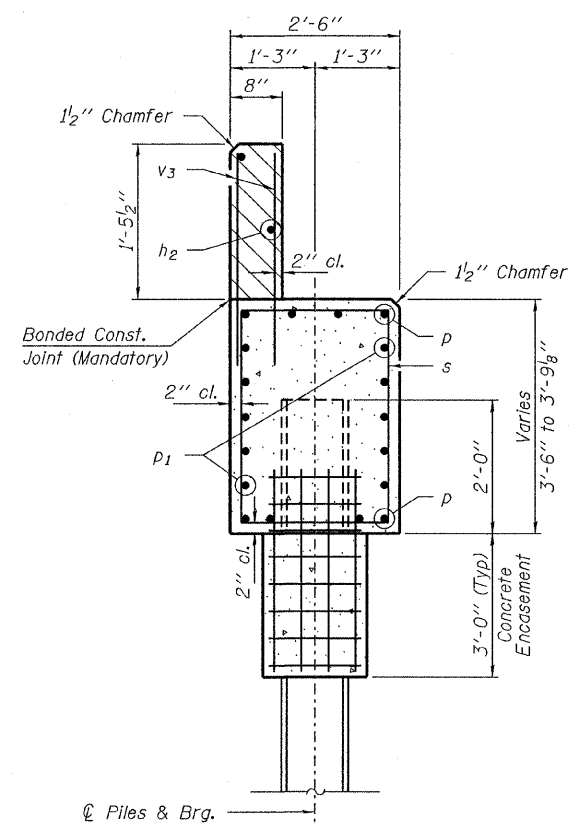


PLAN

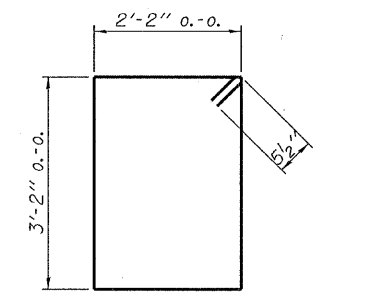


ELEVATION

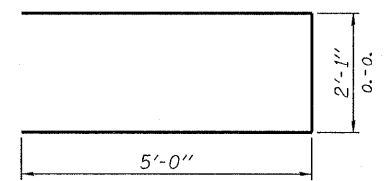


SECTION A-A

Hatched area to be poured after beams are in place.



BAR s



BAR u

Note: Extend h bars into abutment cap.

Fan 2-#4 h bars (B.F.)
Fan 2-#4 h1 bars (F.F.)
Each Wing Bend in field.

BILL OF MATERIAL - 2 ABUTS.

BAR	NO.	SIZE	LENGTH	SHAPE
h	40	#4	5'-6"	—
h1	8	#4	4'-0"	—
h2	4	#4	25'-2"	—
p	16	#7	25'-2"	—
p1	20	#4	25'-2"	—
s	36	#5	11'-7"	□
u	16	#6	12'-1"	—
v	8	#4	4'-6"	—
v1	16	#4	4'-0"	—
v2	16	#4	3'-0"	—
v3	104	#4	2'-4"	—
Concrete Structures			Cu. Yd.	21.4
Concrete Encasement			Cu. Yd.	2.8
Reinforcement Bars			Pound	2,380
Steel Piles HP10x42			Foot	455
Test Pile Steel HP10x42			Each	1
Name Plates			Each	1

PILE DATA

Type Steel HP10x42
No. Req'd. (2 Abutments) *8
Factored Resistance Available (Rf) 167 Kips/Pile
Nominal Required Bearing (Rn) 335 Kips/Pile
Est. Length 65 Ft/Pile

Notes: * Includes one test pile to be driven in permanent location at the South Abutment.

The Steel H-Piles shall be according to AASHTO M270 Grade 50.

The test piles shall be driven to 110 percent of the Nominal Required Bearing indicated in the pile data information.

DESIGNED - A.S.L.
CHECKED - S.W.M.
DRAWN - D.T.M.
CHECKED - D.A.B.

HAMPTON, LENZINI AND RENWICK, INC.
 CIVIL ENGINEERS - STRUCTURAL ENGINEERS - LAND SURVEYORS
 3085 STEVENSON DRIVE, SUITE 201
 SPRINGFIELD, ILLINOIS 62703
 217.546.3400 www.hlrengineering.com
 184.000000
 ILLINOIS PROFESSIONAL DESIGN FIRM LS / PE / SE CORPORATION
 PROJECT NUMBER: 09.0060.130 DATE: 06/22/09

SHEET NO. 6
10 SHEETS

T.R.	SECTION	COUNTY	TOTAL SHEETS	SHEET NO.
622	08-15143-00-BR	WAYNE	14	10
LEECH ROAD DISTRICT		CONTRACT NO. 95607		
FED. ROAD DIST. NO.		ILLINOIS	FED. AID PROJECT	

ABUTMENTS
STRUCTURE NO. 096-3451