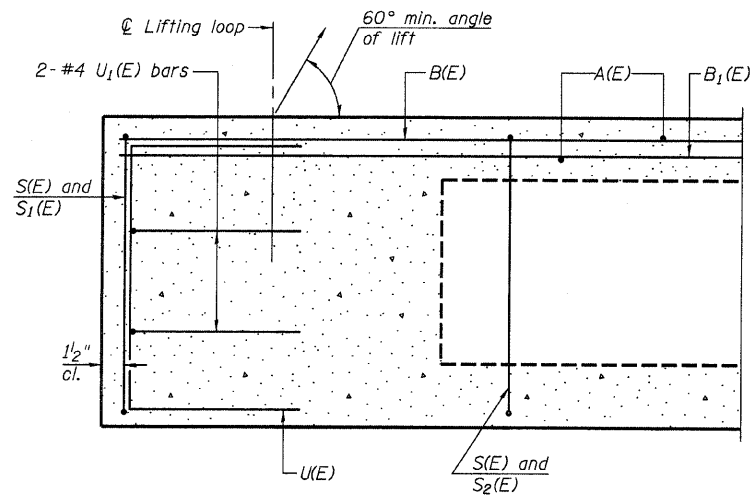
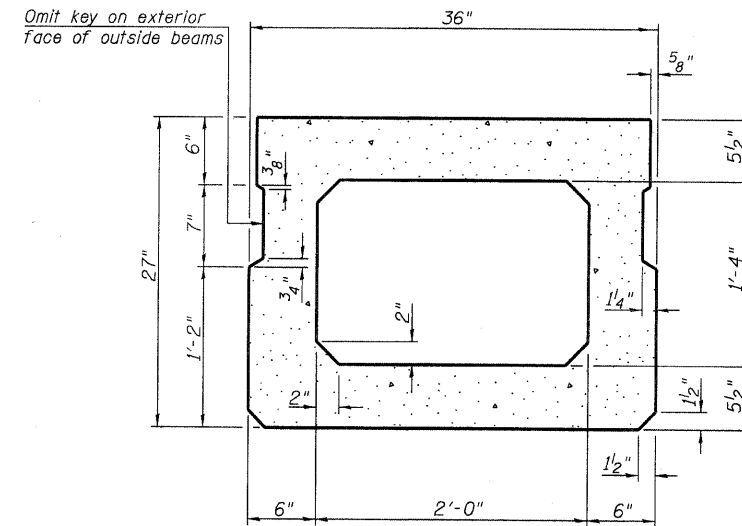


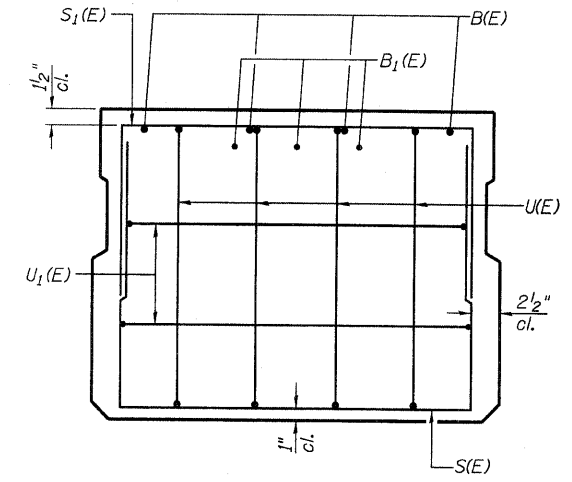
STATE OF ILLINOIS
DEPARTMENT OF TRANSPORTATION



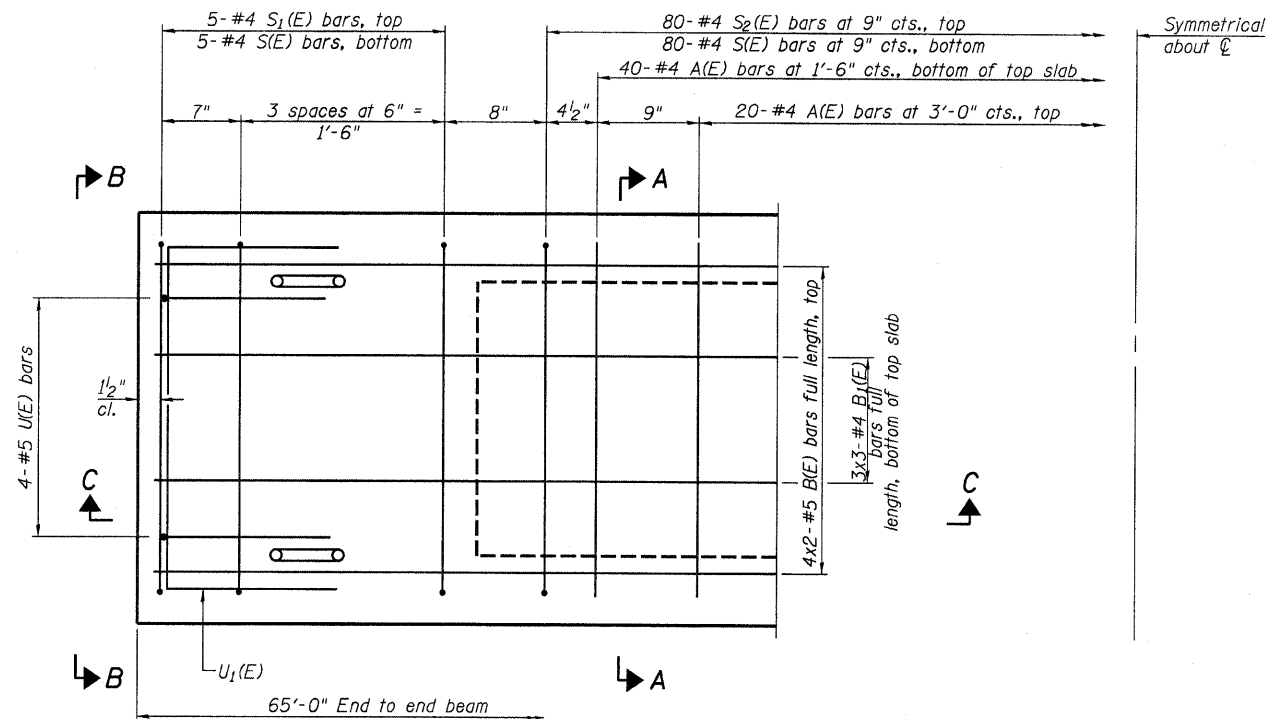
SECTION C-C



SECTION A-A
(Showing dimensions)

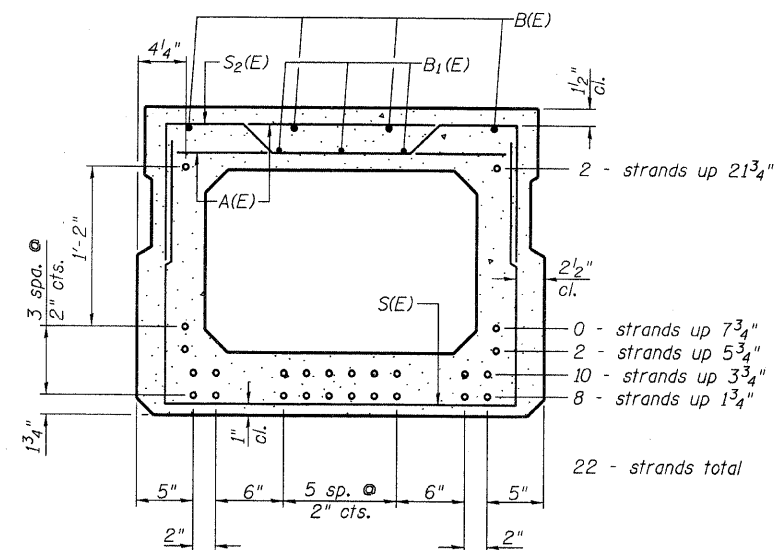


VIEW B-B



PLAN VIEW

Note: Spacing of S(E) and S₂(E) bars may be adjusted up to 4" in the immediate area of the transverse tie diaphragms to miss the block outs for the transverse ties.
Bars indicated thus 4x2-#5 etc. indicates 4 lines of bars with 2 lengths per line.



SECTION A-A

(Showing reinforcement and permissible strand locations)
Note: Place the number of strands specified in each row symmetrically about the centerline of beam in the permissible strand locations shown.

BAR LIST
ONE BEAM ONLY
(For information only)

Bar	No.	Size	Length	Shape
A(E)	60	#4	2'-7"	—
B(E)	8	#5	33'-9"	—
B ₁ (E)	9	#4	23'-3"	—
S(E)	90	#4	6'-5"	U
S ₁ (E)	10	#4	6'-3"	U
S ₂ (E)	80	#4	6'-6"	U
U ₁ (E)	8	#5	4'-6"	U
U ₁ (E)	4	#4	5'-0"	U

Note: See sheet 6 of 10 for additional details and Bill of Material.

27" X 36" PPC DECK BEAMS

27" X 36" PPC DECK BEAM DETAILS
STRUCTURE NO. 026-3448

ROUTE	SECTION	COUNTY	TOTAL SHEETS	SHEET NO.
TR 292	03-20126-00-BR	FAYETTE	10	5
CONTRACT NO. 95619				
ILLINOIS FED. AID PROJECT				

12/28/2009 RAAJ #50409

PD-2736-0

8-29-07