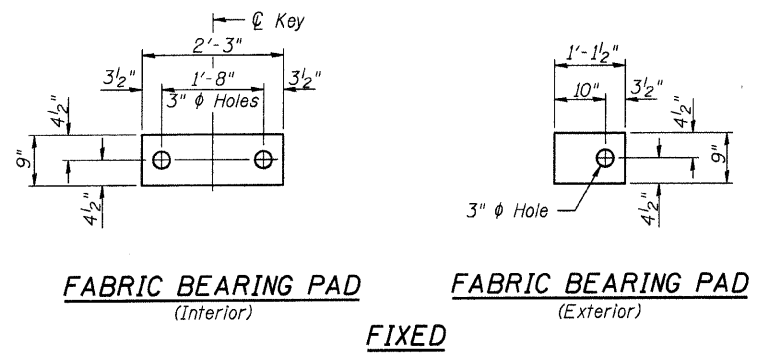
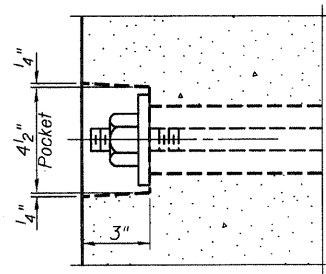


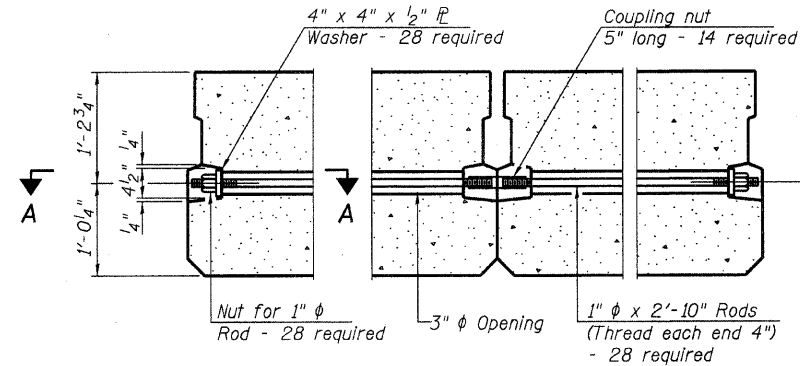
STATE OF ILLINOIS
DEPARTMENT OF TRANSPORTATION



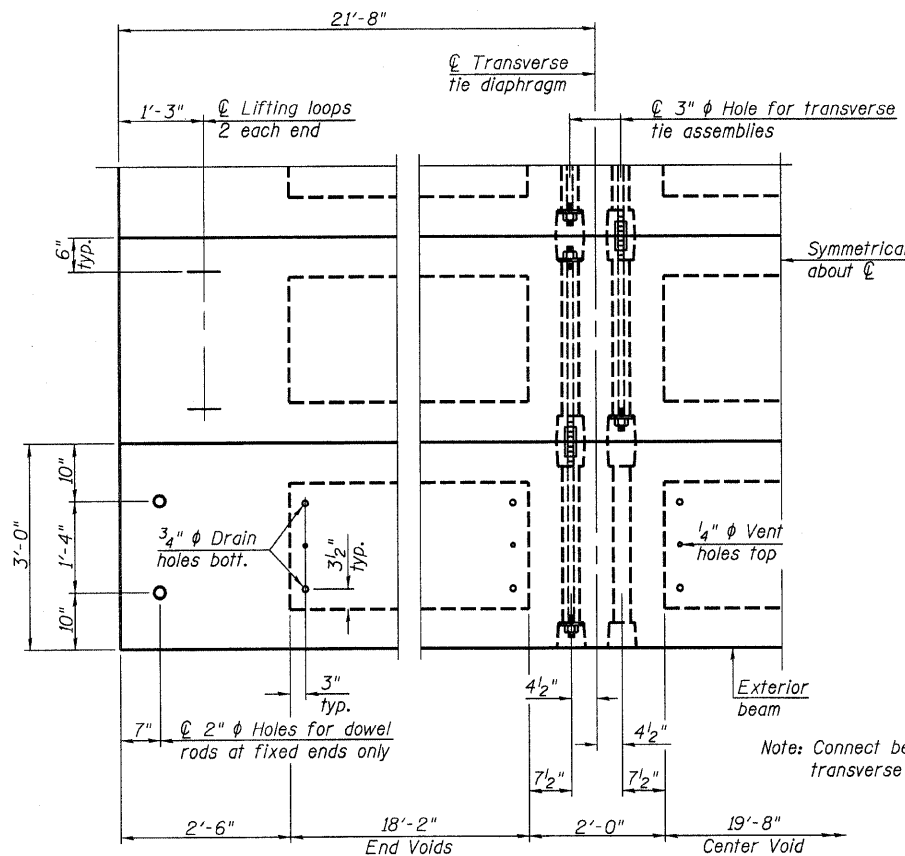
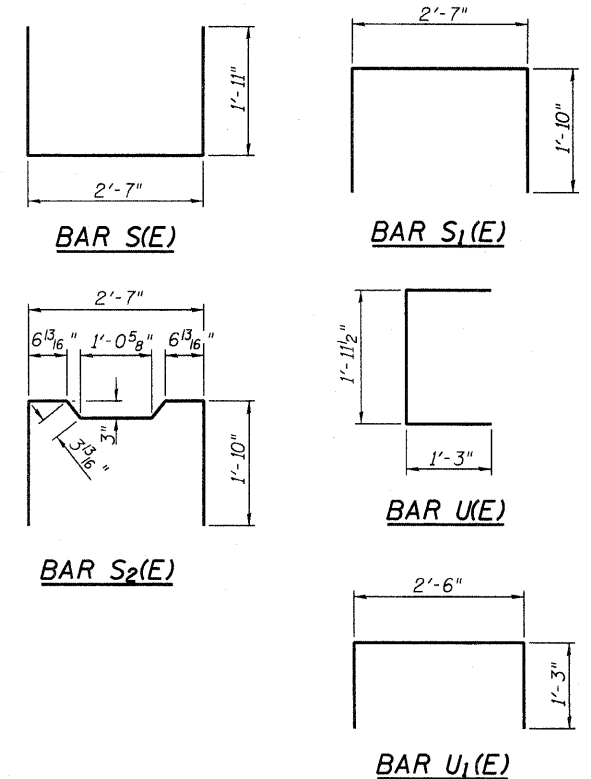
FIXED



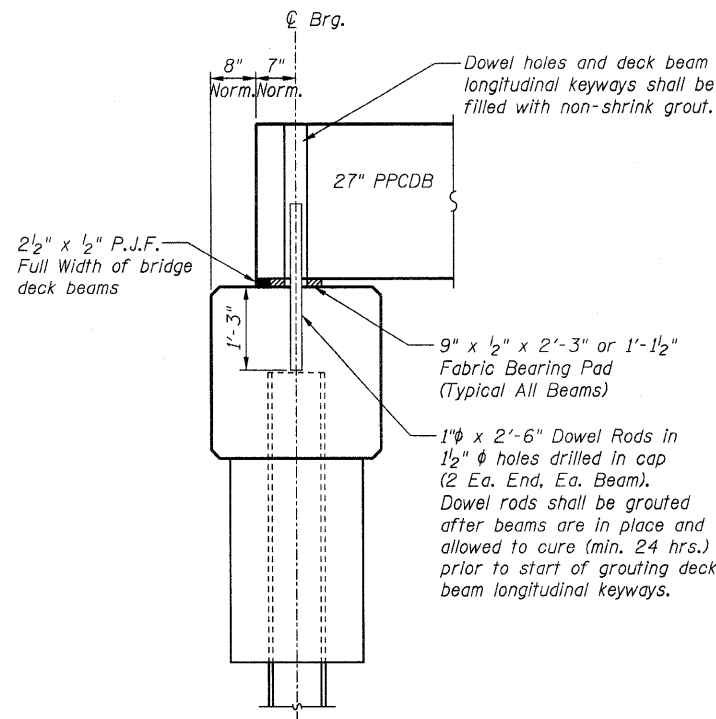
SECTION A-A



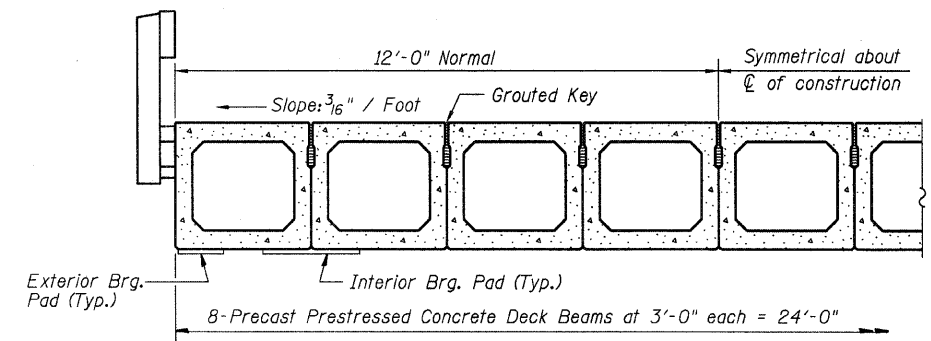
TYPICAL TRANSVERSE TIE ASSEMBLY



PLAN VIEW



FIXED BEARING ABUTMENT



HALF CROSS SECTION

See Sheet 7 for the details showing the spacing and mounting of posts and rails to the PPCDB.

BILL OF MATERIAL

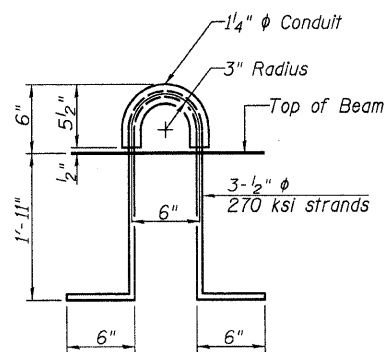
Precast Prestressed Conc. Deck Bms. (27" depth)	Sq. Ft.	1560
---	---------	------

**27" X 36" PPC DECK BEAM DETAILS
STRUCTURE NO. 026-3448**

ROUTE	SECTION	COUNTY	TOTAL SHEETS	SHEET NO.
TR 292	03-20126-00-BR	FAYETTE	10	6
CONTRACT NO. 95619				
ILLINOIS FED. AID PROJECT				

NOTES

- Prestressing steel shall be uncoated high strength, low relaxation 7-wire strand, Grade 270. The nominal diameter shall be 1/2" and the nominal cross-sectional area shall be 0.153 sq. in.
- The 1" rods in the transverse tie assembly shall be tightened to a snug fit and the threads set. Pockets on exterior faces of bridge shall be filled with grout after transverse tie assembly is in place.
- Reinforcement bars shall conform to ASTM A 706 (IL MOD), Grade 60. (See Special Provisions)
- Two 1/8" fabric adjusting shims of the dimensions of the exterior bearing pad shall be provided for each bearing pad location.
- A minimum 2 1/2" diameter lifting pin shall be used to engage the lifting loops during handling.
- Corrosion Inhibitor, per Article 1020.05(b)(12) and 1021.06 of the Standard Specifications, shall be used in the concrete for precast prestressed concrete deck beams.
- Compressive strength of prestressed concrete, f'c, shall be 6000 psi.
- Compressive strength of prestressed concrete at release, f'ci, shall be 5000 psi.



LIFTING LOOP DETAIL