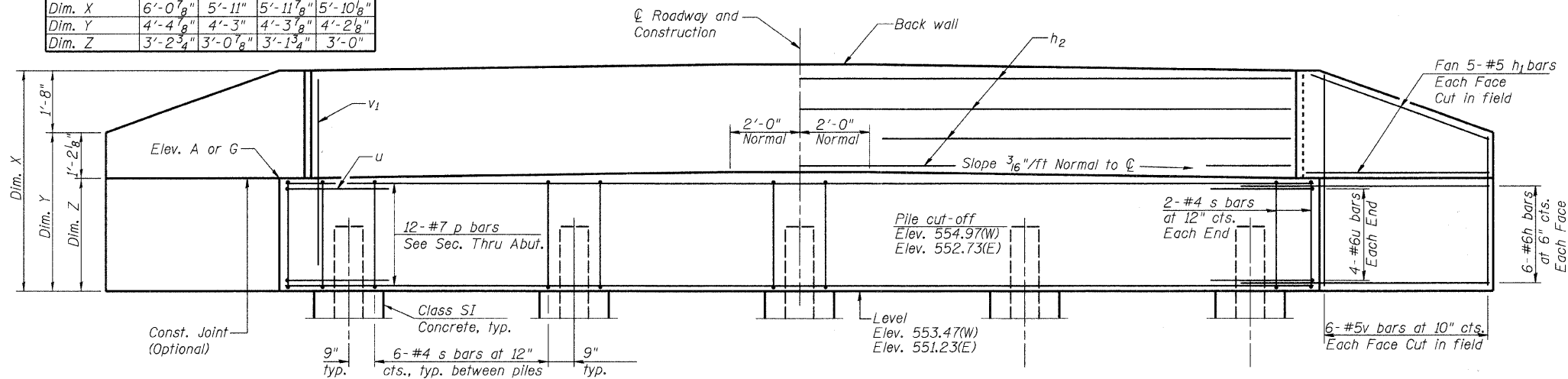


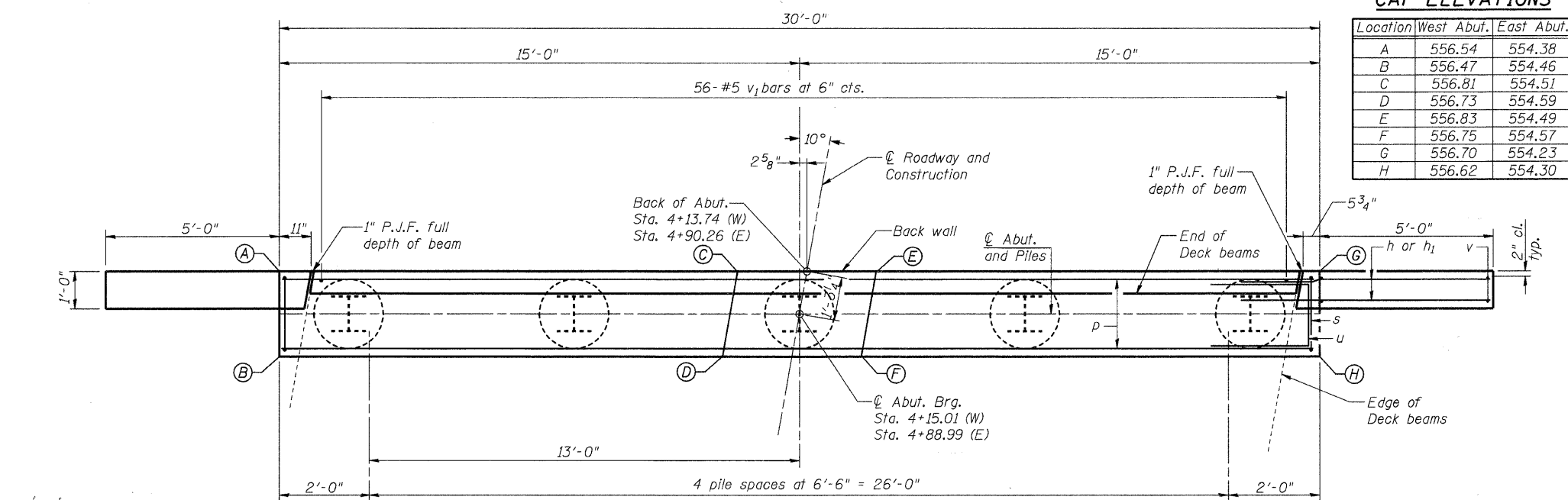
WINGWALL ELEVATIONS AND DIMENSIONS

Location	NW Wing	SW Wing	NE Wing	SW Wing
Top Wing	559.54	559.39	557.22	557.07
Bot. Cap	553.47	553.47	551.23	551.23
Elev. A or G	556.70	556.54	554.38	554.23
Dim. X	6'-0 ⁷ / ₈ "	5'-11"	5'-11 ⁷ / ₈ "	5'-10 ¹ / ₈ "
Dim. Y	4'-4 ⁷ / ₈ "	4'-3"	4'-3 ⁷ / ₈ "	4'-2 ¹ / ₈ "
Dim. Z	3'-2 ³ / ₄ "	3'-0 ⁷ / ₈ "	3'-1 ³ / ₄ "	3'-0"

STATE OF ILLINOIS
DEPARTMENT OF TRANSPORTATION



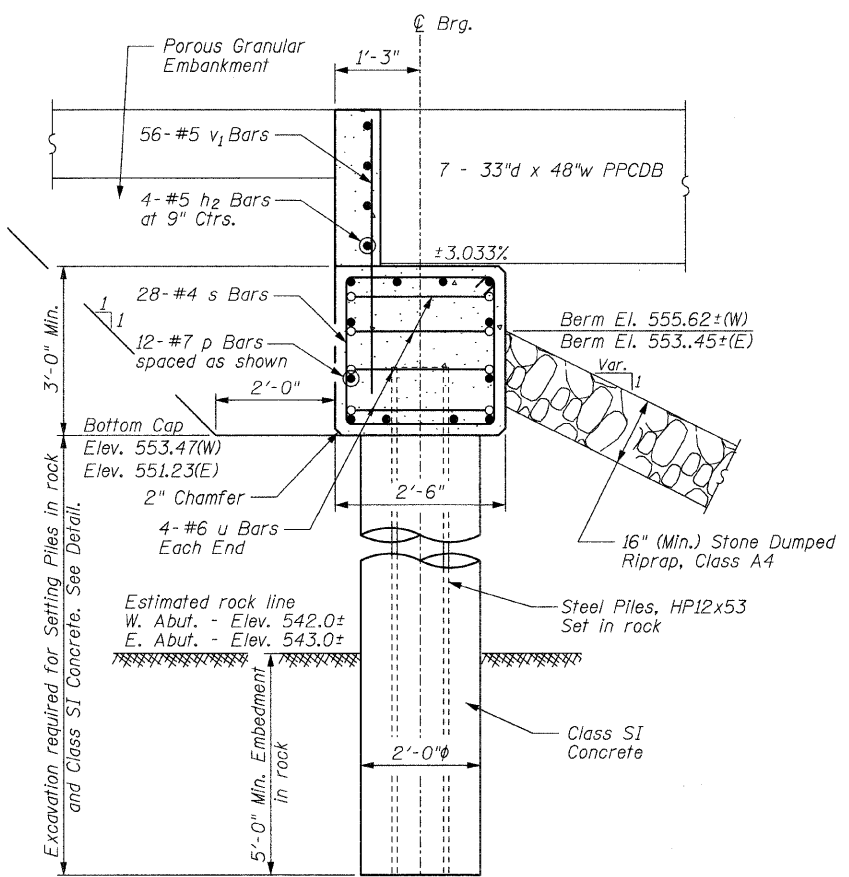
ELEVATION



PLAN

TOP OF ABUTMENT CAP ELEVATIONS

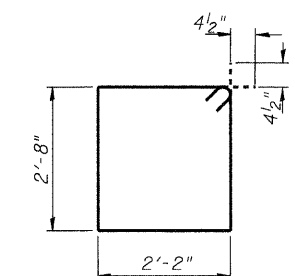
Location	West Abut.	East Abut.
A	556.54	554.38
B	556.47	554.46
C	556.81	554.51
D	556.73	554.59
E	556.83	554.49
F	556.75	554.57
G	556.70	554.23
H	556.62	554.30



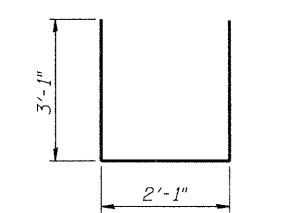
SECTION THRU ABUTMENT

BILL OF MATERIAL FOR ONE ABUTMENT

Bar	No.	Size	Length	Shape
h	24	#6	8'-0"	
h1	20	#5	5'-9"	CUT IN FIELD
h2	4	#5	28'-0"	
p	12	#7	29'-8"	
s	28	#4	10'-5"	
u	8	#6	8'-3"	
v	24	#5	5'-8"	
v1	56	#5	4'-6"	
Concrete Structures				Cu Yd 12.7
Reinforcement Bars				Pound 1950
Furnishing Steel W. Abut.				Foot 90
Piles, HP12x53 E. Abut.				Foot 75
Setting Piles W. Abut.				Each 5
Setting Piles E. Abut.				Each 5



BAR s



BAR u

GENERAL NOTES

All exposed edges shall have standard 3/4" chamfer, unless otherwise noted.
All clearances between rebar and form surface shall be 2", unless otherwise noted.
Space reinforcement in cap to miss PPCDB dowel rods.
The Steel H-piles shall be according to AASHTO M270 Grade 50.

ABUTMENT DETAILS STRUCTURE NO. 040-3259

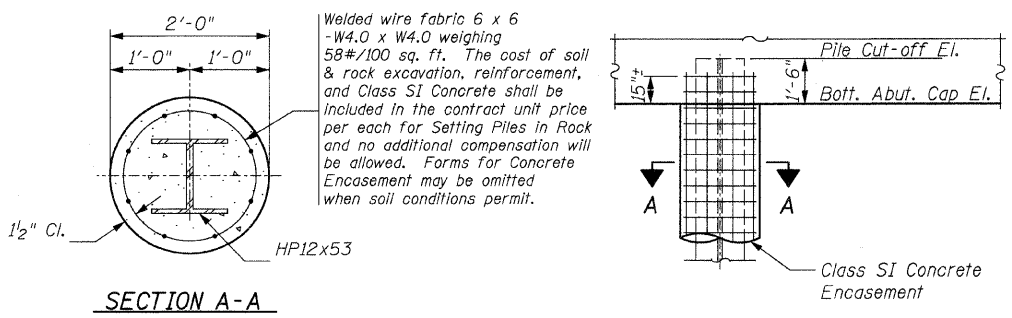
ROUTE	SECTION	COUNTY	TOTAL SHEETS	SHEET NO.
TR 39	07-04124-00-BR	JASPER	9	9
CONTRACT NO. 95622				
FED. ROAD DIST. NO. 7 ILLINOIS FED. AID PROJECT				

PILE DATA: WEST ABUTMENT

Type: Steel HP12x53
Nominal Required Bearing: Set in Rock
Factored Resistance Available: 210 kips
Estimated Length: 18 foot/pile
No. of Production Piles: 5
No. of Test Piles: 0
Estimated Top of Rock Elevation: 542.0±
Rock Socket Depth: 5.0 Foot (Min.)
Rock Socket Diameter: 2.0 Foot

PILE DATA: EAST ABUTMENT

Type: Steel HP12x53
Nominal Required Bearing: Set in Rock
Factored Resistance Available: 210 kips
Estimated Length: 15 foot/pile
No. of Production Piles: 5
No. of Test Piles: 0
Estimated Top of Rock Elevation: 543.0±
Rock Socket Depth: 5.0 Foot (Min.)
Rock Socket Diameter: 2.0 Foot



SECTION A-A

PILE ENCASEMENT DETAIL

02/10/2010 RAAI #51109

AI-0

10-1-08