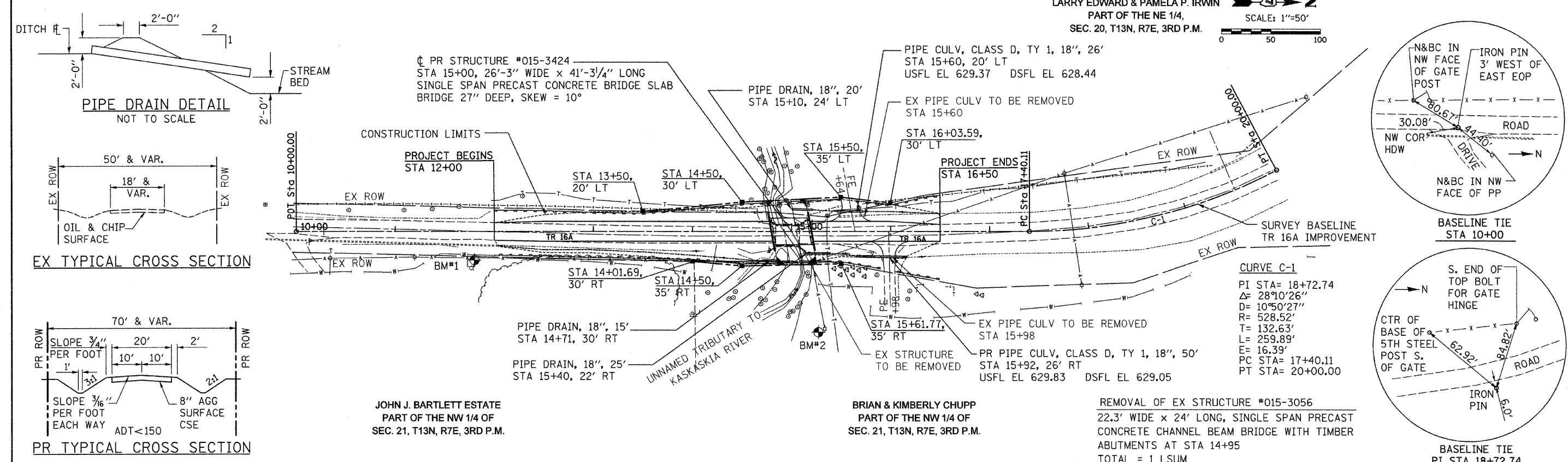
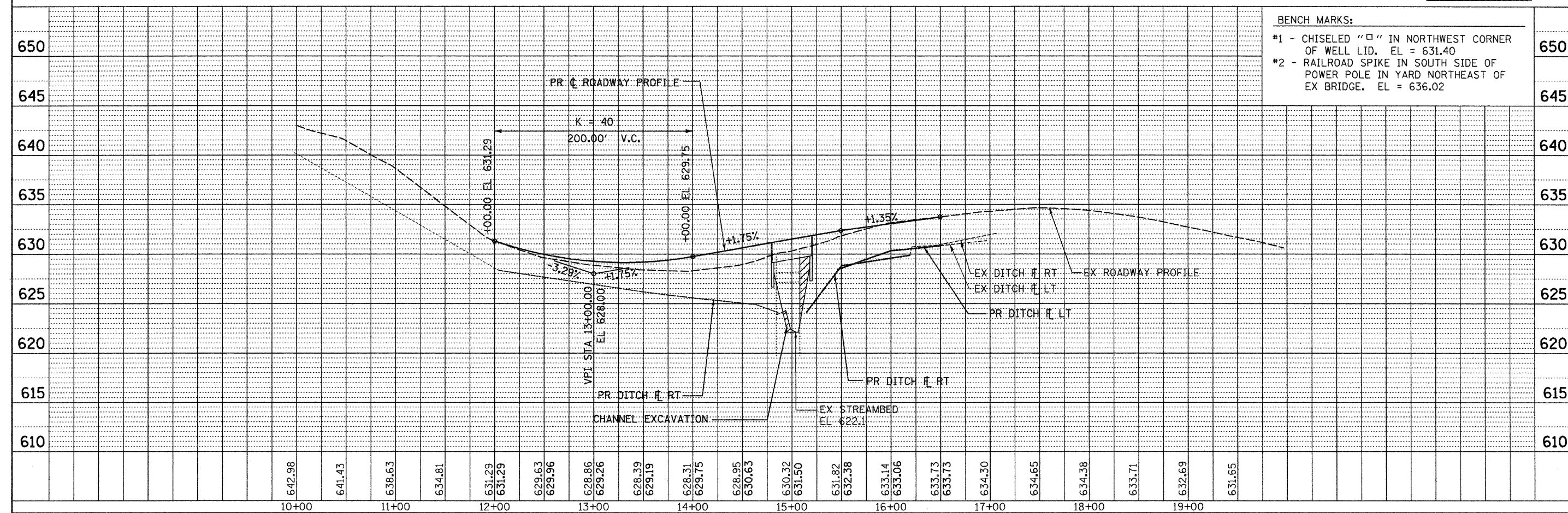


LARRY EDWARD & PAMELA P. IRWIN
 PART OF THE NE 1/4,
 SEC. 20, T13N, R7E, 3RD P.M.
 SCALE: 1"=50'



| | |
|------|--|
| DATE | |
| BY | |
| DATE | |
| BY | |
| DATE | |
| BY | |
| DATE | |
| BY | |

| | |
|------|--|
| DATE | |
| BY | |
| DATE | |
| BY | |
| DATE | |
| BY | |
| DATE | |
| BY | |



| | | | | | | | | |
|---------------------------------|-----------------------------------|-----------------------|-----------|-----------------------|----------------|---------------------------|--------------|--------------------------|
| FILE NAME = | USER NAME = .USER. | DESIGNED <i>RH</i> | REVISED - | RTE. | SECTION | COUNTY | TOTAL SHEETS | SHEET NO. |
| ...\\0153056-001-PlanProf.dgn | | DRAWN <i>LP</i> | REVISED - | TR16A | 07-09123-00-BR | COLES | 11 | 3 |
| THE UPCHURCH GROUP, INC. | PLOT SCALE = 1"=50' | CHECKED <i>MJS</i> | REVISED - | SCALE: | | SHEET NO. OF SHEETS | | STA. 12+00 TO STA. 16+50 |
| | PLOT DATE = 2/15/2010 12:01:15 PM | DATE <i>2/15/2010</i> | REVISED - | FED. ROAD DIST. NO. 7 | | ILLINOIS FED. AID PROJECT | | CONTRACT NO. 95624 |

STATE OF ILLINOIS
 DEPARTMENT OF TRANSPORTATION

PLAN AND PROFILE
 TR 16A OVER UNNAMED TRIBUTARY TO KASKASKIA RIVER