

**LEGEND**

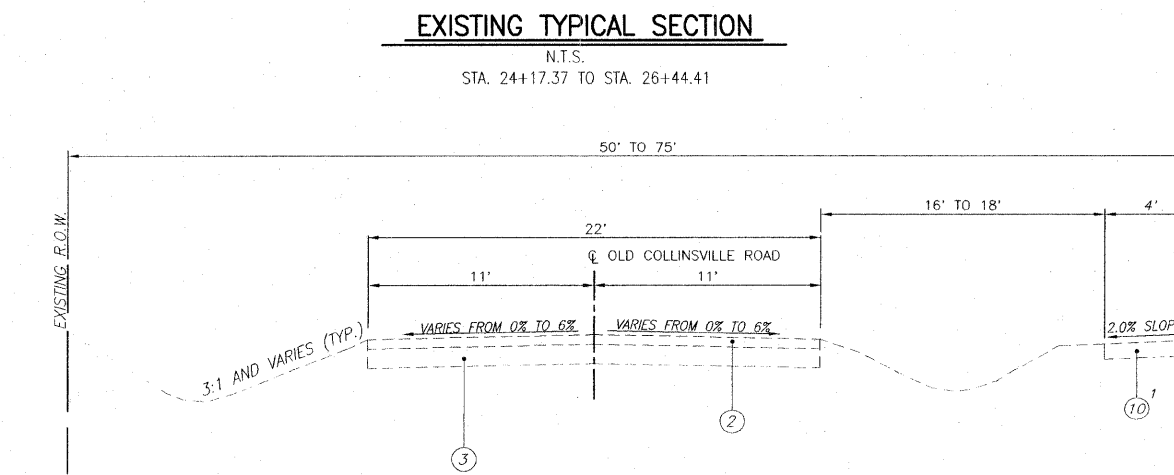
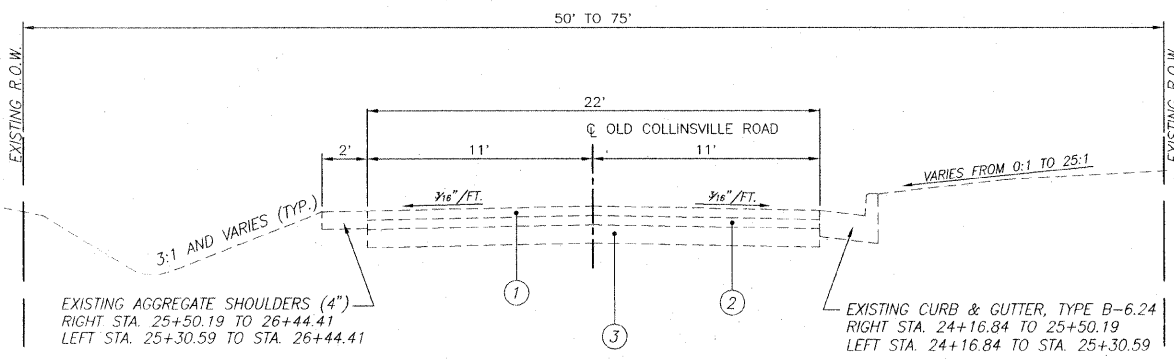
- ① EXISTING HOT-MIX ASPHALT RESURFACING (1½"-2")
- ② EXISTING OIL & CHIP PAVEMENT (±3")
- ③ EXISTING AGGREGATE BASE (±6")
- ④ HOT-MIX ASPHALT SURFACE COURSE, MIX "D", N70, 2"
- ⑤ HOT-MIX ASPHALT BINDER COURSE, IL-19.0, N70, 6"
- ⑥ LIME MODIFIED SOIL, 12"
- ⑦ COMBINATION CONCRETE CURB & GUTTER, TYPE B-6.24
- ⑧ P.C.C. SIDEWALK 4"
- ⑨ THERMOPLASTIC PAVEMENT MARKING
- ⑩ EXISTING P.C.C. SIDEWALK
- ⑪ COMBINATION CONCRETE CURB & GUTTER, TYPE B-6.12
- ⑫ COMBINATION CONCRETE CURB & GUTTER, TYPE M-6.12
- ⑬ COARSE AGGREGATE FILL
- ⑭ CONCRETE MEDIAN SURFACE, 4"
- ⑮ BITUMINOUS MATERIALS (PRIME COAT)
- ⑯ AGGREGATE PRIME COAT
- ⑰ PIPE HANDRAIL

**OLD COLLINSVILLE ROAD TYPICAL SECTIONS**

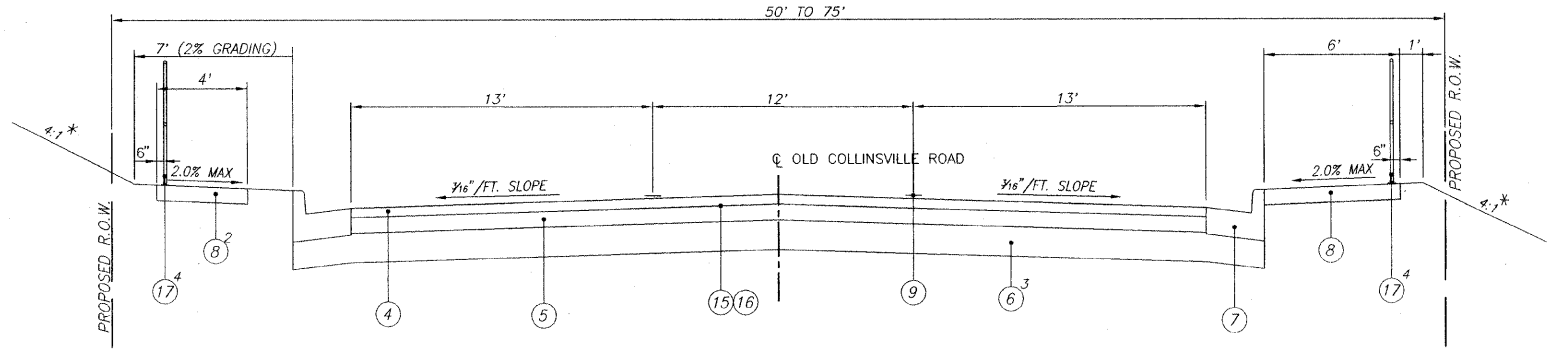
F.A.U. ROUTE	SECTION	COUNTY	TOTAL SHEETS	SHEET NUMBER
9168	05-00035-00-FP 05-00056-00-FP	ST. CLAIR	60	4
STA 24+17.37 TO		STA. 79+10.00		
FEDERAL AID PROJECT		CONTRACT 97360		

**PAVEMENT DESIGN**

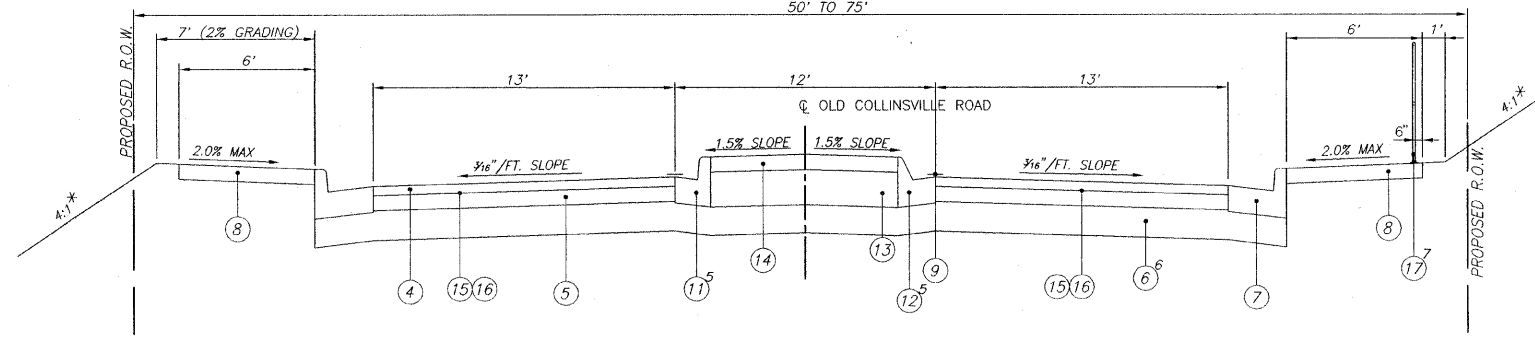
STRUCTURAL DESIGN TRAFFIC: YEAR 2018  
 PV= 11,878 SU= 269 MU= 73  
 ROAD/STREET CLASSIFICATION: URBAN COLLECTOR CLASS ROAD: II  
 PERCENT OF STRUCTURAL DESIGN TRAFFIC IN DESIGN LANE:  
 P= 50 S= 50 M= 50  
 TRAFFIC FACTOR: Actual TF= 0.485 Minimum TF= N/A  
 PG GRADE: Binder= 64-22 Surface= 64-22  
 THICKNESS - 8"  
 SUBGRADE SUPPORT RATING: POOR



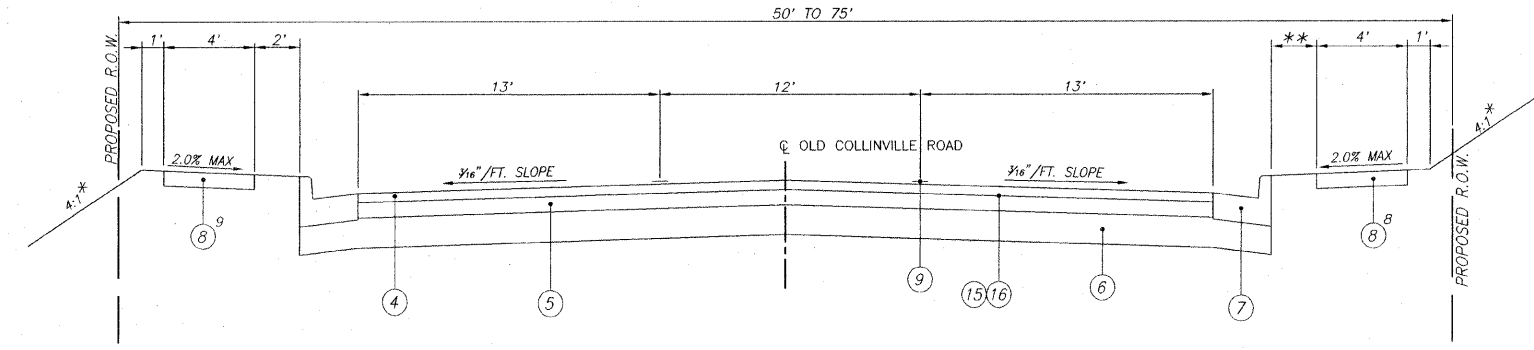
1 - STA. 41+58.79 TO STA. 47+92.22 & STA. 56+85.56 TO STA. 76+39.57



STA. 24+17.37 TO STA. 26+36.05  
 STA. 27+80.05 TO STA. 34+66.15  
 2 - 6" SIDEWALK LT. STA. 24+16.84 TO 26+36.05/STA. 27+80.05 TO 30+93.77  
 3 - SALEM PLACE TO STA. 28+00 USE SUBBASE GRANULAR MATERIAL, TYPE A  
 4 - RT. STA. 27+80.05 TO STA. 29+50 & LT. STA. 29+06 TO STA. 29+70  
 \* - SEE CROSS SECTIONS FOR VARIABLE EARTH SLOPES AND ENTRANCE GRADES



STA. 26+36.05 TO STA. 27+80.05  
 5 - SEE PLAN SHEETS FOR CURB & GUTTER LIMITS  
 6 - SALEM PLACE TO STA. 28+00 SUBBASE GRANULAR MATERIAL, TYPE A  
 7 - RT. STA. 27+18 TO 27+80.05  
 \* - SEE CROSS SECTIONS FOR VARIABLE EARTH SLOPES AND ENTRANCE GRADES



STA. 34+66.15 TO STA. 79+10.00  
 8 - STA. 34+66.15 TO STA. 41+58.79/STA. 47+92.22 TO STA. 56+85.56  
 9 - STA. 34+66.15 TO STA. 76+40.00  
 \* - SEE CROSS SECTIONS FOR VARIABLE EARTH SLOPES AND ENTRANCE GRADES  
 \*\* - WIDTH VARIES SEE PLAN SHEETS