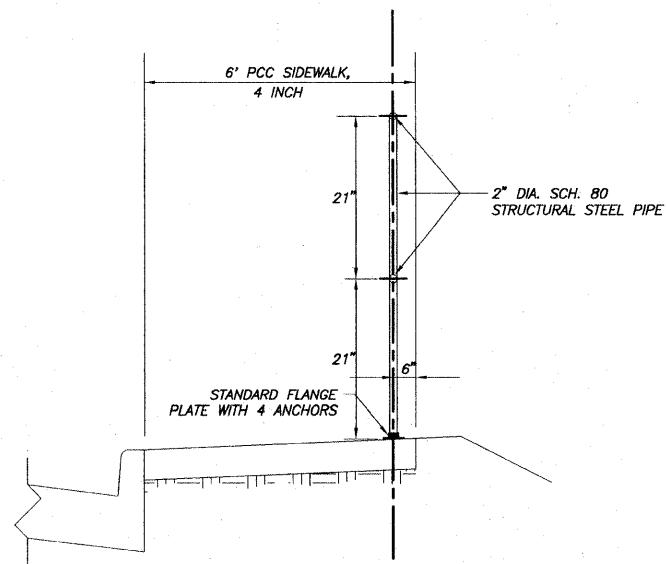
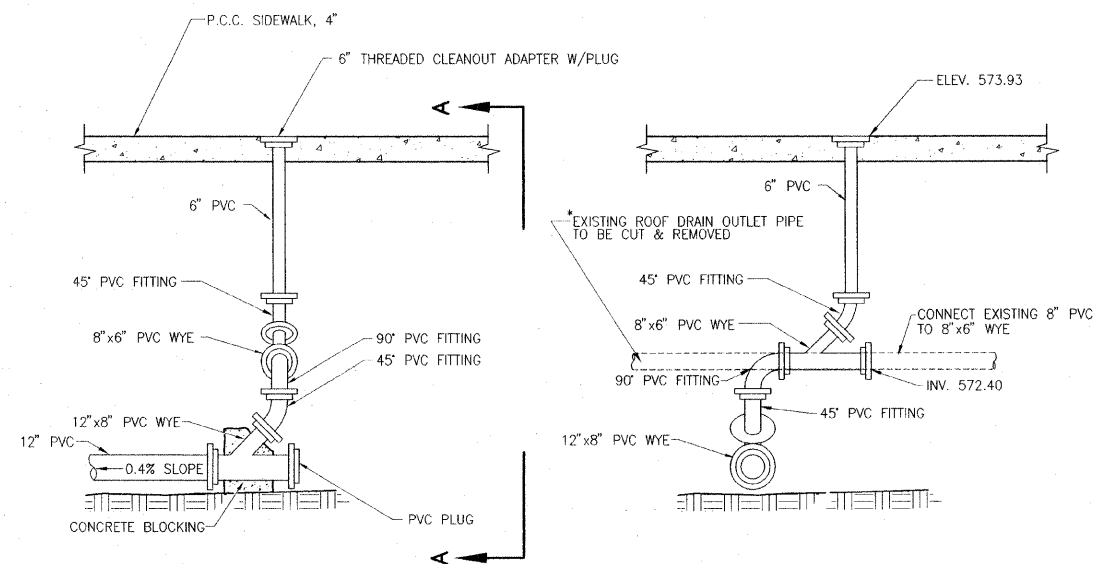


| F.A.U. ROUTE | SECTION | COUNTY | TOTAL SHEETS | SHEET NUMBER |
|---------------------|----------------------------------|----------------|--------------|--------------|
| 9168 | 05-00035-00-FP 05-00056-00-FP | ST. CLAIR | 60 | 39 |
| STA 24+17.37 TO | | STA. 79+10.00 | | |
| FEDERAL AID PROJECT | | CONTRACT 97360 | | |



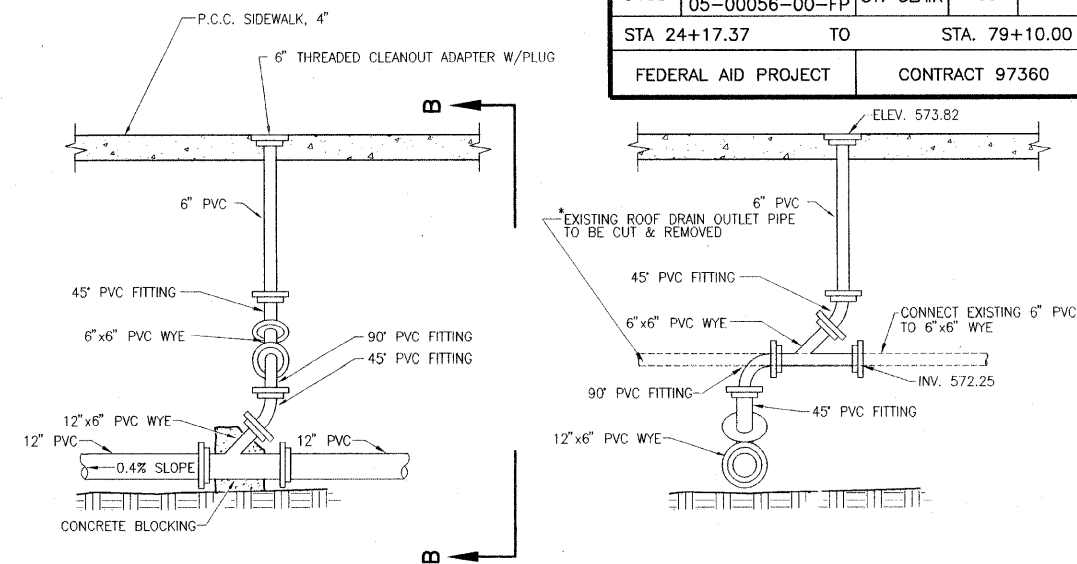
PIPE HANDRAIL
RT. STA. 27+18 TO 29+50
LT. STA. 29+06 TO 29+70
N.T.S.

NOTE: 8.0' MAX. POST SPACING

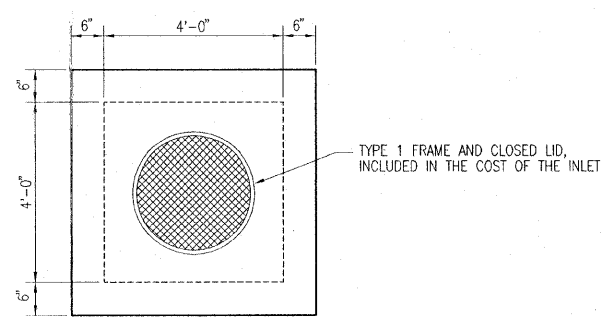


SECTIONAL VIEW (LOOKING EAST)
SECTION A-A
ROOF DRAIN COLLECTION NETWORK - STATION 53+85.35
N.T.S.

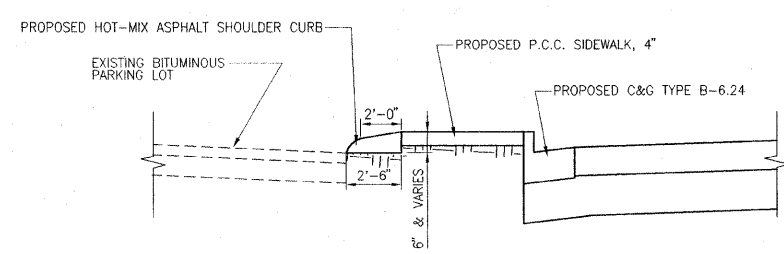
NOTE: COST INCLUDED IN PRICE OF ROOF DRAIN COLLECTION NETWORK



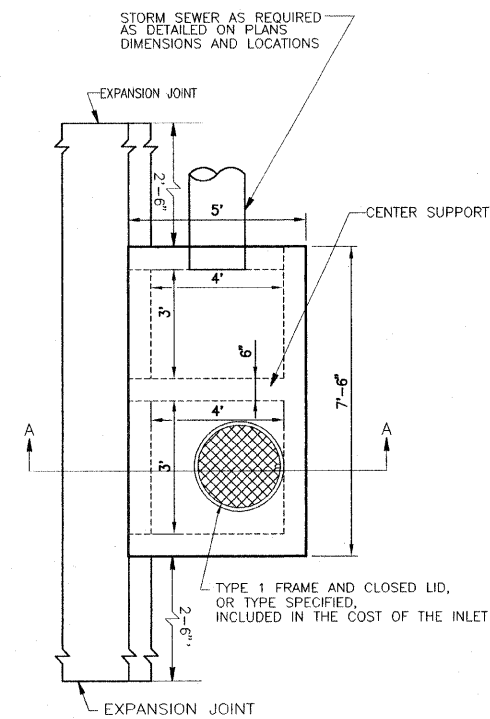
SECTIONAL VIEW (LOOKING EAST)
SECTION B-B
ROOF DRAIN COLLECTION NETWORK - STATION 54+54.31
N.T.S.



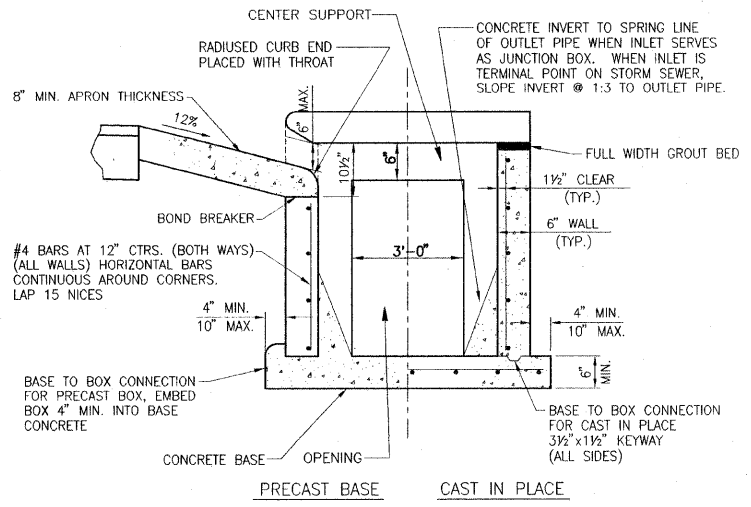
PRECAST LID DETAIL



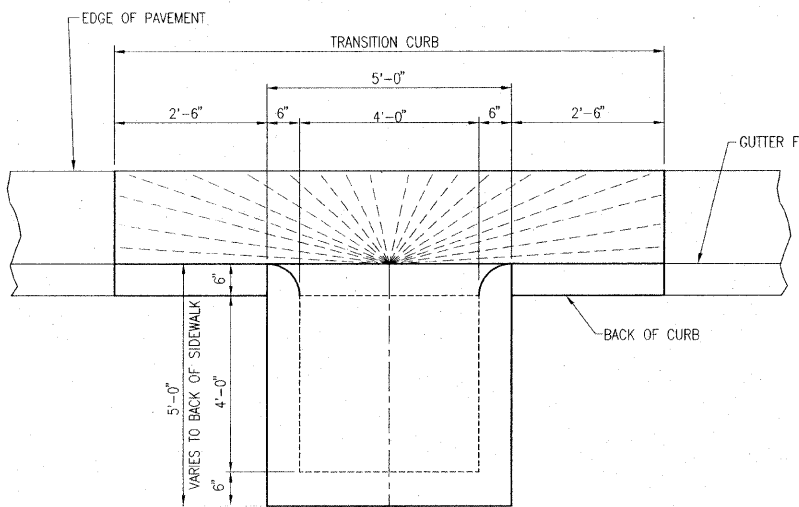
HOT-MIX ASPHALT SHOULDER CURB
STA. 30+38 TO 30+89
N.T.S.



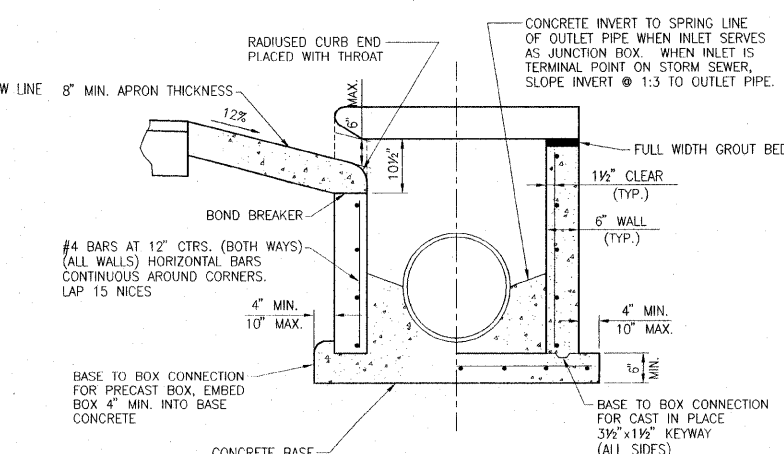
PLAN



ELEVATION A-A



PLAN



END VIEW

INLET, SPECIAL NO. 1 - 4'X4'
N.T.S.

INLET SPECIAL NO. 2 - 6'X4'
N.T.S.