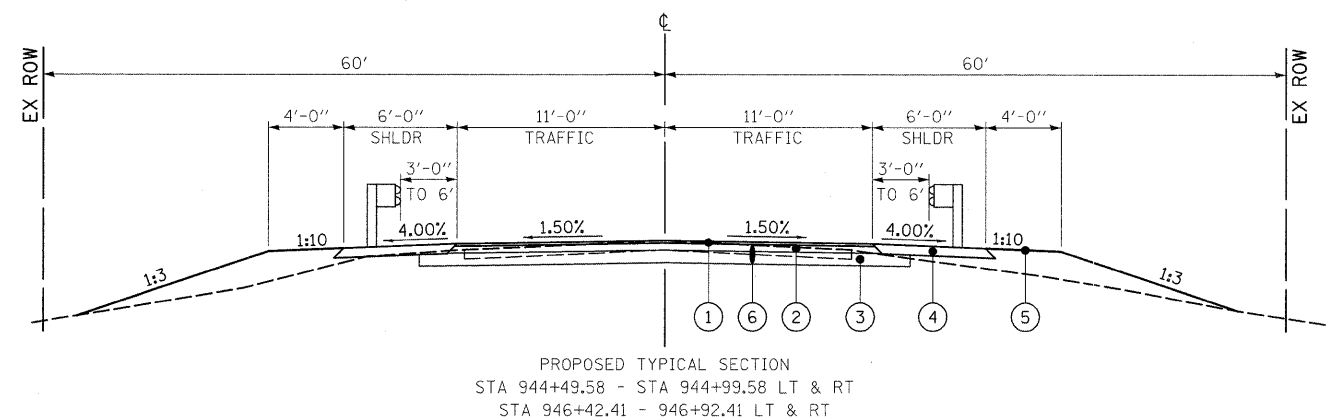
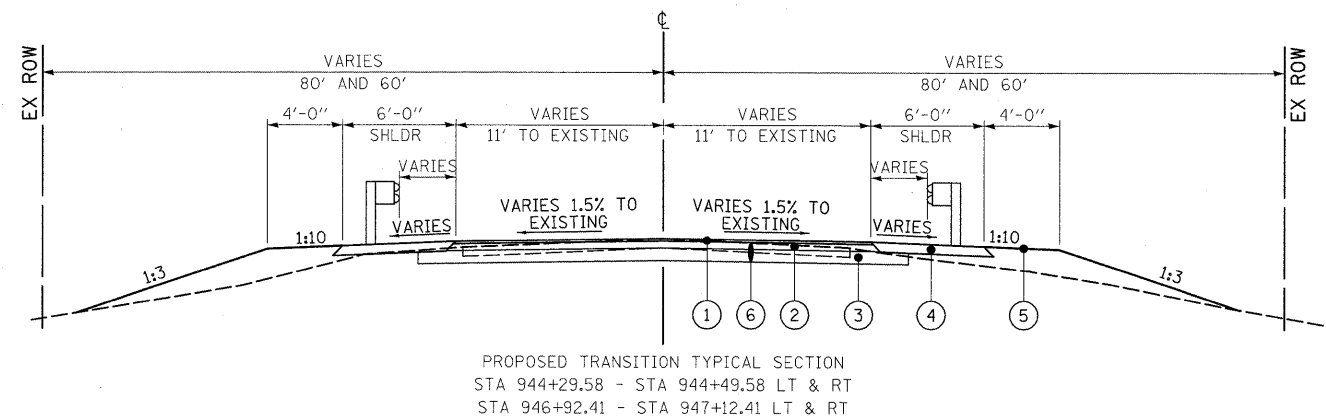


NOTE: SEE PLANS AND CROSS SECTION SHEETS FOR ACCURACY



- | | | |
|--------------------------------|--|---|
| ① EXISTING OIL & CHIP PAVEMENT | ① HOT-MIX ASPHALT SURFACE COURSE, 1.50" | ⑦ STEEL RAILING, TYPE SM (TYP) |
| ② EXISTING EARTH SHOULDER | ② HOT-MIX ASPHALT BINDER COURSE, 4.50" | ⑧ WATERPROOFING MEMBRANE SYSTEM |
| ③ EXISTING BRIDGE DECK | ③ SUB-BASE GRANULAR MATERIAL, TYPE A, 8" | ⑨ 21" x 48" PRECAST PRESTRESSED CONCRETE DECK BEAMS (TYP) |
| ④ EXISTING BRIDGE RAILING | ④ HOT-MIX ASPHALT SHOULDERS, 8" | ⑩ GROUTED KEY (TYP) |
| | ⑤ EARTH SHOULDER | ⑪ EXTERIOR BEARING PAD (TYP) |
| | ⑥ BITUMINOUS MATERIALS (PRIME COAT) | ⑫ INTERIOR BEARING PAD (TYP) |

LAST SAVED = 1/26/2010 10:27:06 AM
 PLOT DRIVER = TRACER2004-10-File.plt

FILE NAME =	USER NAME = bschmidt	DESIGNED -	REVISED -
1:\09\06300\cad\1\construction_plans\004	typicals.dgn	DRAWN -	REVISED -
PLOT SCALE = 5.0002' / IN.	CHECKED -	REVISED -	REVISED -
PLOT DATE = 1/26/2010 10:27:06 AM	DATE -	REVISED -	REVISED -



**WASHINGTON COUNTY
HIGHWAY DEPARTMENT**

TYPICAL SECTIONS

SCALE: SHEET NO. OF SHEETS STA. TO STA.

F.A.S. 836 COUNTY HIGHWAY 8		TOTAL SHEETS	SHEET NO.
CONTRACT NO. 97402		27	4
SECTION 07-00077-01-BR			