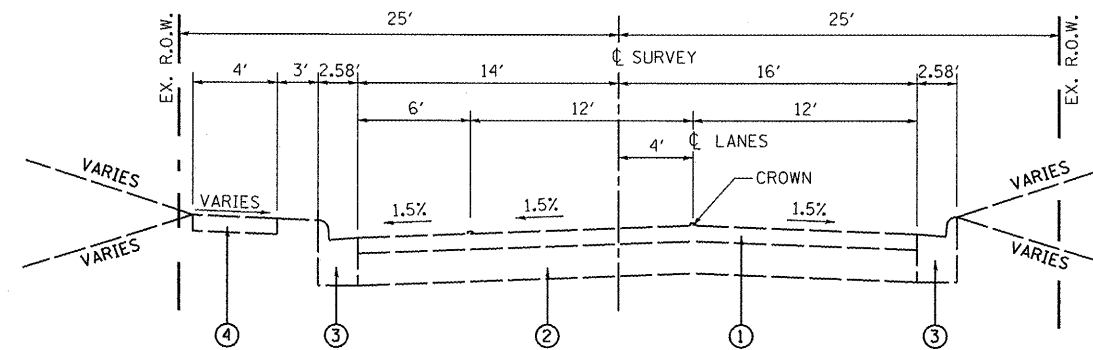


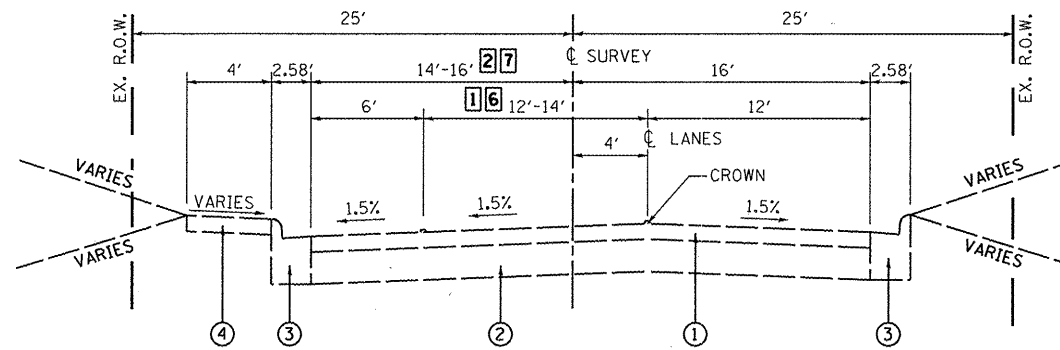
EXISTING MADISON AVENUE
 STA 15+75 TO STA 17+64 *
 (NOT TO SCALE)



EXISTING MADISON AVENUE
 STA 19+38 TO STA 20+90
 STA 27+74 TO STA 36+56.94
 (NOT TO SCALE)

LEGEND

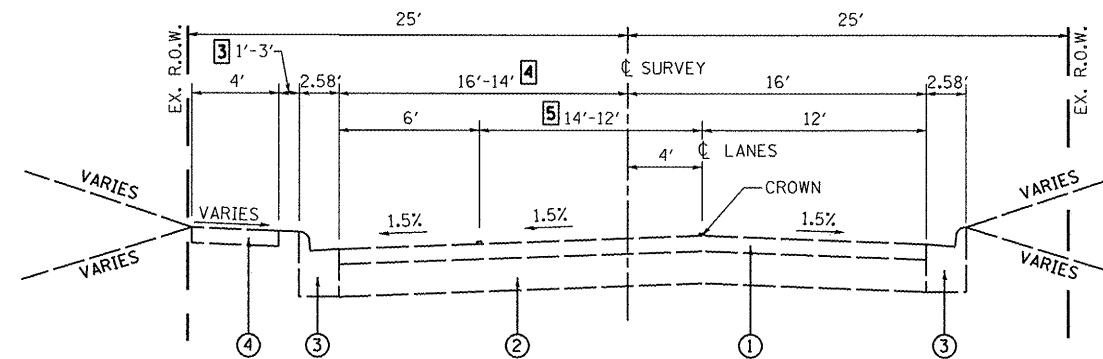
- ① EXISTING HOT-MIX ASPHALT SURFACE COURSE, 3"
- ② EXISTING HOT-MIX ASPHALT BASE COURSE, 6"
- ③ EXISTING COMBINATION CONCRETE CURB & GUTTER B-6.24
- ④ EXISTING PCC SIDEWALK, 4"
- ⑤ PROPOSED HOT-MIX ASPHALT SURFACE COURSE, MIX "C", N70, 2"
- ⑥ PROPOSED HOT-MIX ASPHALT REMOVAL, 2"
- ⑦ PROPOSED BITIMINOUS MATERIALS PRIME COAT
- ⑧ PROPOSED AGGREGATE PRIME COAT



EXISTING MADISON AVENUE
 STA 9+70.53 TO STA 15+75
 STA 20+90 TO STA 27+74
 (NOT TO SCALE)

- ① VARIES 12' TO 14' FROM STA. 15+25 TO STA. 15+75
- ② VARIES 14' TO 16' FROM STA. 15+25 TO STA. 15+75
- ③ VARIES 1' TO 3' FROM STA. 18+88 TO STA. 19+36
- ④ VARIES 14' TO 16' FROM STA. 18+88 TO STA. 19+36
- ⑤ VARIES 12' TO 14' FROM STA. 18+88 TO STA. 19+36
- ⑥ 12' WIDE FROM STA. 20+90 TO STA. 27+74
- ⑦ 14' WIDE FROM STA. 20+90 TO STA. 27+74

* OMISSION FROM STATION 17+24 TO STATION 17+96



EXISTING MADISON AVENUE
 STA 17+64 TO STA 19+38 *
 (NOT TO SCALE)

STATE OF ILLINOIS
DEPARTMENT OF TRANSPORTATION

TYPICAL SECTIONS

SCALE: NONE SHEET NO. 1 OF 2 SHEETS

F.A. RTE.	SECTION	COUNTY	TOTAL SHEETS	SHEET NO.
8892	09-00099-00-RS	MADISON	14	3
MADISON AVENUE RESURFACING			CONTRACT NO. 97413	
ILLINOIS FED. AID PROJECT				

FILE NAME =	USER NAME = travis	DESIGNED - PAM	REVISED -
H:\P\29012\Microstation\08-29012\typical.dgn		DRAWN - JTH	REVISED -
	PLOT SCALE = 40.0000' / IN.	CHECKED -	REVISED -
	PLOT DATE = 11/5/2009	DATE -	REVISED -