

PROPOSED MADISON AVENUE
STA 15+75 TO STA 17+64 •
(NOT TO SCALE)

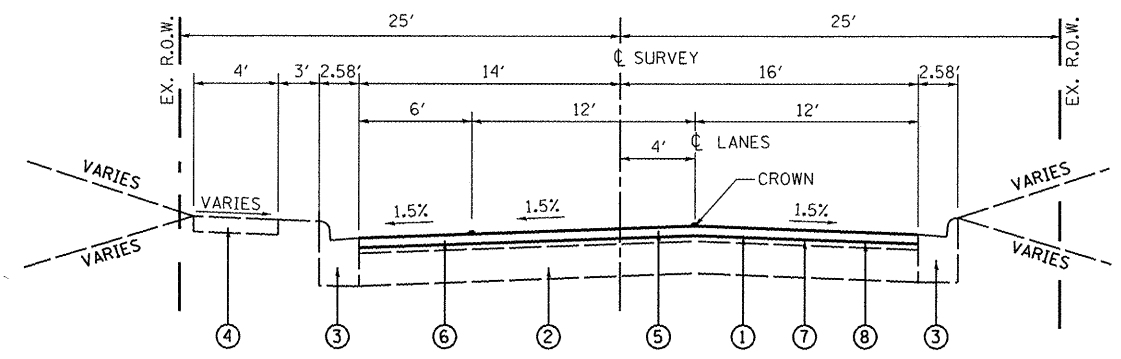
HOT-MIX ASPHALT DESIGN MIX TABLE		
MIXTURE USE	SURFACE COURSE	PAVEMENT PATCHES
THICKNESS	2"	9"
AC/PG	PG 70-22	PG 64-22
RAP % (MAX.)	10%	15%
DESIGN AIR VOIDS	4% @ Ndes = 70	4% @ Ndes = 70
MIX COMPOSITION	IL-9.5	IL-19.0
FRICTION AGGREGATE	MIXTURE C	MIXTURE B

LEGEND

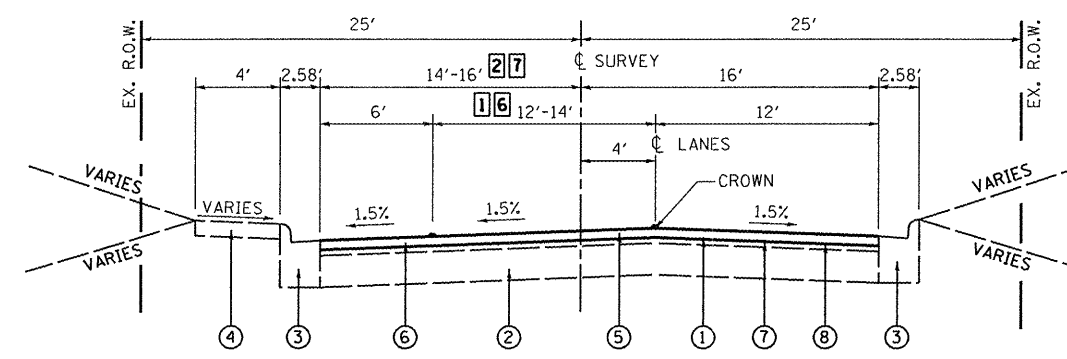
- ① EXISTING HOT-MIX ASPHALT SURFACE COURSE, 3"
- ② EXISTING HOT-MIX ASPHALT BASE COURSE, 6"
- ③ EXISTING COMBINATION CONCRETE CURB & GUTTER B-6.24
- ④ EXISTING PCC SIDEWALK, 4"
- ⑤ PROPOSED HOT-MIX ASPHALT SURFACE COURSE, MIX "C", N70, 2"
- ⑥ PROPOSED HOT-MIX ASPHALT REMOVAL, 2"
- ⑦ PROPOSED BITUMINOUS MATERIALS PRIME COAT
- ⑧ PROPOSED AGGREGATE PRIME COAT

- ① VARIES 12' TO 14' FROM STA. 15+25 TO STA. 15+75
- ② VARIES 14' TO 16' FROM STA. 15+25 TO STA. 15+75
- ③ VARIES 1' TO 3' FROM STA. 18+88 TO STA. 19+38
- ④ VARIES 14' TO 16' FROM STA. 18+88 TO STA. 19+38
- ⑤ VARIES 12' TO 14' FROM STA. 18+88 TO STA. 19+38
- ⑥ 12' WIDE FROM STA. 20+90 TO STA. 27+74
- ⑦ 14' WIDE FROM STA. 20+90 TO STA. 27+74

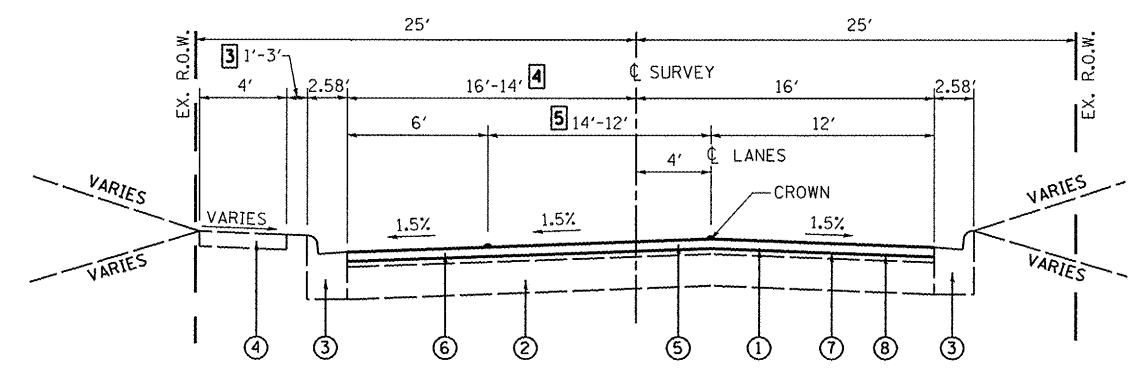
• OMISSION FROM STATION 17+24 TO STATION 17+96



PROPOSED MADISON AVENUE
STA 19+38 TO STA 20+90
STA 27+74 TO STA 36+56.94
(NOT TO SCALE)



PROPOSED MADISON AVENUE
STA 9+70.53 TO STA 15+75
STA 20+90 TO STA 27+74
(NOT TO SCALE)



PROPOSED MADISON AVENUE
STA 17+64 TO STA 19+38 •
(NOT TO SCALE)

FILE NAME =	USER NAME = travis	DESIGNED - PAM	REVISED -
H:\P\29012\Microstation\08-29012\typical.dgn		DRAWN - JTH	REVISED -
PLOT SCALE = 48.0000' / IN.		CHECKED -	REVISED -
PLOT DATE = 11/5/2009		DATE -	REVISED -

STATE OF ILLINOIS
DEPARTMENT OF TRANSPORTATION

TYPICAL SECTIONS
SCALE: NONE SHEET NO. 2 OF 2 SHEETS

F.A. RTE.	SECTION	COUNTY	TOTAL SHEETS	SHEET NO.
8892	09-00099-00-RS	MADISON	14	4
MADISON AVENUE RESURFACING			CONTRACT NO. 97413	
ILLINOIS FED. AID PROJECT				