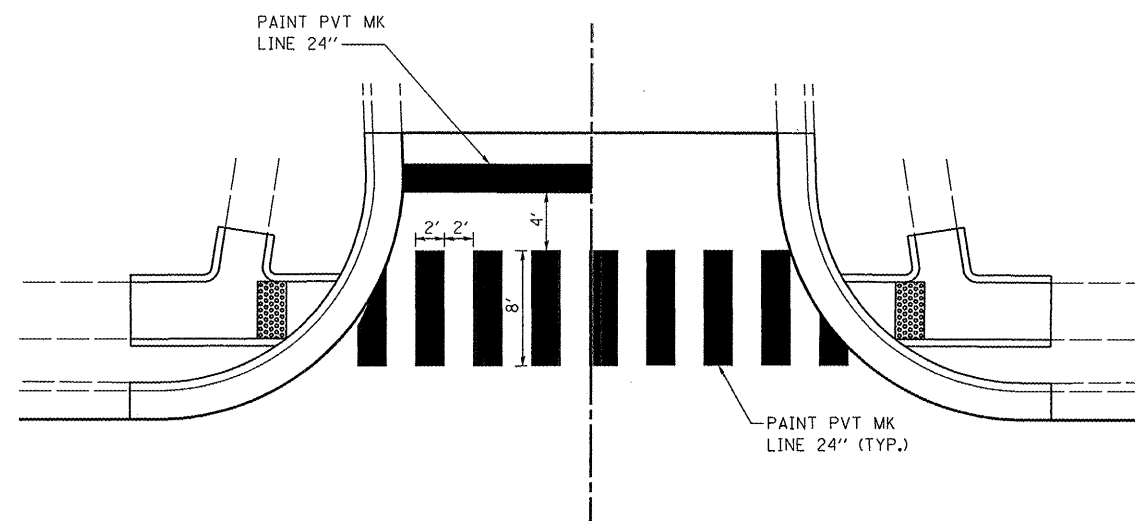
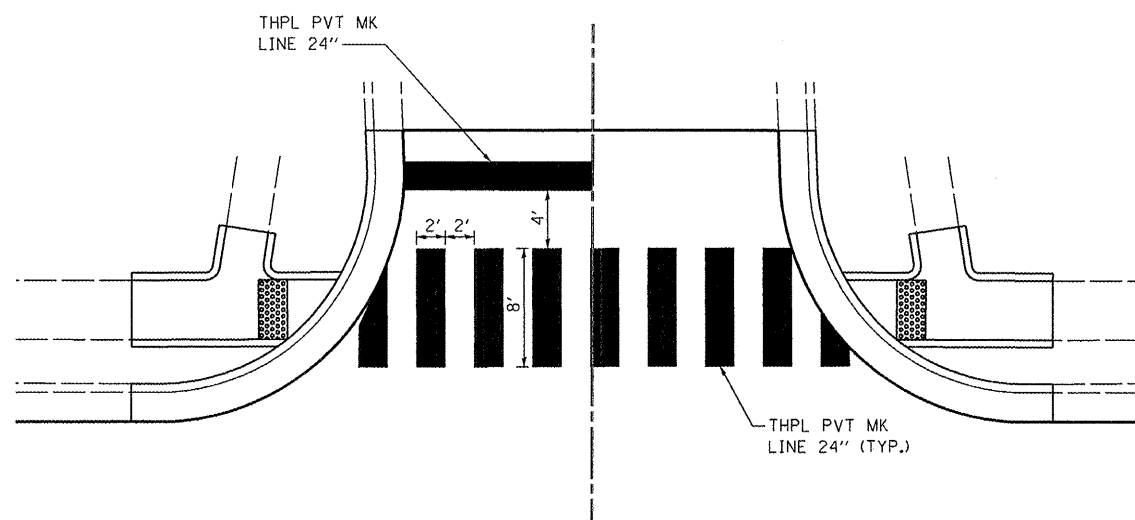


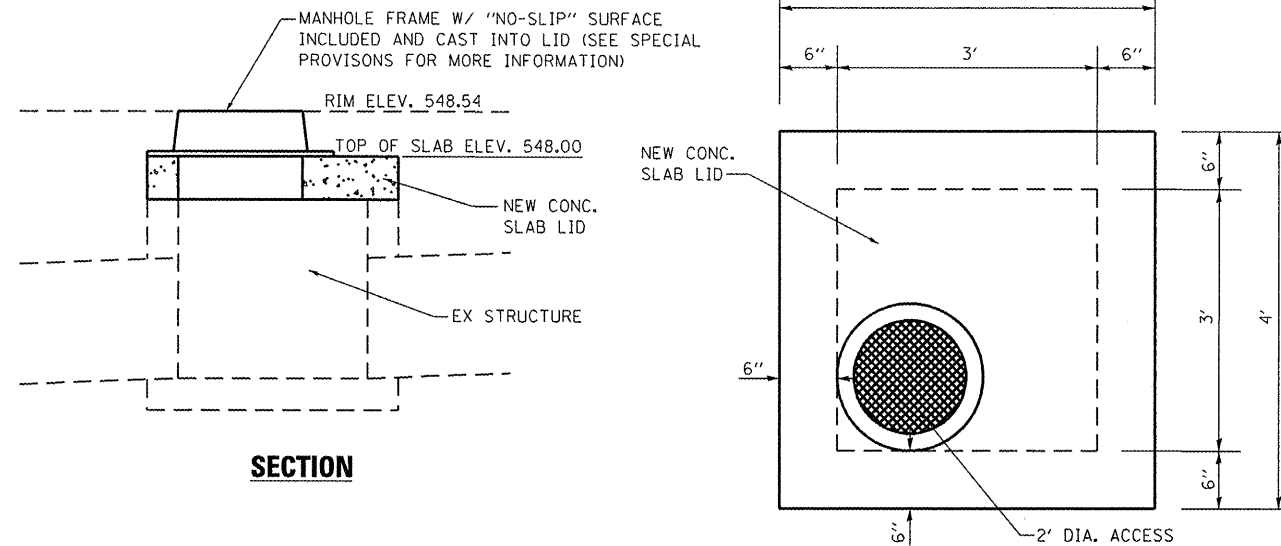
PARKING LANE STRIPING DETAILS
(NOT TO SCALE)



CROSSWALK STRIPING DETAILS ON CONCRETE PAVEMENT
(NOT TO SCALE)



CROSSWALK STRIPING DETAILS ON ASPHALT PAVEMENT
(NOT TO SCALE)

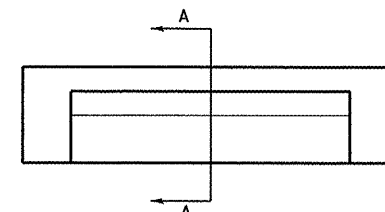


SECTION

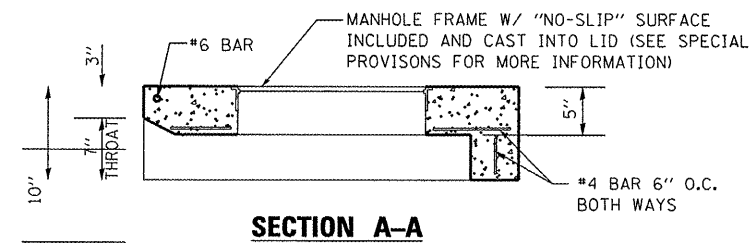
PLAN

MANHOLE ADJUSTMENT DETAIL

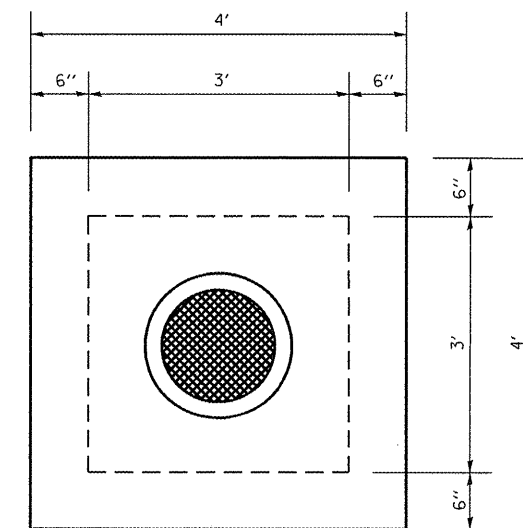
STA. 17+34, 24.24' RT
(NOT TO SCALE)



ELEVATION



SECTION A-A

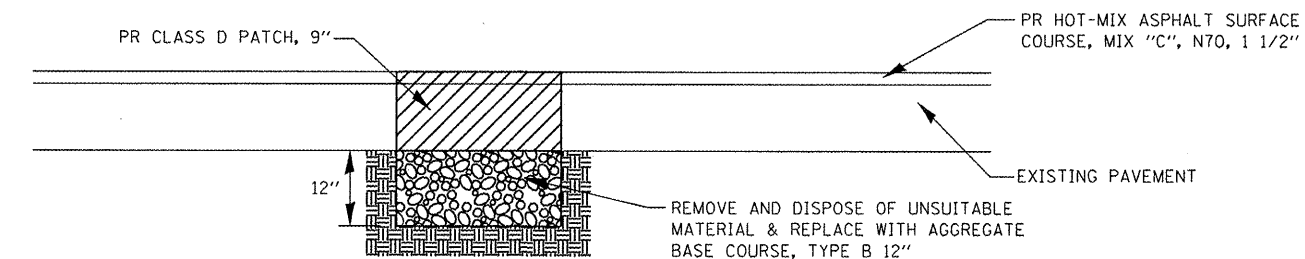


PLAN

INLET LID (SPECIAL)

(NOT TO SCALE)

NOTE: MODIFY THROAT DEPTH TO MATCH EXISTING FIELD CONDITIONS AS REQUIRED



REPAIR UNSTABLE SUBBASE DETAIL

(NOT TO SCALE)

FILE NAME =	USER NAME = travis	DESIGNED -	REVISED -
H:\P\29812\Microstation\08-29812\details.dgn		DRAWN -	REVISED -
	PLOT SCALE = 48.0000' / IN.	CHECKED -	REVISED -
	PLOT DATE = 11/6/2009	DATE -	REVISED -

STATE OF ILLINOIS
DEPARTMENT OF TRANSPORTATION

CONSTRUCTION DETAILS

SCALE: NONE SHEET NO. 1 OF 1 SHEETS

F.A.U. RTE.	SECTION	COUNTY	TOTAL SHEETS	SHEET NO.
8892	09-00099-00-RS	MADISON	14	14
MADISON AVENUE RESURFACING			CONTRACT NO. 97413	
ILLINOIS FED. AID PROJECT				