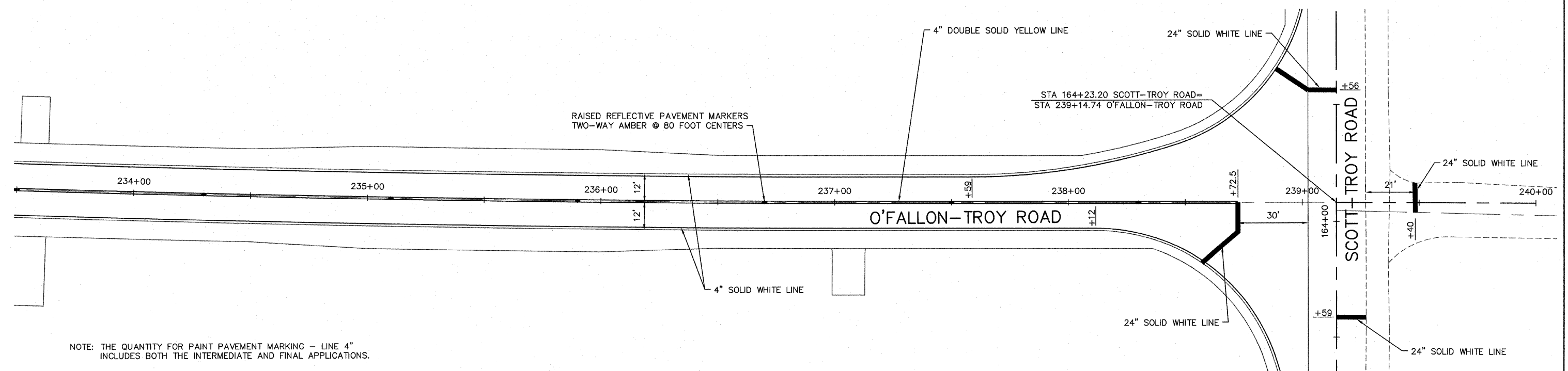
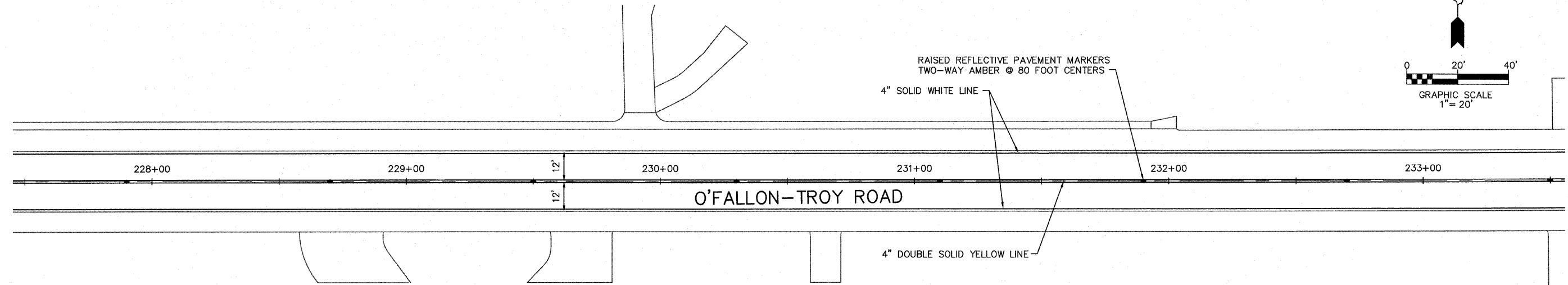
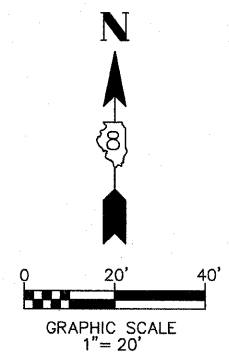
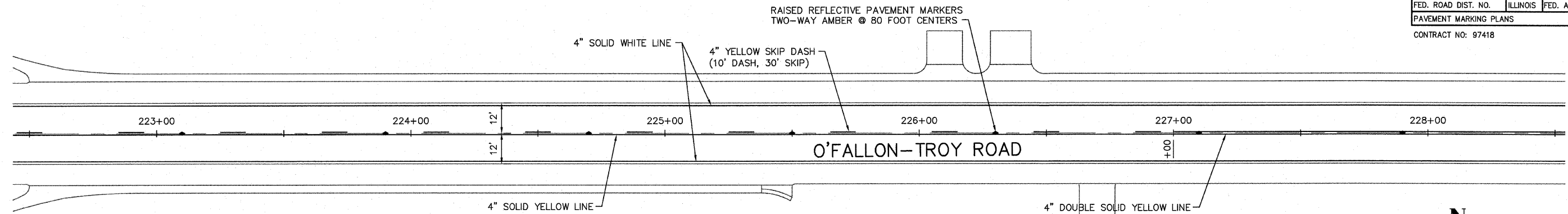


F.A. RTE.	SECTION	COUNTY	TOTAL SHEETS	SHEET NO.
9173	04-00080-06-PV	ST. CLAIR	144	82
STA.	TO STA.			
FED. ROAD DIST. NO.	ILLINOIS	FED. AID PROJECT		
PAVEMENT MARKING PLANS				

CONTRACT NO: 97418



NOTE: THE QUANTITY FOR PAINT PAVEMENT MARKING - LINE 4" INCLUDES BOTH THE INTERMEDIATE AND FINAL APPLICATIONS.