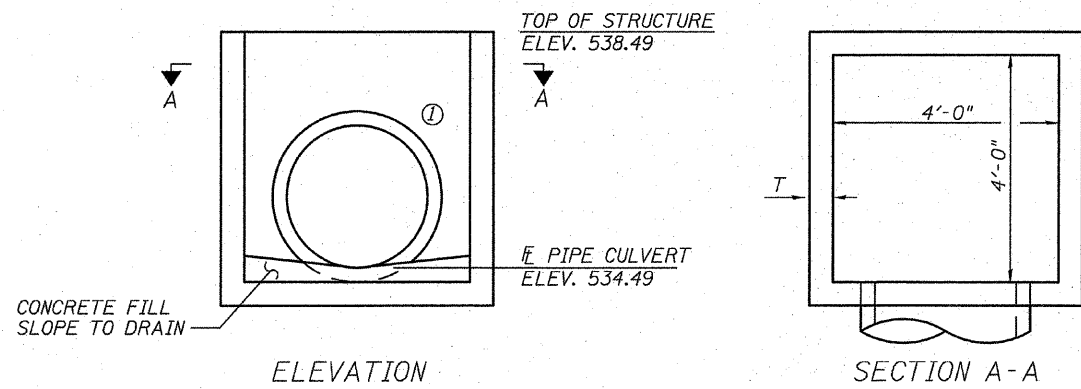
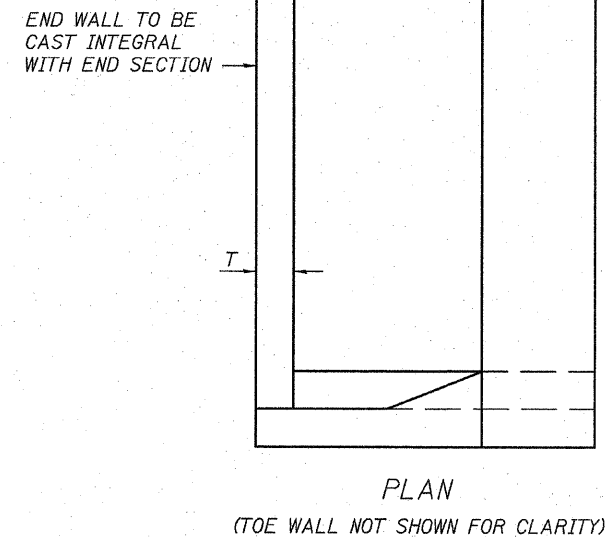
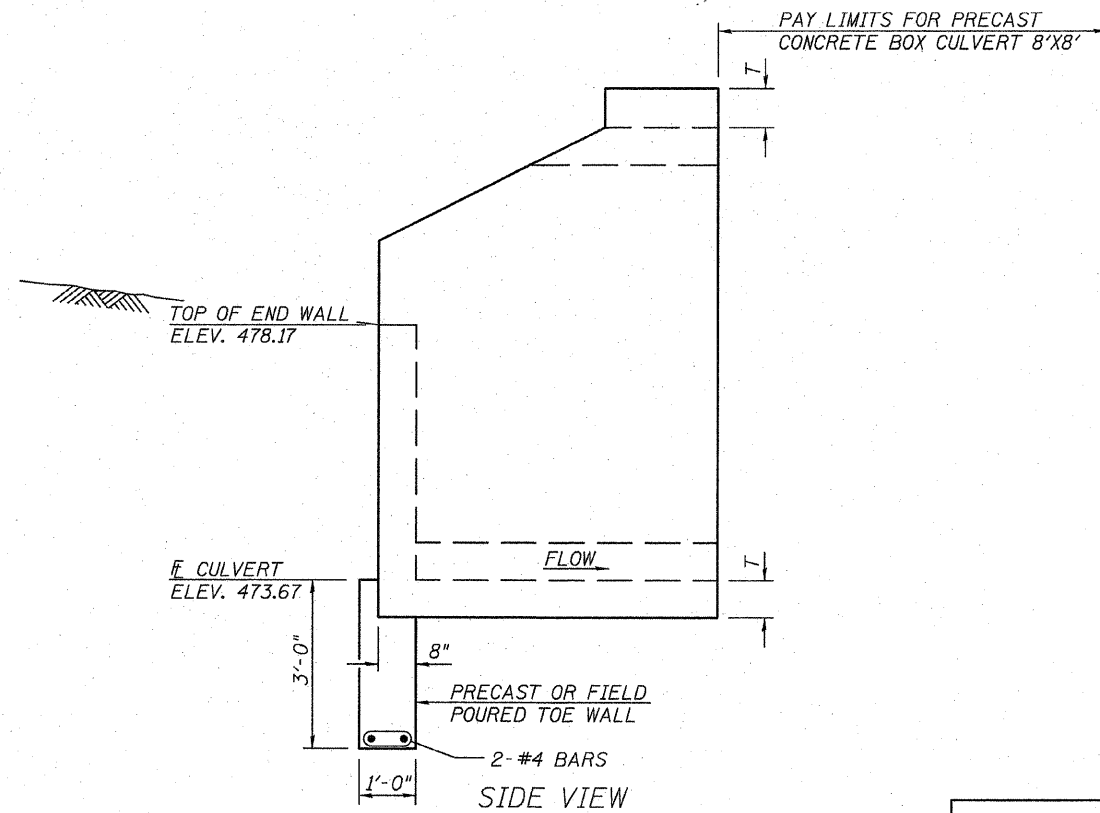


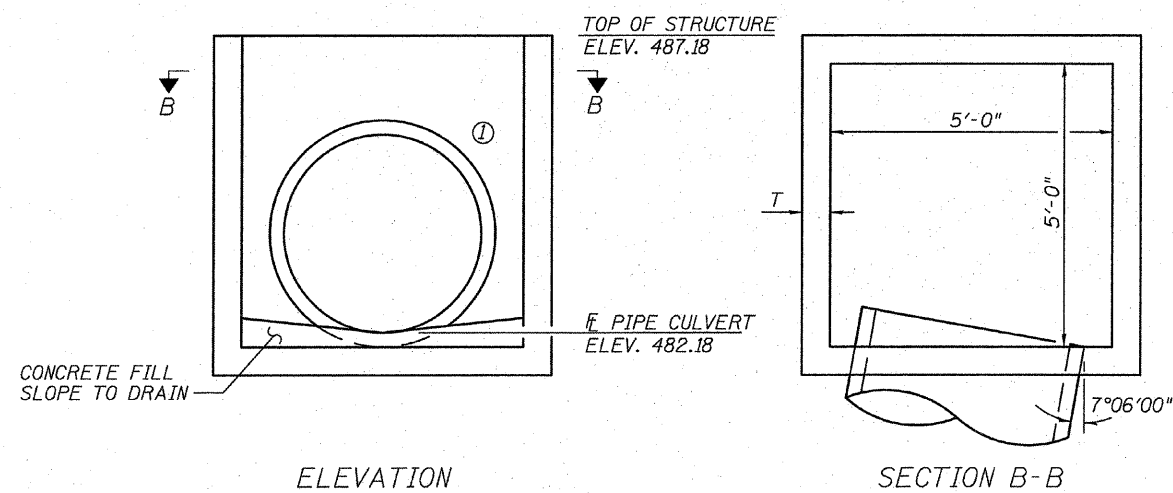
F.A. RTE.	SECTION	COUNTY	TOTAL SHEETS	SHEET NO.
9173	04-00080-06-PV	ST. CLAIR	144	87
STA.		TO STA.		
FED. ROAD DIST. NO.	ILLINOIS	FED. AID PROJECT		
DRAINAGE STRUCTURAL DETAILS				
CONTRACT NO: _____				



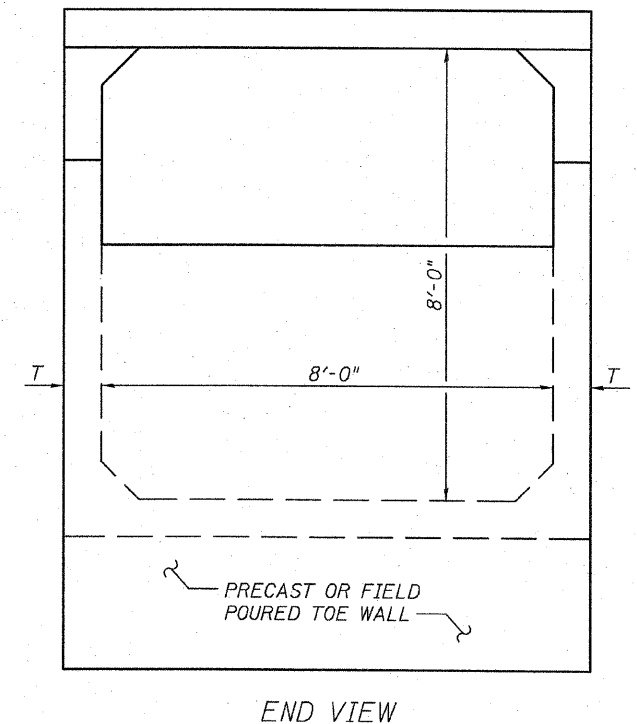
DRAINAGE STRUCTURE, SPECIAL, 4X4 ③
STA 195+60 RT



PRECAST CONCRETE BOX CULVERT END SECTION, SPECIAL ③
STA 215+66 LT



DRAINAGE STRUCTURE, SPECIAL, 5X5 ③
STA 221+09 LT



- NOTES:
- ① PROVIDE HOLE IN WALL OF DRAINAGE STRUCTURE WITH DIAMETER AS REQUIRED TO FACILITATE CONNECTION OF PIPE PIPE CULVERT. PIPE CULVERT SHOWN FOR APPROXIMATE LOCATION; HOLE IN WALL NOT SHOWN FOR CLARITY. FOR PIPE CULVERT DETAILS, SEE DRAINAGE PLANS.
 - ② DIMENSION T AND OTHER DIMENSIONS NOT SHOWN ARE AS REQUIRED BY DESIGN.
 - ③ SEE SPECIAL PROVISIONS FOR ADDITIONAL REQUIREMENTS FOR DRAINAGE STRUCTURE, SPECIAL AND PRECAST CONCRETE BOX CULVERT END SECTION, SPECIAL.