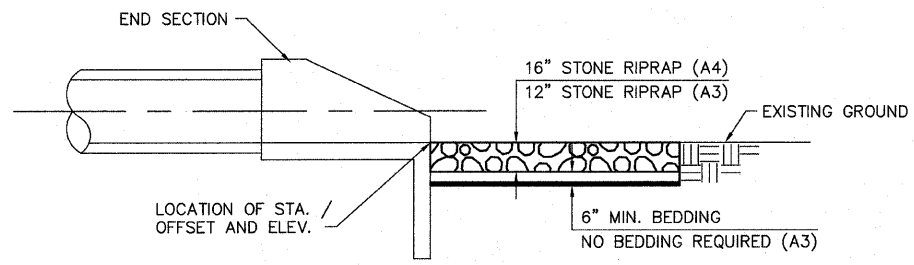
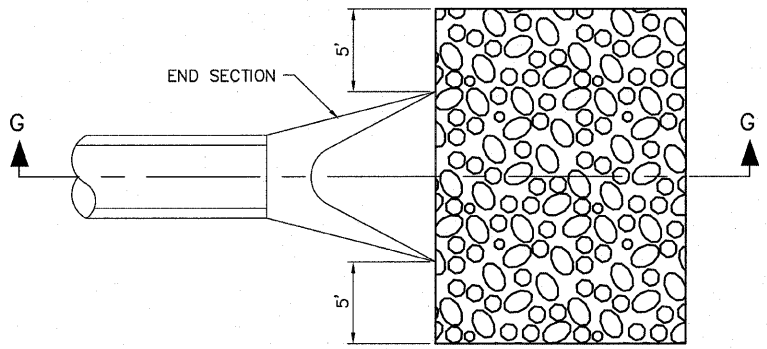


F.A. RTE.	SECTION	COUNTY	TOTAL SHEETS	SHEET NO.
9173	04-00080-06-PV	ST. CLAIR	144	88
STA. TO STA.				
FED. ROAD DIST. NO.		ILLINOIS FED. AID PROJECT		
DETAILS				

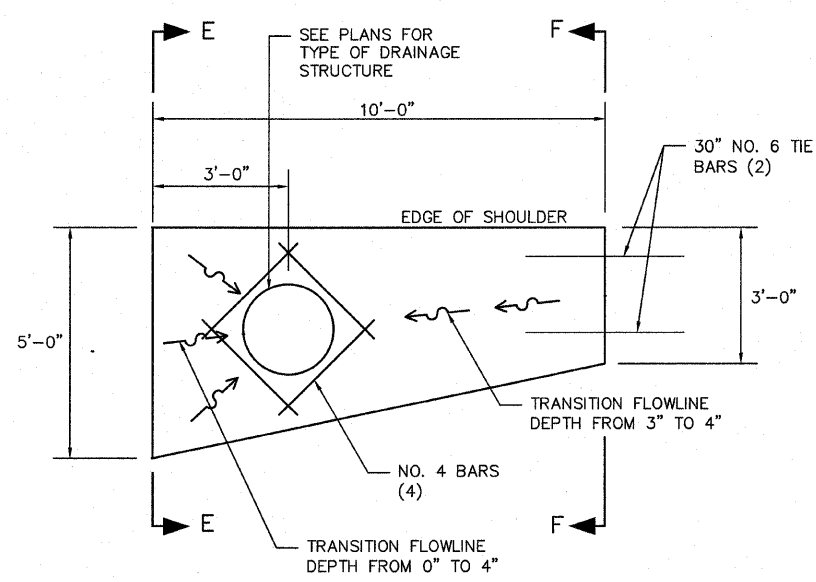
CONTRACT NO: 97418



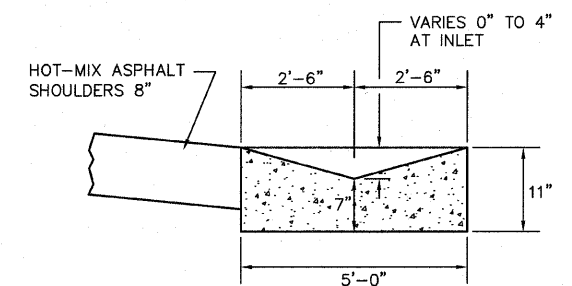
**SECTION G-G**



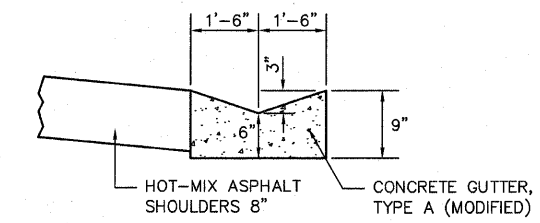
**TYPICAL RIPRAP DETAIL**  
(NOT TO SCALE)



**GUTTER OUTLET**



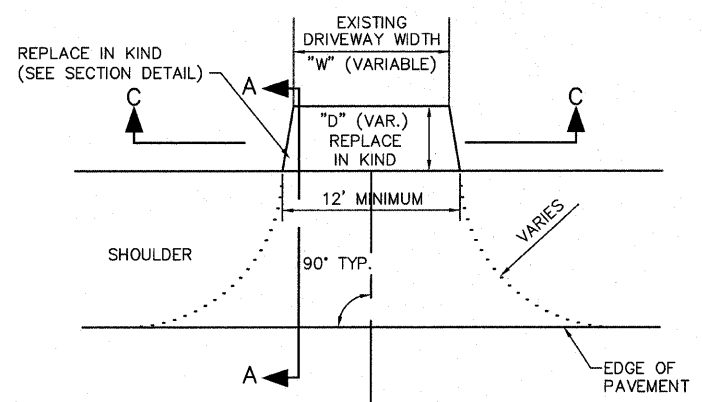
**SECTION E-E**



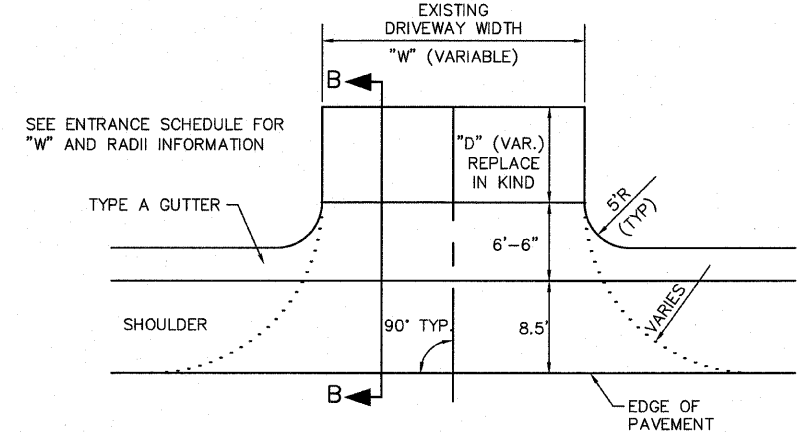
**SECTION F-F**

**CONCRETE GUTTER, TYPE A (MODIFIED) DETAILS**  
(NOT TO SCALE)

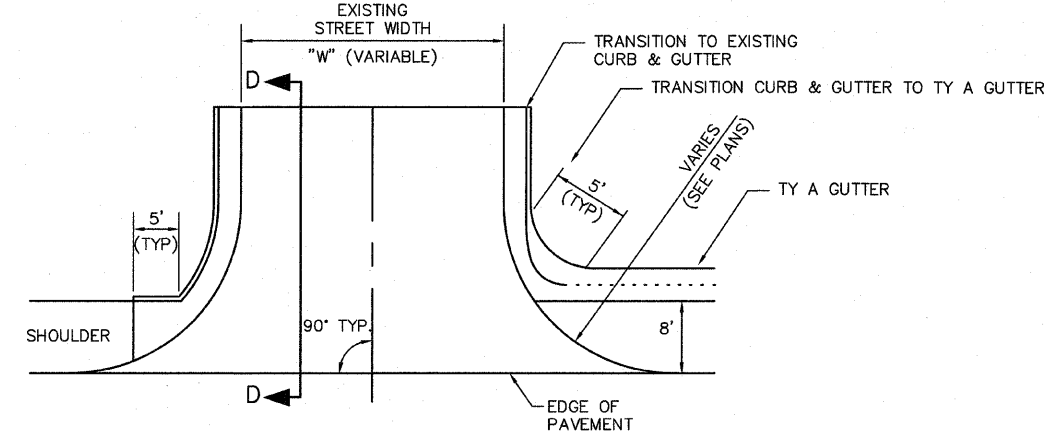
- NOTES:**
1. SEE PLAN FOR LOCATIONS OF CONCRETE GUTTER, TYPE A (MODIFIED).
  2. SEE SPECIAL PROVISIONS FOR ADDITIONAL INFORMATION.



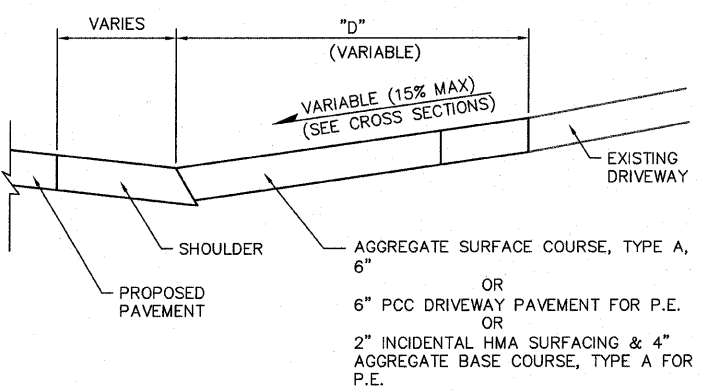
**TYPICAL PRIVATE & FIELD ENTRANCE DETAIL**  
(NOT TO SCALE)



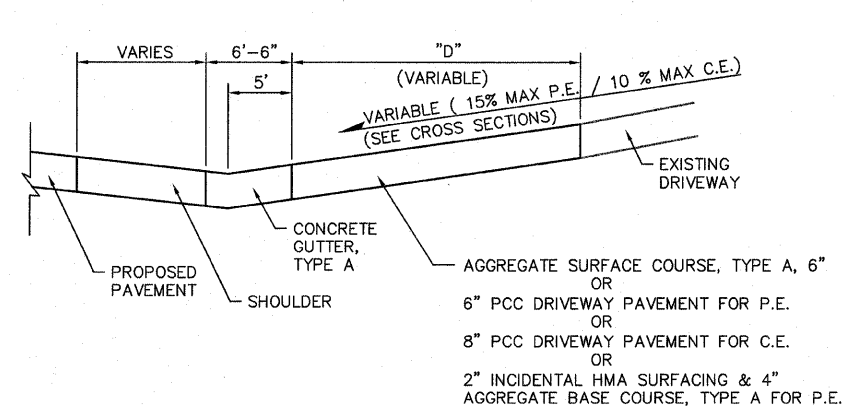
**TYPICAL PRIVATE, COMMERCIAL, & FIELD ENTRANCE AT TYPE A GUTTER DETAIL**  
(NOT TO SCALE)



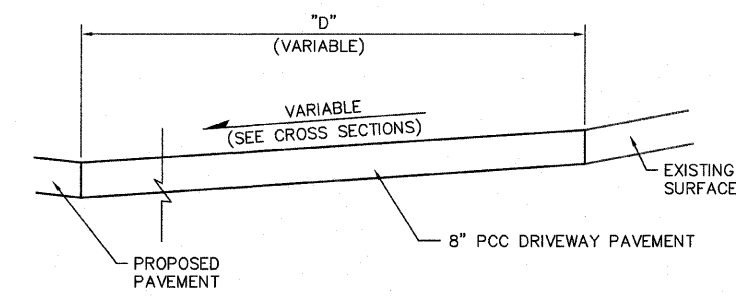
**TYPICAL SIDE ROAD DETAIL**  
(NOT TO SCALE)



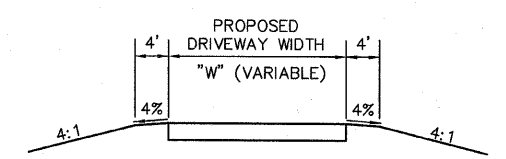
**SECTION A-A**  
(NOT TO SCALE)



**SECTION B-B**  
(NOT TO SCALE)



**SECTION D-D**  
(NOT TO SCALE)



**SECTION C-C**  
(NOT TO SCALE)